



US00D455866S

(12) **United States Design Patent** (10) **Patent No.:** **US D455,866 S**
Baltierra (45) **Date of Patent:** **** Apr. 16, 2002**

(54) **ARTIFICIAL NAIL TIP HAVING TAIL-LIKE EXTENSION**

(76) Inventor: **Julie Baltierra**, 14510 N. Creek Dr., No. 1514, Millcreek, WA (US) 98012

(**) Term: **14 Years**

(21) Appl. No.: **29/137,872**

(22) Filed: **Mar. 1, 2001**

(51) **LOC (7) Cl.** **28-03**

(52) **U.S. Cl.** **D28/56**

(58) **Field of Search** D28/4, 56, 57, D28/61; 132/73, 73.5, 75, 285; 2/21; 428/15

(56) **References Cited**

U.S. PATENT DOCUMENTS

3,487,831	A	*	1/1970	Jaume et al.	128/846
4,346,720	A	*	8/1982	Hokama	132/73
D292,624	S	*	11/1987	Otake	D28/56
D321,954	S	*	11/1991	Aylott	D28/57
5,467,787	A	*	11/1995	Mast et al.	132/73
D365,175	S	*	12/1995	La Joie	D28/56
D384,440	S	*	9/1997	Meyerovich	D28/56
5,676,165	A	*	10/1997	Bannett	132/73
5,806,537	A	*	9/1998	Wittwer	132/200

OTHER PUBLICATIONS

Modern Salon Jan. 1987, p. 89: artificial nails indicated by arrows.*

* cited by examiner

Primary Examiner—Ted Shooman

Assistant Examiner—C Tuttle

(74) *Attorney, Agent, or Firm*—Leonard Tachner

(57) **CLAIM**

The ornamental design for an artificial nail tip having tail-like extension, as shown and described.

DESCRIPTION

FIG. 1 is a three-dimensional view of the present invention; FIG. 2 is a top view of the present invention;

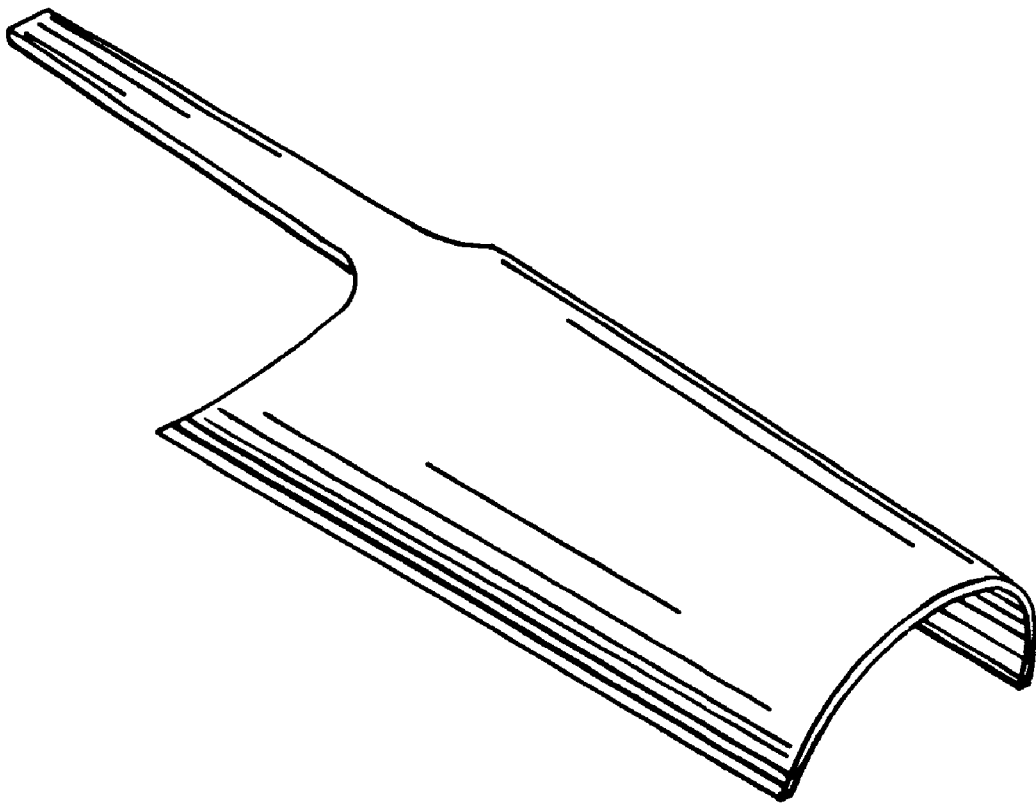
FIG. 3 is a front end view of the present invention;

FIG. 4 is a cross sectional view taken along line 4—4 of FIG. 1; and,

FIG. 5 is a top view of the present invention showing the nail tip being installed on a human nail.

The broken line showing of the finger is for illustrative purposes only and forms no part of the claimed design.

1 Claim, 1 Drawing Sheet



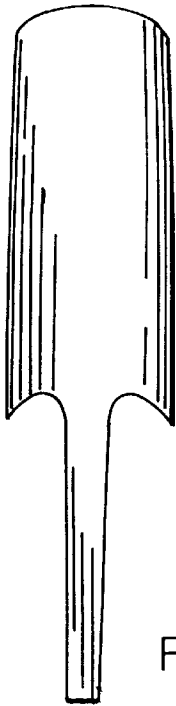


FIG. 2

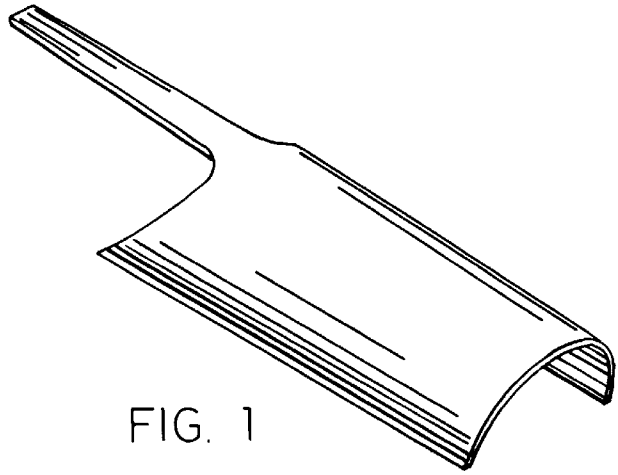


FIG. 1



FIG. 3

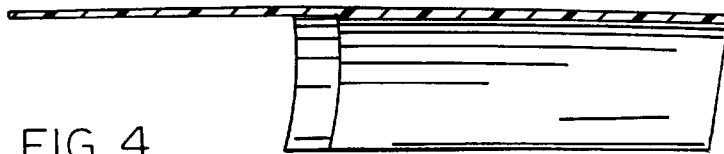


FIG. 4

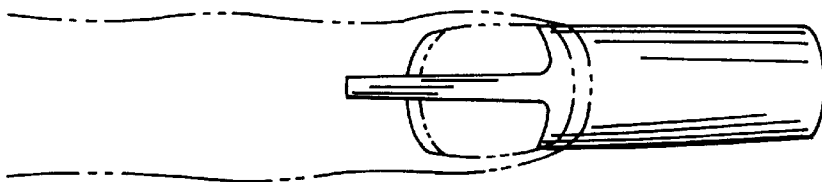


FIG. 5