



US00D413100S

United States Patent [19]

[11] Patent Number: **Des. 413,100**

Nakazawa

[45] Date of Patent: **** Aug. 24, 1999**

[54] **ELECTRICAL CONNECTOR**

OTHER PUBLICATIONS

[75] Inventor: **Yasuo Nakazawa**, Gunma, Japan
[73] Assignee: **Hosiden Corporation**, Osaka, Japan
[**] Term: **14 Years**

DIN plugs on p. 3—3 of Switchcraft catalog C90, Jul. 1990.
Plug 04AL2F on p. 1—23 of Switchcraft catalog C90, Jul. 1990.

Primary Examiner—Joel Sincavage
Attorney, Agent, or Firm—Pollock, Vande Sande & Amernick

[21] Appl. No.: **29/095,258**
[22] Filed: **Oct. 20, 1998**

[57] **CLAIM**

[30] **Foreign Application Priority Data**

The ornamental design for an electrical connector, as shown and described.

May 19, 1998 [JP] Japan 10-14345

DESCRIPTION

[51] **LOC (6) Cl.** **13-03**
[52] **U.S. Cl.** **D13/146**
[58] **Field of Search** D13/133, 146;
439/314, 315, 316, 332, 337, 644, 649,
671, 675, 680

FIG. 1 is a perspective view of an electrical connector showing my new design;
FIG. 2 is a right side elevational view of an electrical connector showing my new design;
FIG. 3 is a left side elevational view thereof;
FIG. 4 is a top plan view thereof;
FIG. 5 is a bottom plan view thereof;
FIG. 6 is a front view thereof; and,
FIG. 7 is a rear view thereof.

[56] **References Cited**

U.S. PATENT DOCUMENTS

4,550,967 11/1985 Riches et al. 339/88 R
5,067,909 11/1991 Behning 439/315

1 Claim, 2 Drawing Sheets

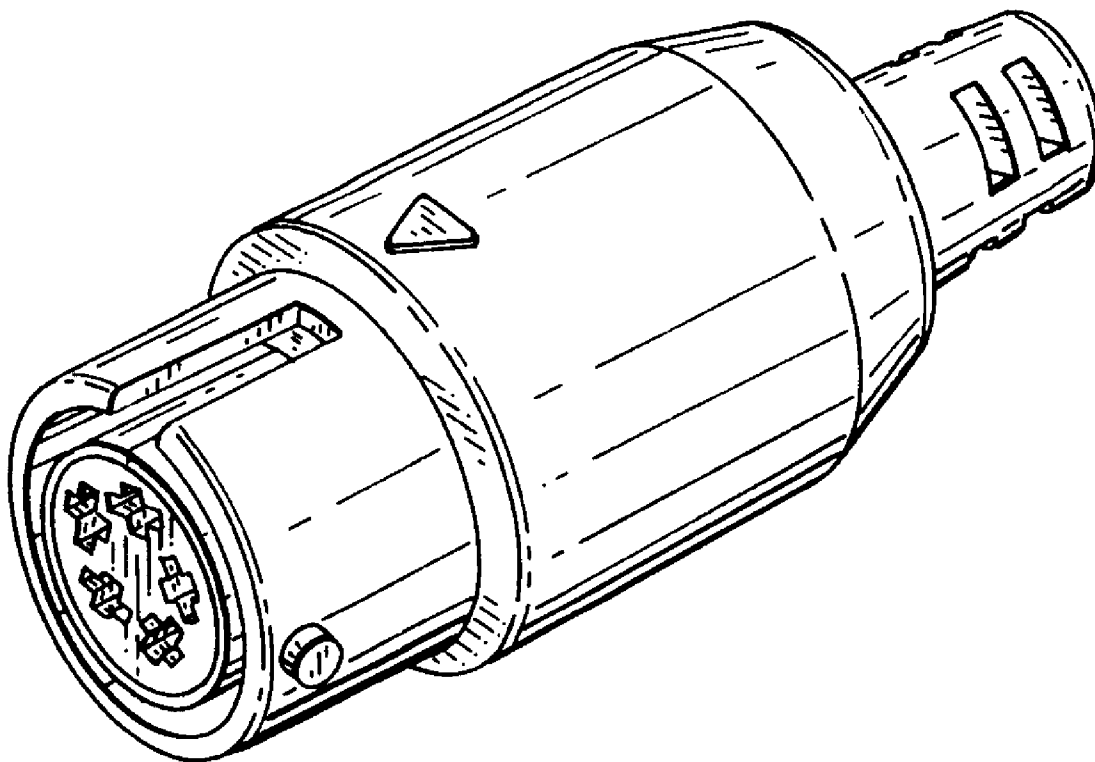


FIG. 1

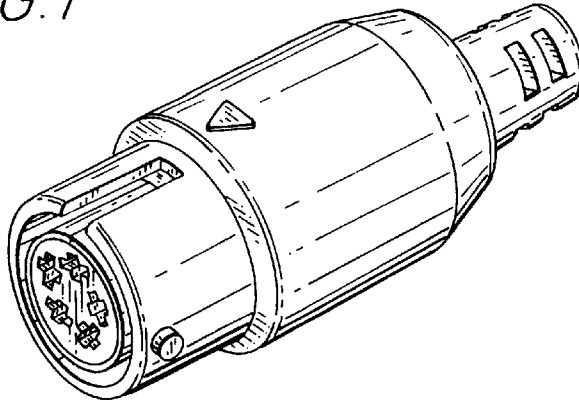


FIG. 2

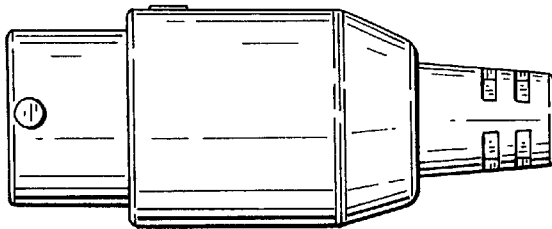


FIG. 3

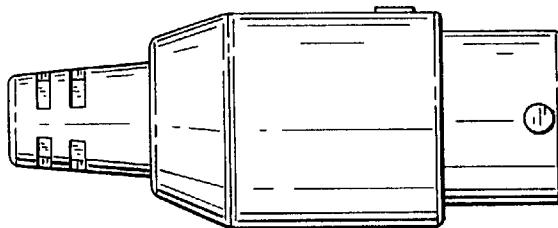


FIG. 4

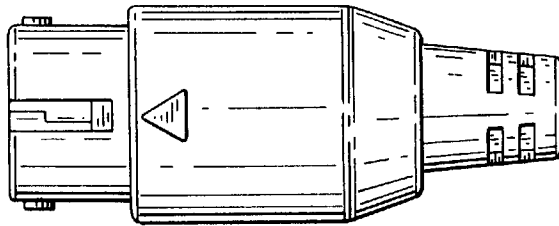


FIG. 5

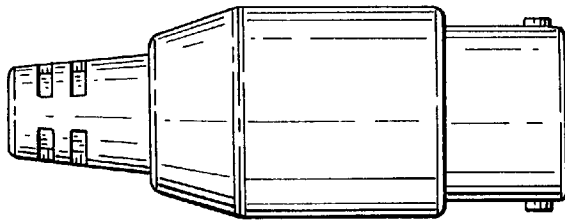


FIG. 6

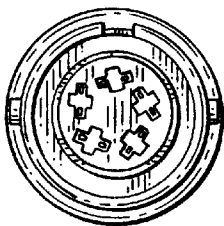


FIG. 7

