



US00D531401S

(12) **United States Design Patent**
Thurner

(10) **Patent No.:** **US D531,401 S**

(45) **Date of Patent:** **** Nov. 7, 2006**

(54) **TOOL BAG FEATURING A SINGLE TWO IN ONE POUCH**

D481,535 S * 11/2003 Cabrera et al. D3/228
D482,524 S * 11/2003 Cabrera et al. D3/228
D487,630 S * 3/2004 Martin et al. D3/228
D496,787 S * 10/2004 Cabrera et al. D3/228

(75) Inventor: **Darryl G. Thurner**, Occidental, CA (US)

* cited by examiner

(73) Assignee: **Occidental Manufacturing, Inc.**, Graton, CA (US)

Primary Examiner—Catherine R. Oliver
(74) *Attorney, Agent, or Firm*—Banner & Witcoff, Ltd.

(**) Term: **14 Years**

(57) **CLAIM**

(21) Appl. No.: **29/237,888**

The ornamental design for a tool bag featuring a single two in one pouch, as shown and described.

(22) Filed: **Sep. 8, 2005**

DESCRIPTION

(51) **LOC (8) Cl.** **03-01**

FIG. 1 is an isometric view of the design of the tool pouch of the invention;

(52) **U.S. Cl.** **D3/228**

FIG. 2 is a bottom view of the tool bag of FIG. 1;

(58) **Field of Classification Search** D3/228,

FIG. 3 is a front view of the tool bag of FIG. 1;

D3/224, 215, 221, 226; 224/904, 240, 232,

FIG. 4 is a top view of the tool pouch of FIG. 1;

224/668, 660, 676–678, 576–577, 682; 206/373

FIG. 5 is a left side view of the tool pouch of FIG. 1; and,

See application file for complete search history.

FIG. 6 is a right side view of the tool pouch bag of FIG. 1.

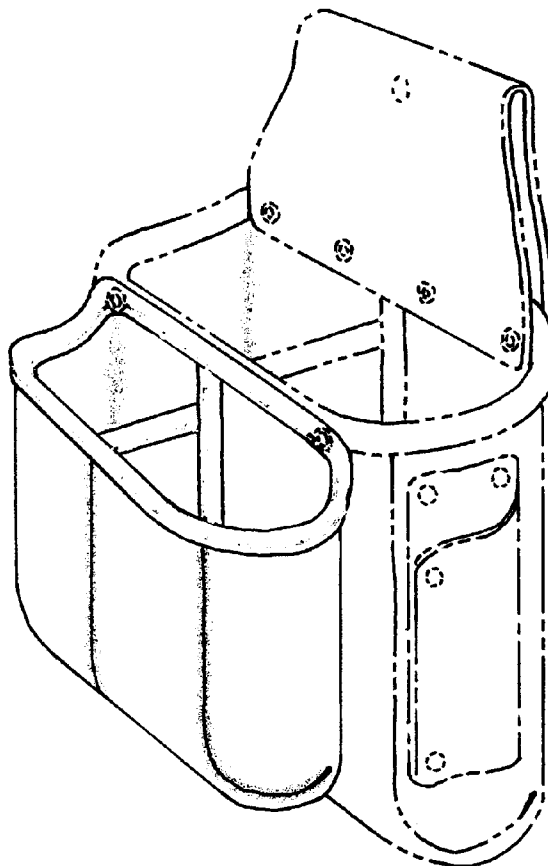
The broken line showing of environment in the drawings is for illustrative purposes only and forms no part of the claimed design.

(56) **References Cited**

U.S. PATENT DOCUMENTS

D438,701 S * 3/2001 Dancyger D3/228
D448,162 S * 9/2001 Snider D3/228

1 Claim, 3 Drawing Sheets



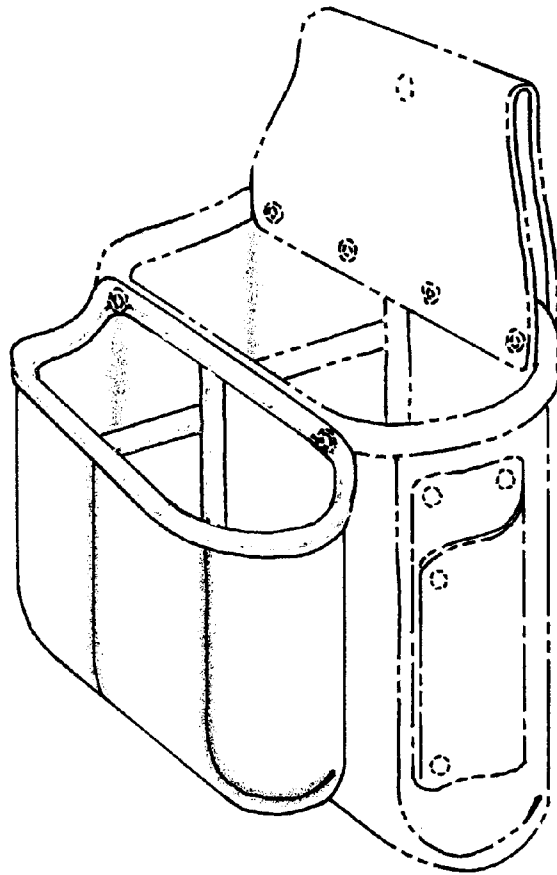


FIGURE 1

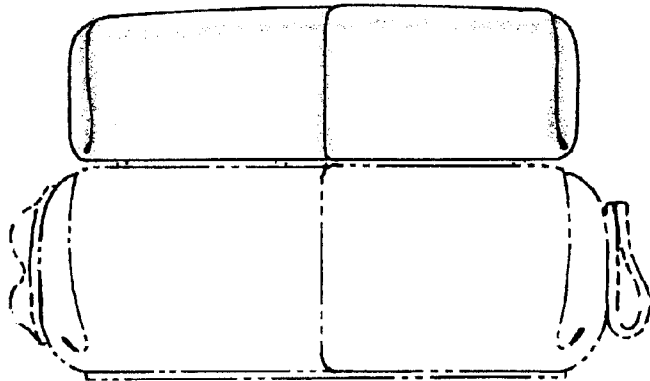


FIGURE 2

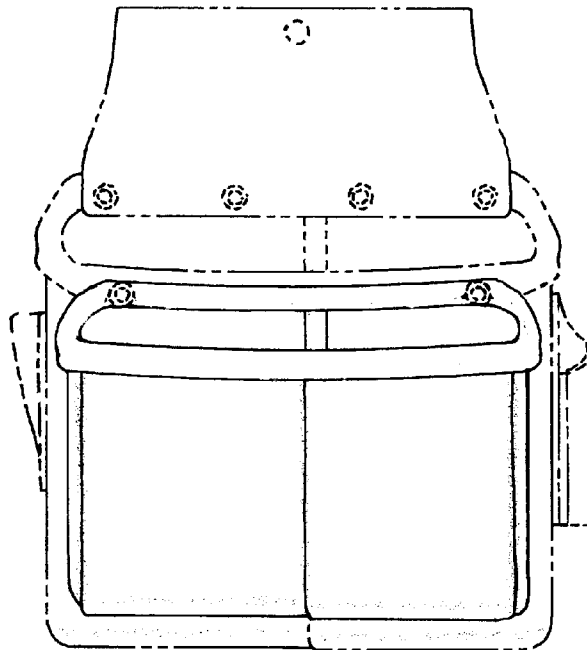


FIGURE 3

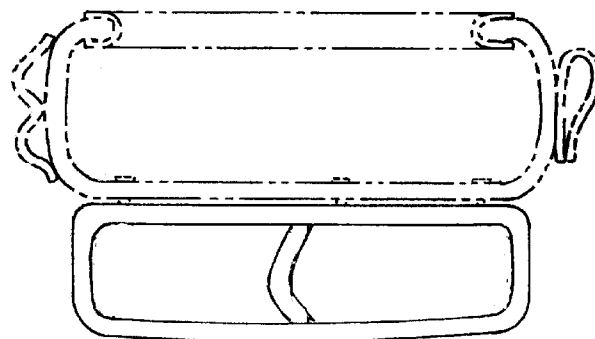


FIGURE 4

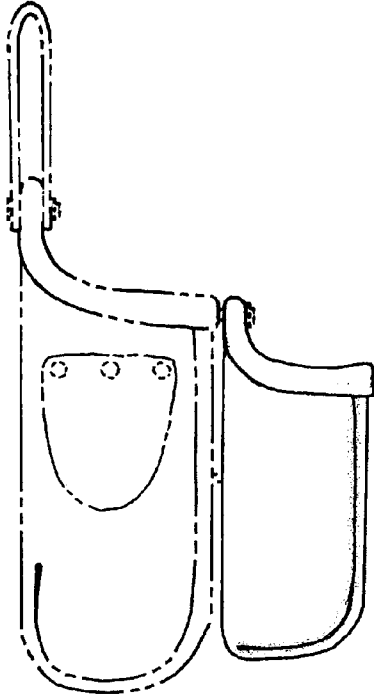


FIGURE 5

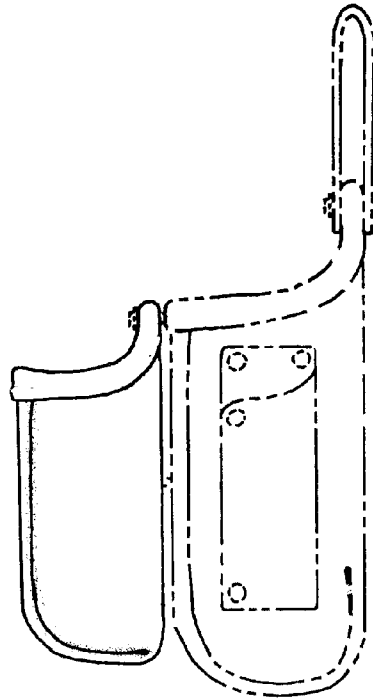


FIGURE 6