

United States Patent [19]

Hellberg

[11] Patent Number: Des. 276,380

[45] Date of Patent: ** Nov. 20, 1984

[54] VISOR FRAME FOR A PROTECTIVE HELMET

[75] Inventor: Göran Hellberg, Varberg, Sweden

[73] Assignee: Hellberg Protection Aktiebolag, Lerum, Sweden

[**] Term: 14 Years

[21] Appl. No.: 284,014

[22] Filed: Jul. 16, 1981

[30] Foreign Application Priority Data

Feb. 17, 1981 [SE] Sweden 81-0401

[52] U.S. Cl. D2/233

[58] Field of Search D2/230, 231, 232, 233;
2/6, 10, 424

[56] References Cited

U.S. PATENT DOCUMENTS

D. 168,057 10/1952 Margwarth D2/233
D. 250,496 12/1978 Odell et al. D2/233
4,023,210 5/1977 Hanson 2/10

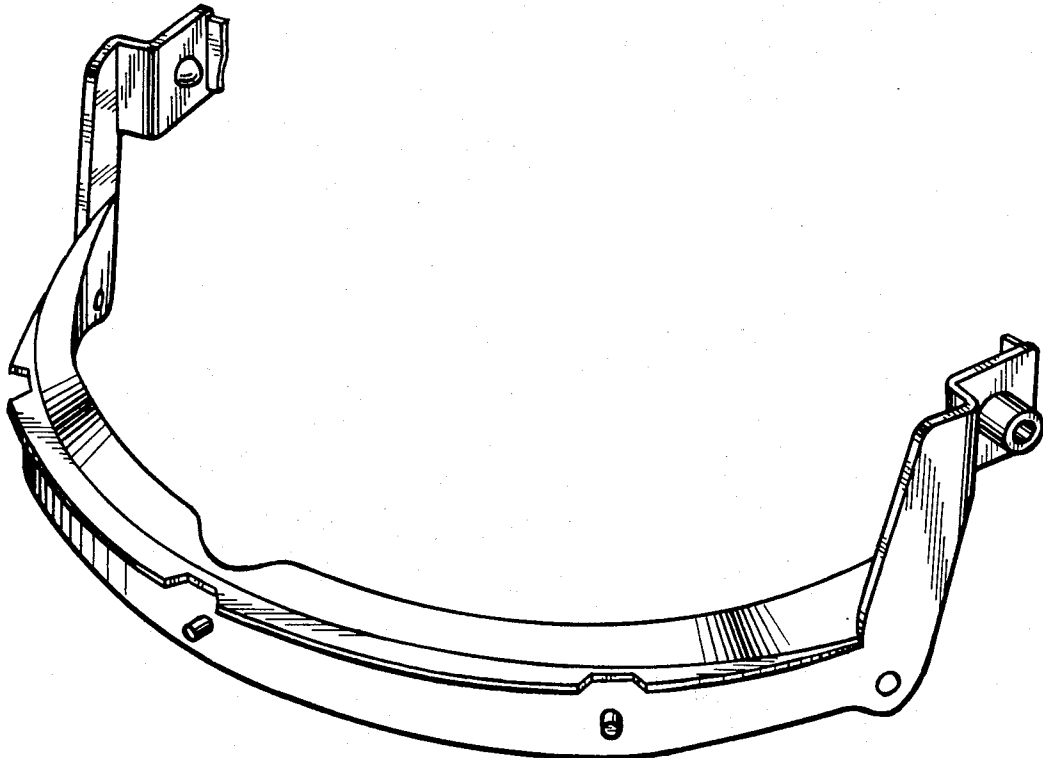
Primary Examiner—Bruce W. Dunkins
Assistant Examiner—Carmen H. Vales
Attorney, Agent, or Firm—Holman & Stern

[57] CLAIM

The ornamental design for a visor frame for a protective helmet, as shown and described.

DESCRIPTION

FIG. 1 is a side elevational view of a visor frame for a protective helmet showing my new design; FIG. 2 is a perspective view thereof; and FIG. 3 is an enlarged top plan view thereof.



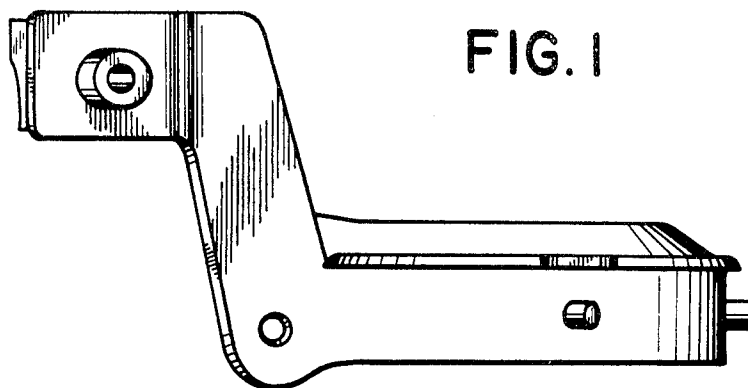


FIG. 1

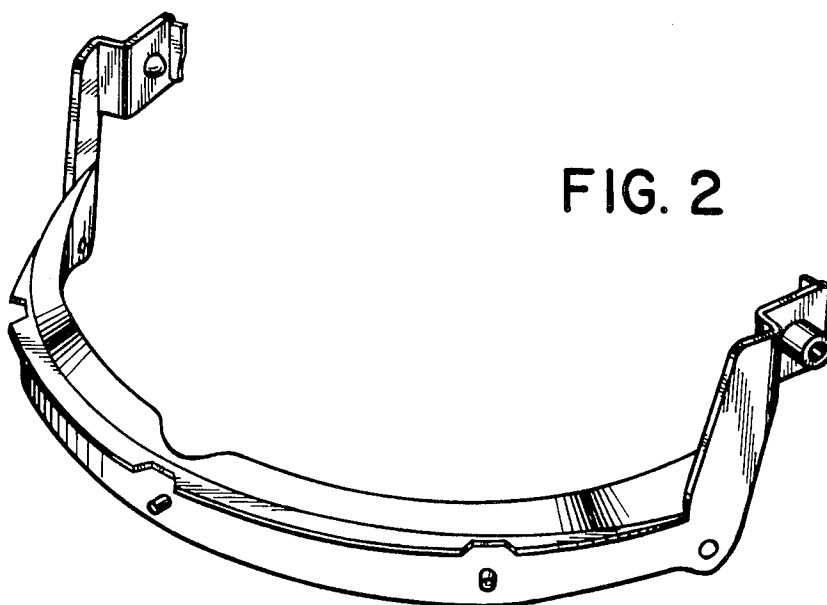


FIG. 2

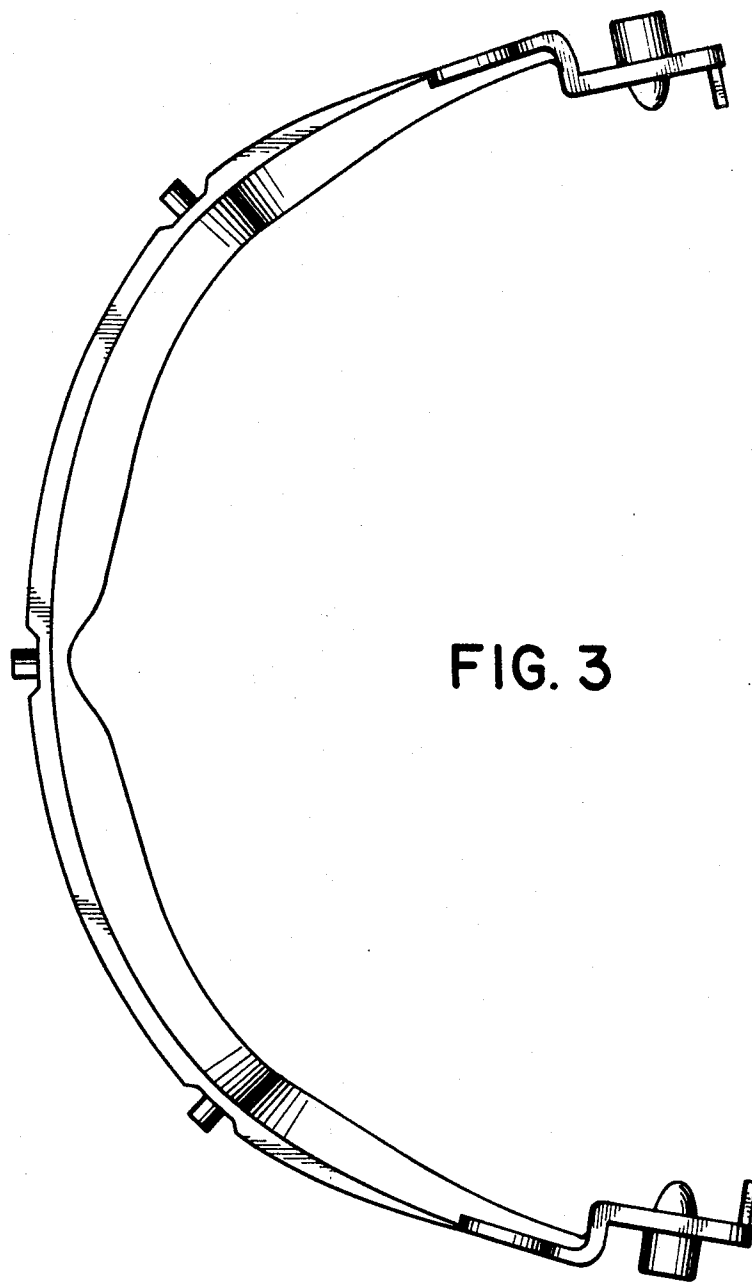


FIG. 3