

- (21) Application No 8025354
- (22) Date of filing 4 Aug 1980
- (30) Priority data
- (31) 794578U
- (32) 2 Aug 1979
- (33) Korea Rep. (KR)
- (43) Application published
7 May 1981
- (51) INT CL³
A41B 9/02
- (52) Domestic classification
A3V 1B3A2
- (56) Documents cited
GB 678623
GB 459968
- (58) Field of search
A3V
- (71) Applicant
Seun Yung Chung,
1102, Shinrim 8-dong,
Kwanak-ku, Seoul, Korea
- (72) Inventor
Seun Yung Chung

(74) Agents
Brookes & Martin,
High Holborn House,
52/54 High Holborn,
London. WC1V 6SE

(54) Men's underpants

(57) A pair of men's underpants 1 has an opening 2 at the front. A flap 3 overlies the opening 2, a rubbing cloth 7 being attached to the inside of the flap. A band-type ring 6 is attached to the main part of the underpants 1 so as to hang over the upper part of the opening 2. A number of wrinkles 5 and 5' are formed on the bottom of the flap 3 in the region 4 where the flap joins the main part of the underpants 1.

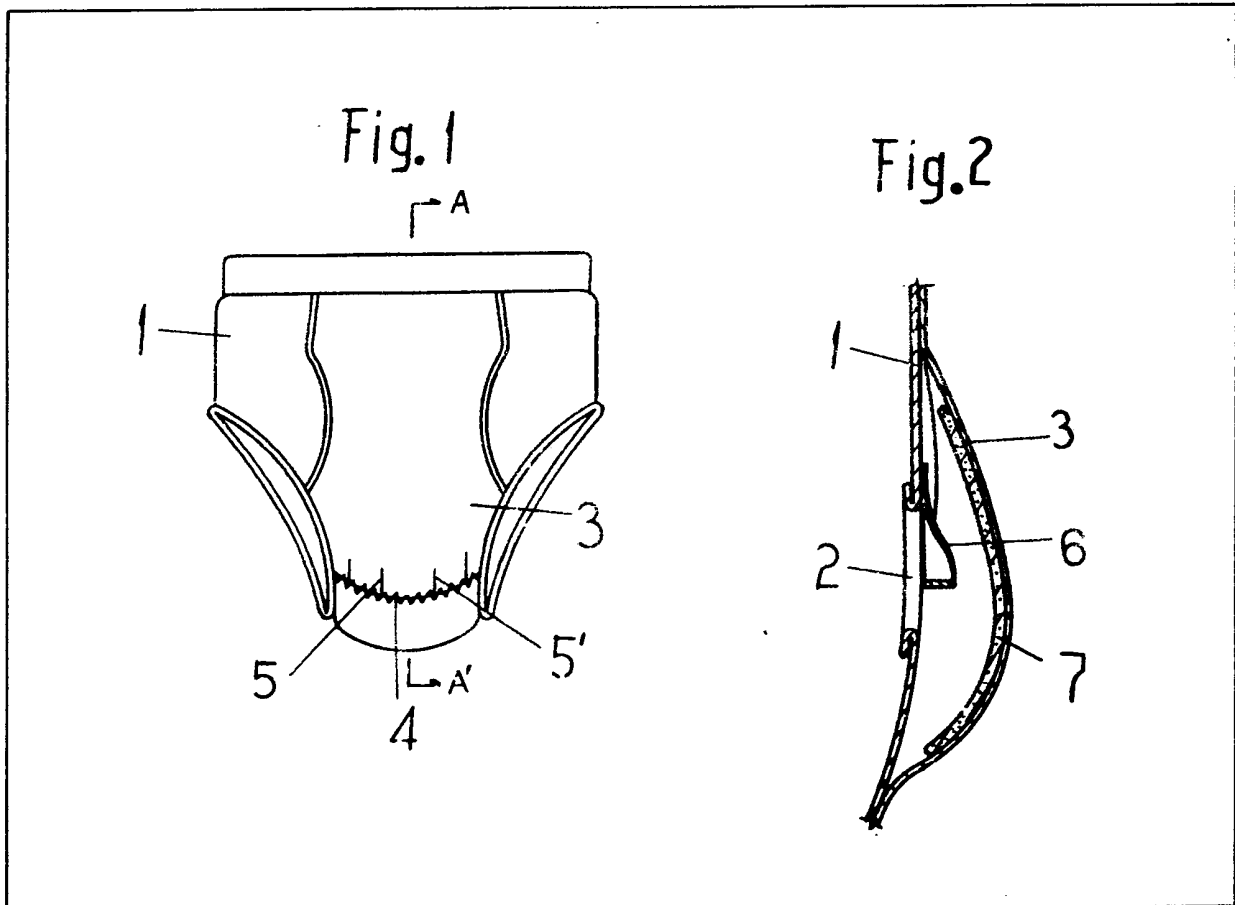


Fig. 1

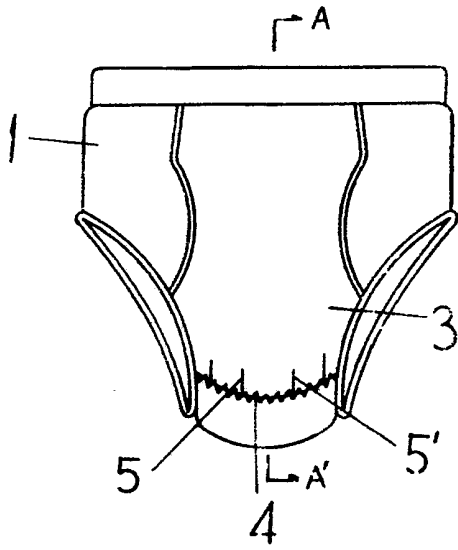
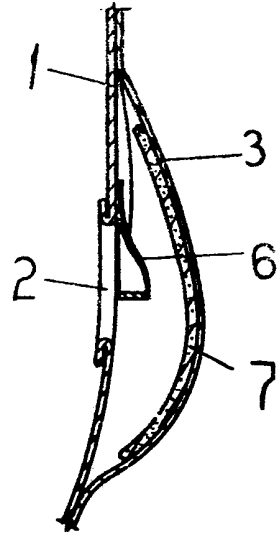


Fig. 2



S/S

Fig. 3

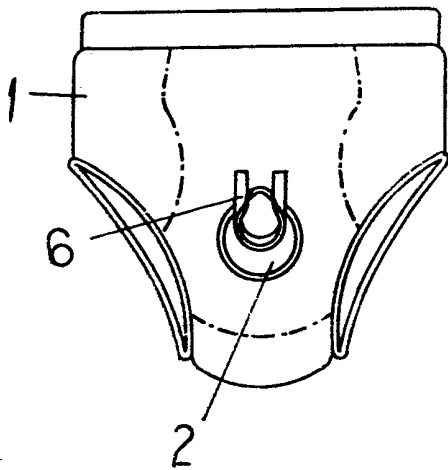
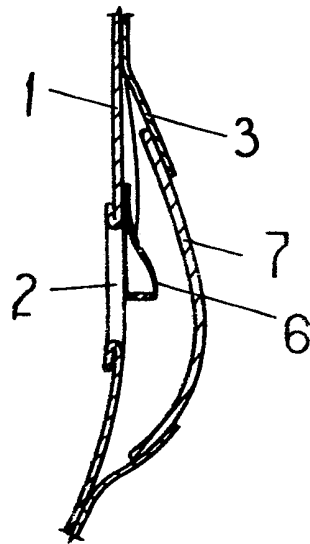


Fig. 4



SPECIFICATION

Men's underpants

5 This invention relates to men's underpants.

Known types of men's underpants generally cover the lower part of the body, and have an opening for urination. Because this type of underpants inhibits ventilation, the user is liable to a skin disease around the genitals. Even the known type of underpants having an opening at the front and a flap on the outside, does not obviate this disadvantage, as they do not have any specific structure for separating the penis and the seminal vesicle, and the flap often pushes the penis into the inner side of the underpants.

The present invention provides a pair of men's underpants having an opening at the front, a flap overlying the opening, a band-type ring attached to the underpants so as to hang over the upper part of the opening, a rubbing cloth attached to the inside of the flap, and a plurality of wrinkles formed on the bottom of the flap.

One form of men's underpants constructed in accordance with the invention will now be described, by way of example, with reference to the accompanying drawings, in which:—

Figure 1 is a front elevation of the underpants;

Figure 2 is a cross-section taken on the line A-A' of Figure 1;

Figure 3 is a front elevation of the underpants, this figure also showing some interior detail; and

Figure 4 is a vertical cross-section of a modified form of underpants.

Referring to the drawings, Figure 1, shows a pair of underpants 1 having an opening 2 at the front thereof. The opening 2 is covered by a flap 3 as is usual. A number of wrinkles (or pleats) 5 and 5' are formed on the bottom of the flap 3 in the region 4 which is joined to the main part of the underpants 1. A band-type ring 6 is attached to the underpants 1 so as to hang over the upper part of the opening 2. A rubbing cloth 7 is attached to the inside of the flap 3 on the outside of the opening 2. The rubbing cloth 7 is made of a coarse-grained fabric such as a hemp-woven fabric. When a man wears the underpants 1, he has to take out his penis and seminal vesicle from the inside of the underpants, and place them in the region of the opening 2. Then, he has to hang his penis on the band-type ring 6, so that his penis and his seminal vesicle are separated from each other. Because the penis is hung on the band-type ring 6, and the seminal vesicle is placed in said region, the ventilation rate around the genitals is greater than with known underpants. Moreover, any sweat coming from the area between the penis and the seminal vesicle can be absorbed easily. Consequently, the user enjoys a cool and refreshing feeling. Because the penis is hung on the band-type ring 6, it rubs against the rubbing cloth 7 attached to the inside of the flap 3. This results in a dulling of the sensitivity of the penis, so that the user can obtain a better ability in sexual intercourse.

The wrinkles 5 and 5' formed on the bottom of the flap, increase the space between the main part of the underpants and the flap. Consequently, the flap 3 does not push the penis and the seminal vesicle against the inside surface of the underpants 1.

The underpants 1 of Figure 4 are the same as those of Figures 1 to 3 except that the rubbing cloth 7 is not completely covered by the flap 3.

CLAIMS

1. A pair of men's underpants having an opening at the front, a flap overlying the opening, a band-type ring attached to the underpants so as to hang over the upper part of the opening, a rubbing cloth attached to the inside of the flap, and a plurality of wrinkles formed on the bottom of the flap.

2. A pair of men's underpants substantially as hereinbefore described with reference to, and as illustrated by, Figures 1 to 3 or Figures 1 to 3 as modified by Figure 4.

Printed for Her Majesty's Stationery Office by The Tweeddale Press Ltd., Berwick-upon-Tweed, 1981.
Published at the Patent Office, 25 Southampton Buildings, London, WC2A 1AY, from which copies may be obtained.