



US00D823071S

(12) **United States Design Patent** (10) **Patent No.:** **US D823,071 S**
Woods (45) **Date of Patent:** **** Jul. 17, 2018**

(54) **BEVERAGE COASTER** 4,858,873 A * 8/1989 Wilmoth A47G 23/03
215/394
(71) Applicant: **Nicholas K. Woods**, Oklahoma City, 4,889,302 A 12/1989 Tucker
OK (US) 4,989,419 A 2/1991 Brando et al.
D316,501 S * 4/1991 Pinette, Jr. D7/624.1
(72) Inventor: **Nicholas K. Woods**, Oklahoma City, 5,024,067 A 6/1991 Maier, II
OK (US) 5,212,963 A 5/1993 McGinnis
D336,205 S * 6/1993 Cooper D7/624.1
(**) Term: **15 Years** 5,273,182 A * 12/1993 Laybourne A47G 23/03
215/228
5,398,898 A * 3/1995 Bever A47G 23/0225
248/154

(21) Appl. No.: **29/579,475**
(22) Filed: **Sep. 30, 2016**

Related U.S. Application Data

(63) Continuation of application No. 14/143,768, filed on Dec. 30, 2013, now abandoned.
(51) **LOC (11) Cl.** **07-06**
(52) **U.S. Cl.**
USPC **D7/624.1**
(58) **Field of Classification Search**
USPC D7/619.1-625, 603-608
CPC .. F25D 3/08; F25D 2331/80; F25D 2331/805;
F25D 2331/808; F25D 2331/809; F25D
2331/812; A47G 23/0313; A47G 23/02;
A47G 23/0225; A47G 23/0316; A47G
23/032; A47G 2023/0238; A47G
2023/0291; A47G 19/2288; B65D
81/3879
See application file for complete search history.

References Cited

(56) **U.S. PATENT DOCUMENTS**
2,767,563 A 10/1956 Picascia
3,161,031 A 12/1964 Flannery
3,434,302 A 3/1969 Stoner et al.
4,144,968 A 3/1979 Shelton
4,183,226 A 1/1980 Moore
D260,070 S * 8/1981 Haverland D7/388
4,747,274 A 5/1988 Duemmig-Zitzmann

(Continued)

Primary Examiner — Terry A Wallace
(74) *Attorney, Agent, or Firm* — Dunlap Coddling, P.C.

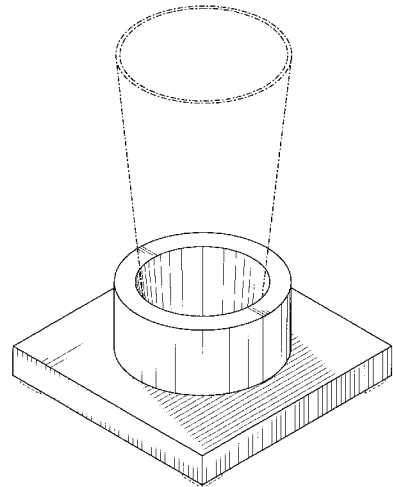
(57) **CLAIM**

The ornamental design for a beverage coaster, as shown and described.

DESCRIPTION

FIG. 1 is a perspective view of a beverage coaster showing my new design.
FIG. 2 is a front view thereof, the rear view being a mirror image.
FIG. 3 is a side view thereof, the opposite side being a mirror image.
FIG. 4 is a top plan view thereof.
FIG. 5 is a bottom plan view thereof.
FIG. 6 is a perspective view of an alternate embodiment of FIG. 1.
FIG. 7 is a front view of FIG. 6, the rear view being a mirror image.
FIG. 8 is a side view of FIG. 6, the opposite side being a mirror image.
FIG. 9 is a top plan view of FIG. 6; and,
FIG. 10 is a bottom plan view of FIG. 6.
The broken lines shown in FIGS. 1-3 and 5-6 are for purposes of illustrating environment only and form no part of the claimed design.

1 Claim, 6 Drawing Sheets



(56)

References Cited

U.S. PATENT DOCUMENTS

5,447,764 A * 9/1995 Langford A47G 23/0216
220/560
5,474,206 A 12/1995 Herring, Sr.
D383,271 S * 9/1997 Eshelman D32/54
D392,514 S * 3/1998 Steinfeld D7/624.1
D418,377 S * 1/2000 Ferguson D7/624.1
6,047,849 A * 4/2000 Schwegman B65D 1/265
220/675
6,089,519 A 7/2000 Laybourne
6,109,581 A * 8/2000 Kracke A47G 23/0241
211/74
6,786,062 B1 9/2004 Greenberg
7,124,604 B2 * 10/2006 Taylor A47G 23/0313
62/457.4
7,331,194 B2 2/2008 Lefkowitz et al.
7,805,959 B2 * 10/2010 Webb F25D 3/08
62/457.3
D653,088 S * 1/2012 Hansen D7/624.1
2006/0059944 A1 * 3/2006 Taylor A47G 23/0313
62/457.4

* cited by examiner

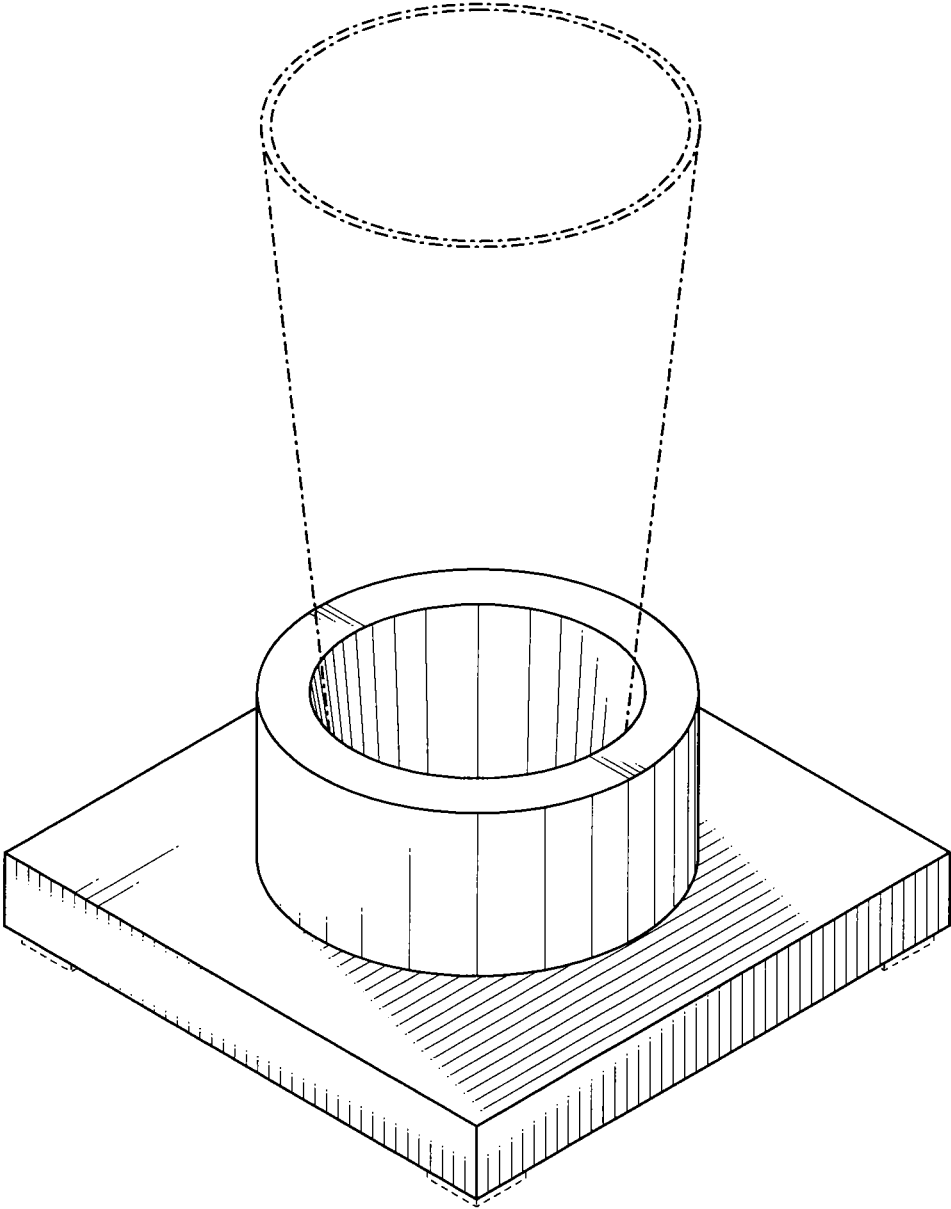


FIG. 1

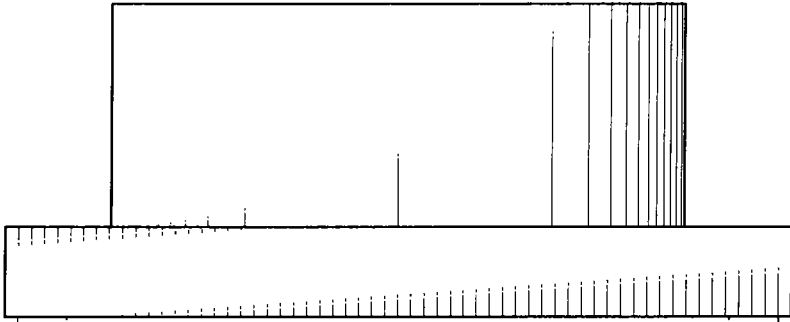


FIG. 2

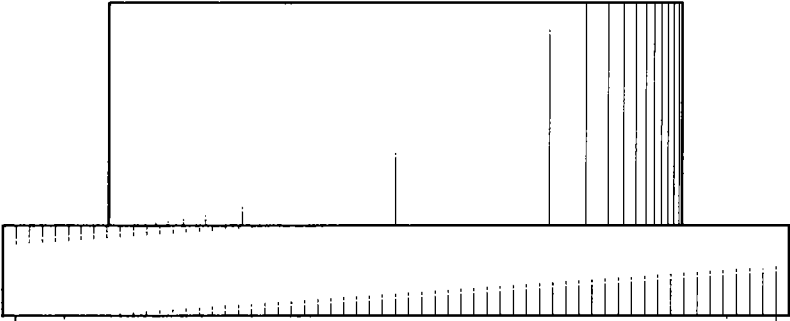


FIG. 3

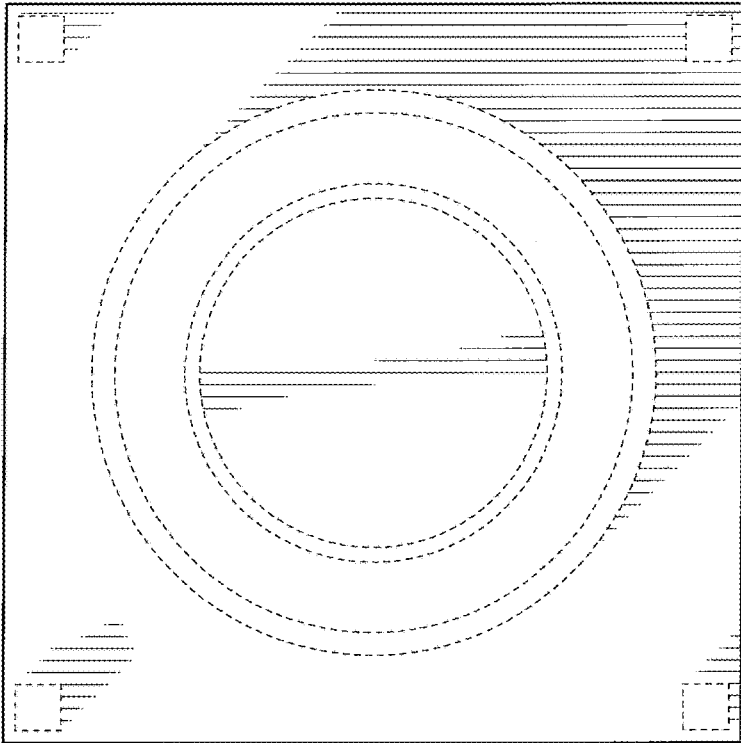


FIG. 5

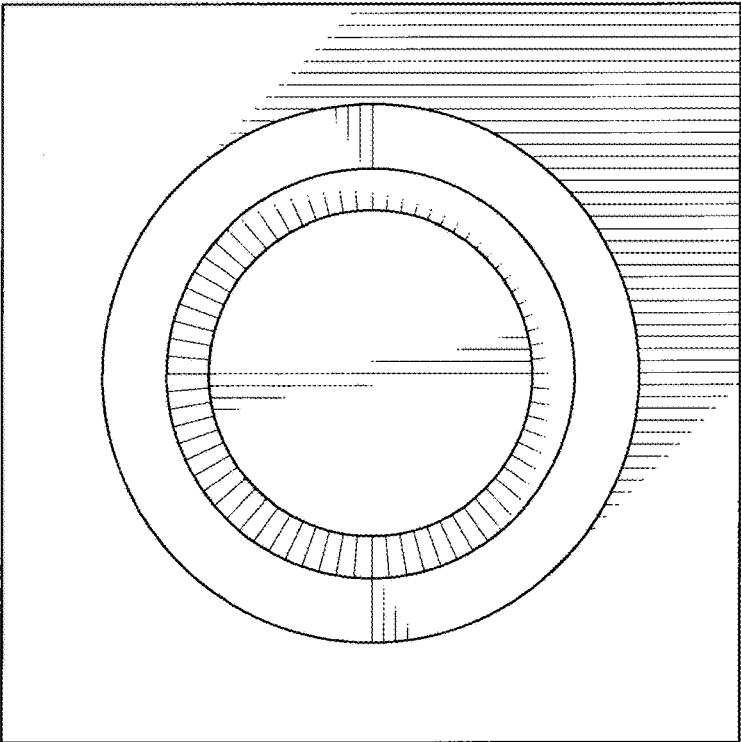


FIG. 4

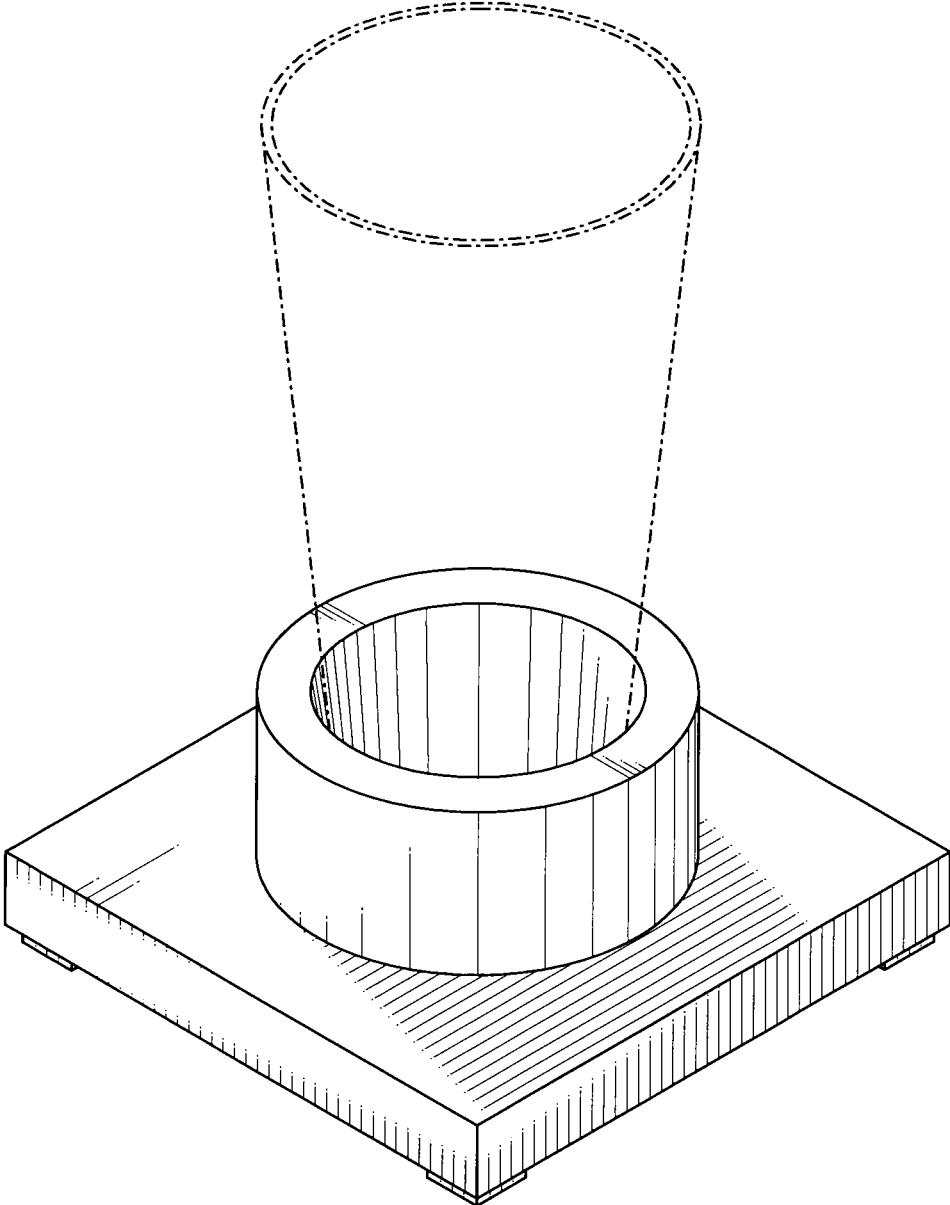


FIG. 6

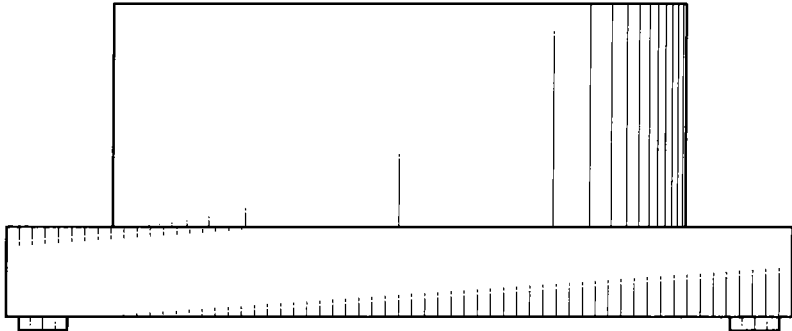


FIG. 7

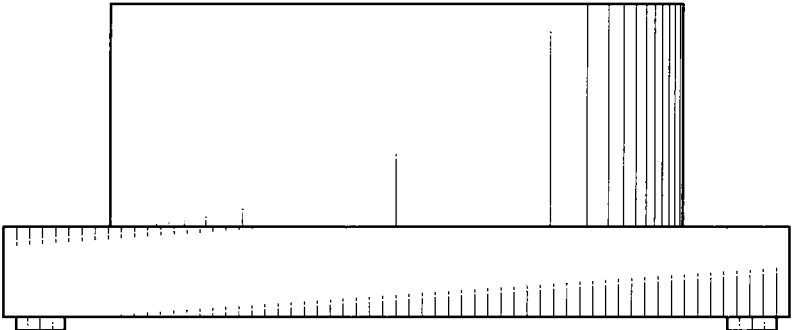


FIG. 8

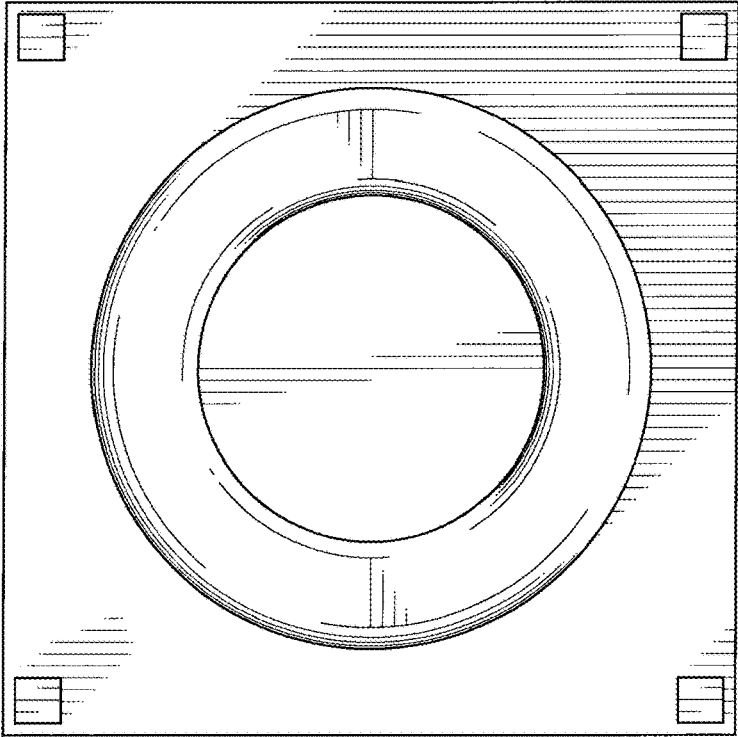


FIG. 10

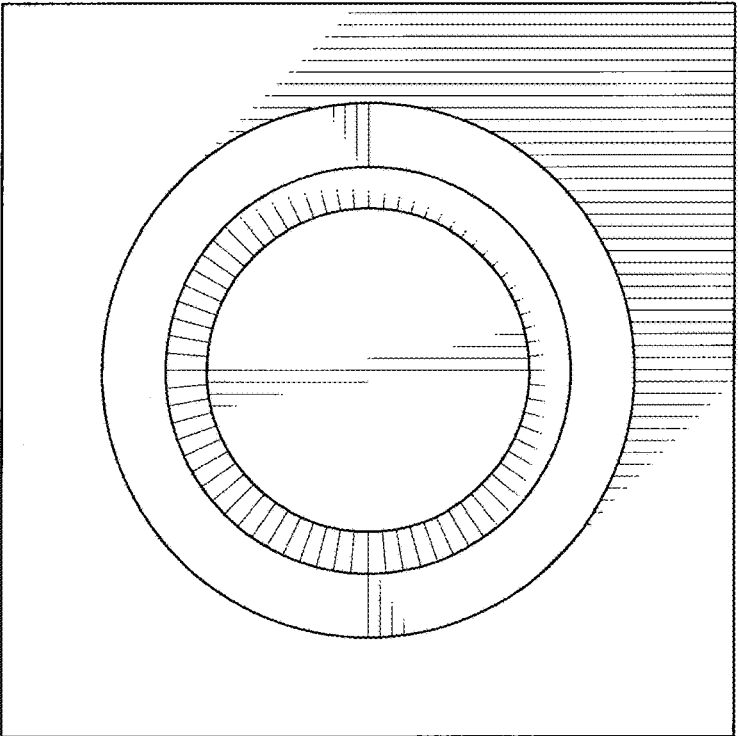


FIG. 9