



US00D805367S

(12) **United States Design Patent**  
**Winslow**

(10) **Patent No.:** **US D805,367 S**  
(45) **Date of Patent:** **\*\* Dec. 19, 2017**

- (54) **LOCK**
- (71) Applicant: **Jon Jeremy Winslow**, Escondido, CA (US)
- (72) Inventor: **Jon Jeremy Winslow**, Escondido, CA (US)
- (\*\*) Term: **15 Years**
- (21) Appl. No.: **29/590,032**
- (22) Filed: **Jan. 6, 2017**
- (51) **LOC (10) Cl.** ..... **08-07**
- (52) **U.S. Cl.**  
USPC ..... **D8/331; D8/343; D8/330**
- (58) **Field of Classification Search**  
USPC ..... D8/330, 331, 342, 343, 344, 349;  
70/164, 465, 466, 57.1, 124, 237,  
70/54-56.58, 140, 175-180, 229-232;  
292/2, 21, 24, 251, 253, 327, 346,  
292/DIG. 51; 411/81.9, 955  
CPC . E05C 1/00; E05C 19/00; E05C 19/10; F16B  
31/00; F16B 31/021; F16B 41/005  
See application file for complete search history.

- 5,596,892 A \* 1/1997 Edgar ..... B65D 55/14  
70/164
- D410,190 S \* 5/1999 Freck ..... D8/331
- 6,865,914 B2 \* 3/2005 Irgens ..... B60D 1/06  
70/14
- 6,948,343 B2 \* 9/2005 Williamson ..... E05B 65/48  
70/158
- D511,674 S \* 11/2005 Myers ..... D8/331
- 7,076,977 B2 \* 7/2006 Lee ..... E05B 27/083  
411/910
- D549,075 S \* 8/2007 Jackson, Jr. .... D8/331
- 7,520,709 B2 \* 4/2009 Wang ..... F16B 41/005  
411/396
- 7,624,603 B2 \* 12/2009 Perks ..... E05B 17/0025  
70/14
- D730,717 S \* 6/2015 Moreau ..... D8/331
- D776,513 S \* 1/2017 Mateko ..... D8/331

\* cited by examiner

*Primary Examiner* — Prabhakar Deshmukh  
(74) *Attorney, Agent, or Firm* — Eric Hanscom

(57) **CLAIM**

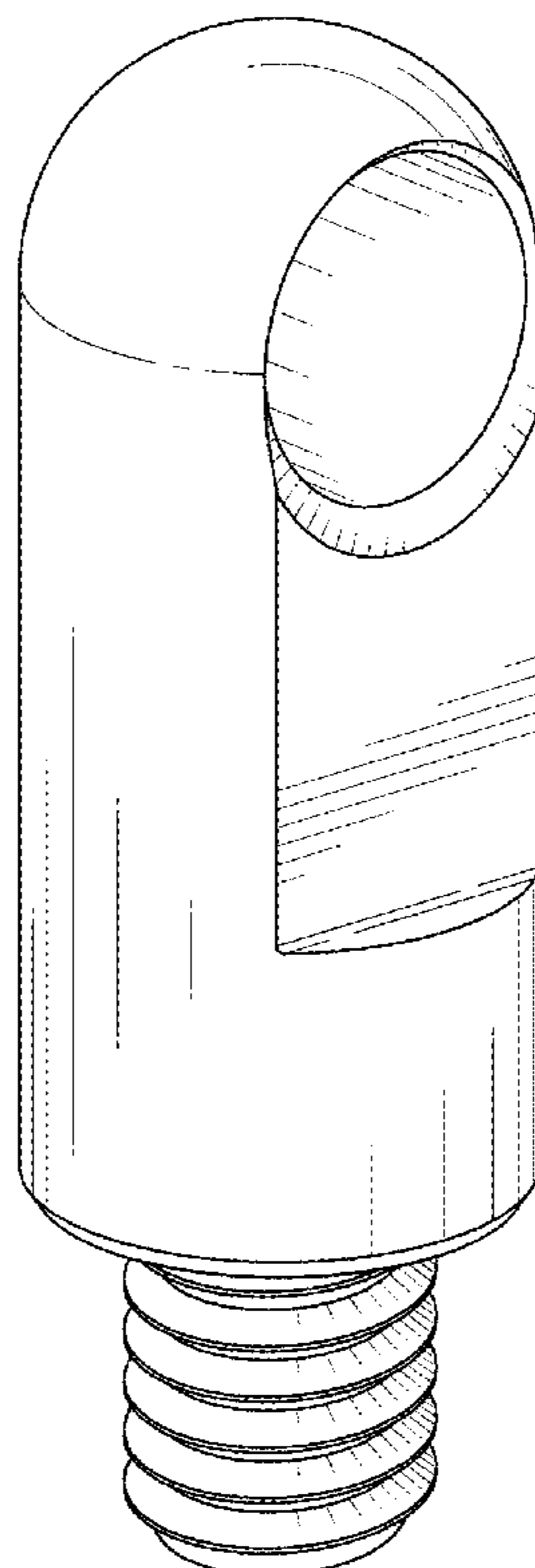
The ornamental design for a lock, as shown and described.

**DESCRIPTION**

FIG. 1 is a perspective view of a lock showing my new design;  
FIG. 2 is a front view thereof;  
FIG. 3 is a side view thereof;  
FIG. 4 is a top view thereof; and,  
FIG. 5 is a bottom view thereof.

**1 Claim, 4 Drawing Sheets**

- (56) **References Cited**  
U.S. PATENT DOCUMENTS  
4,754,628 A \* 7/1988 Siegel ..... F16B 41/005  
70/230  
5,404,736 A \* 4/1995 Lugo ..... B60R 25/086  
411/269



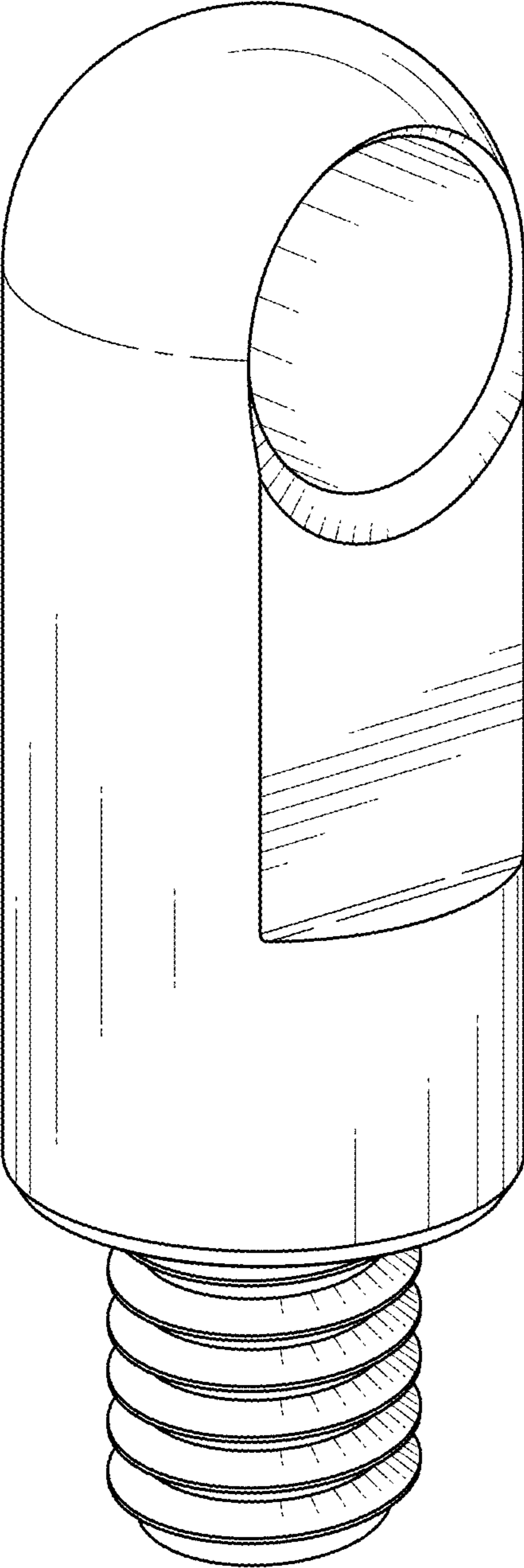


FIG. 1

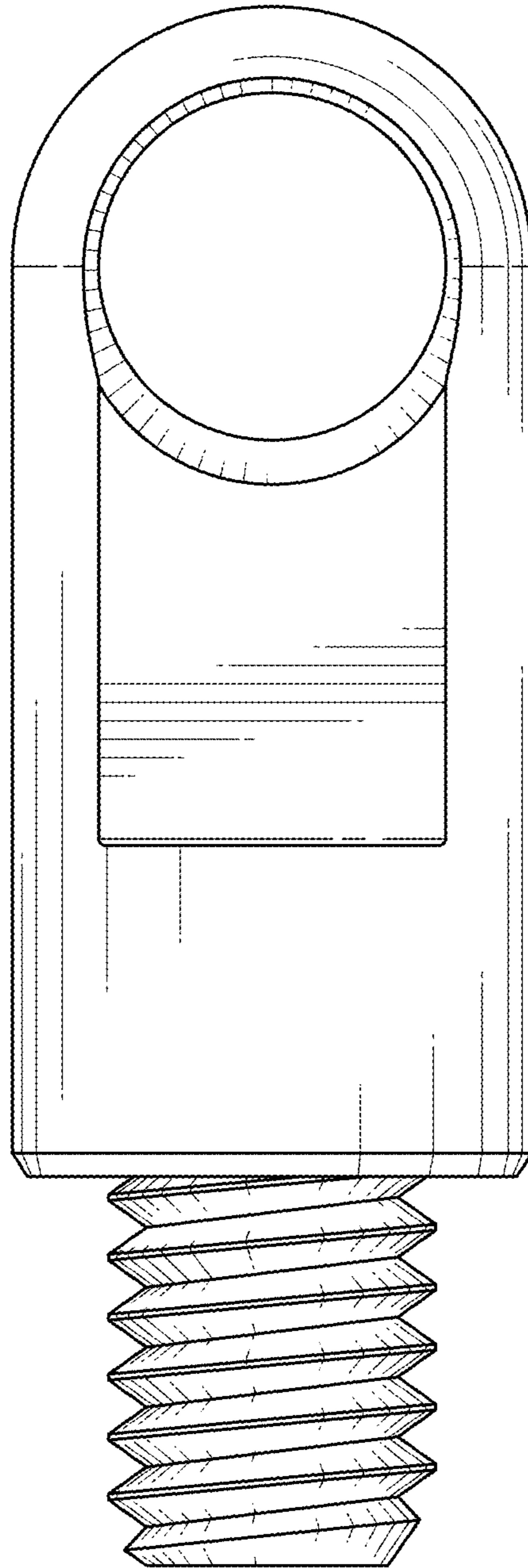


FIG. 2

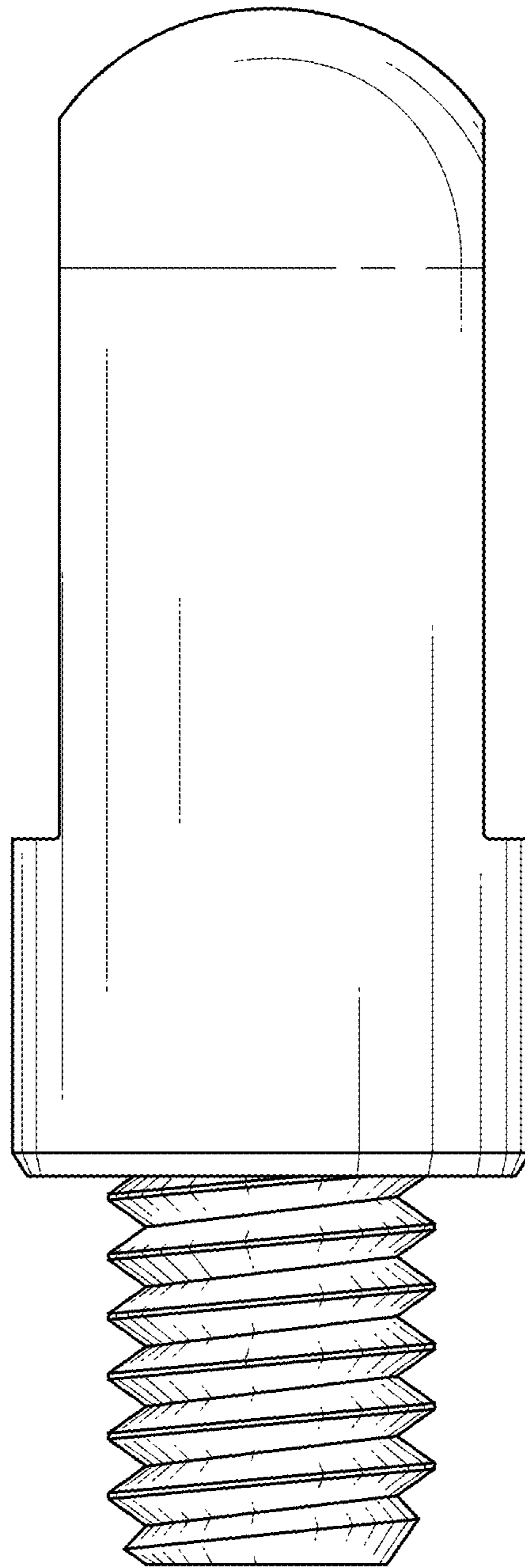


FIG. 3

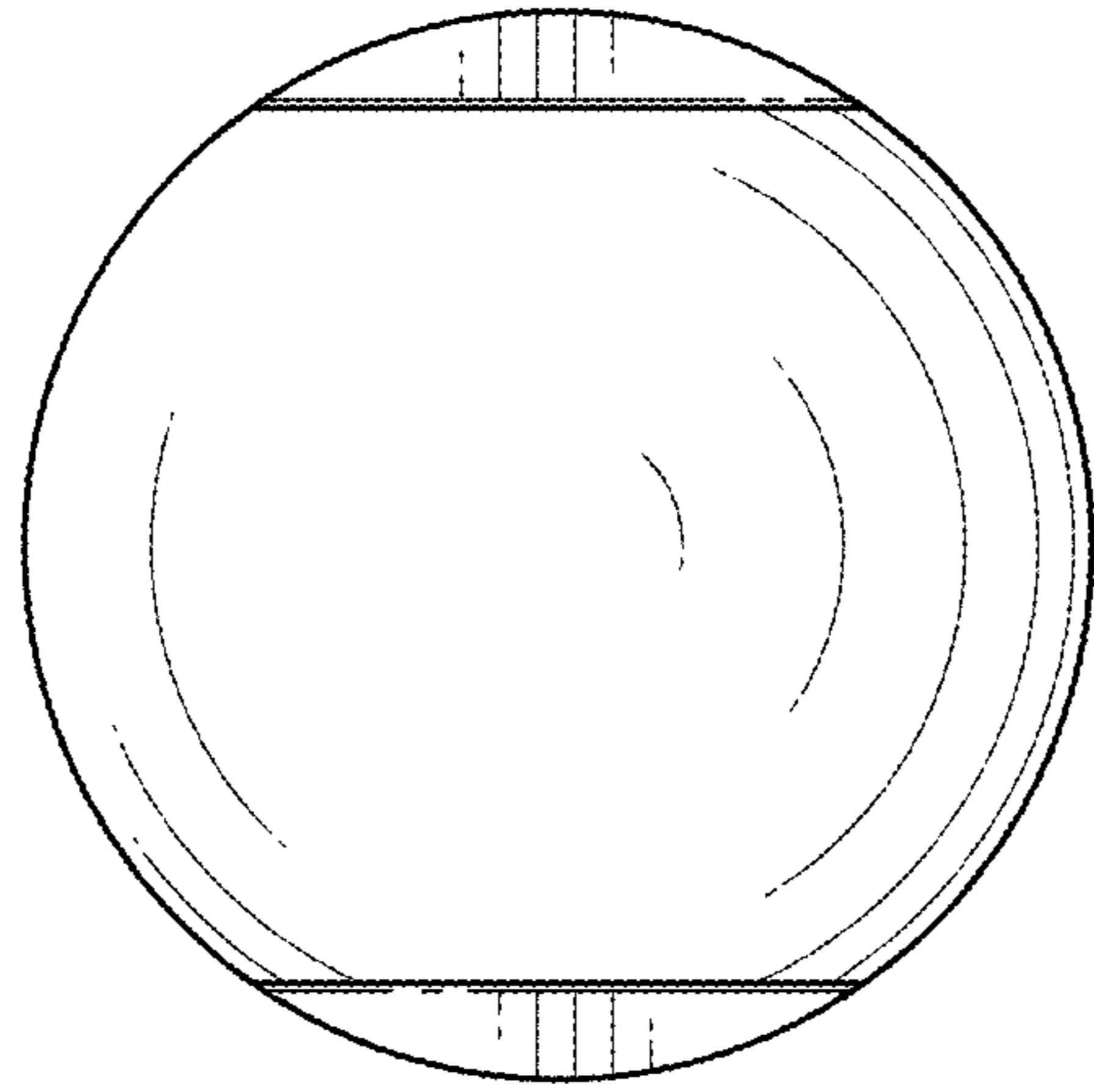


FIG. 4

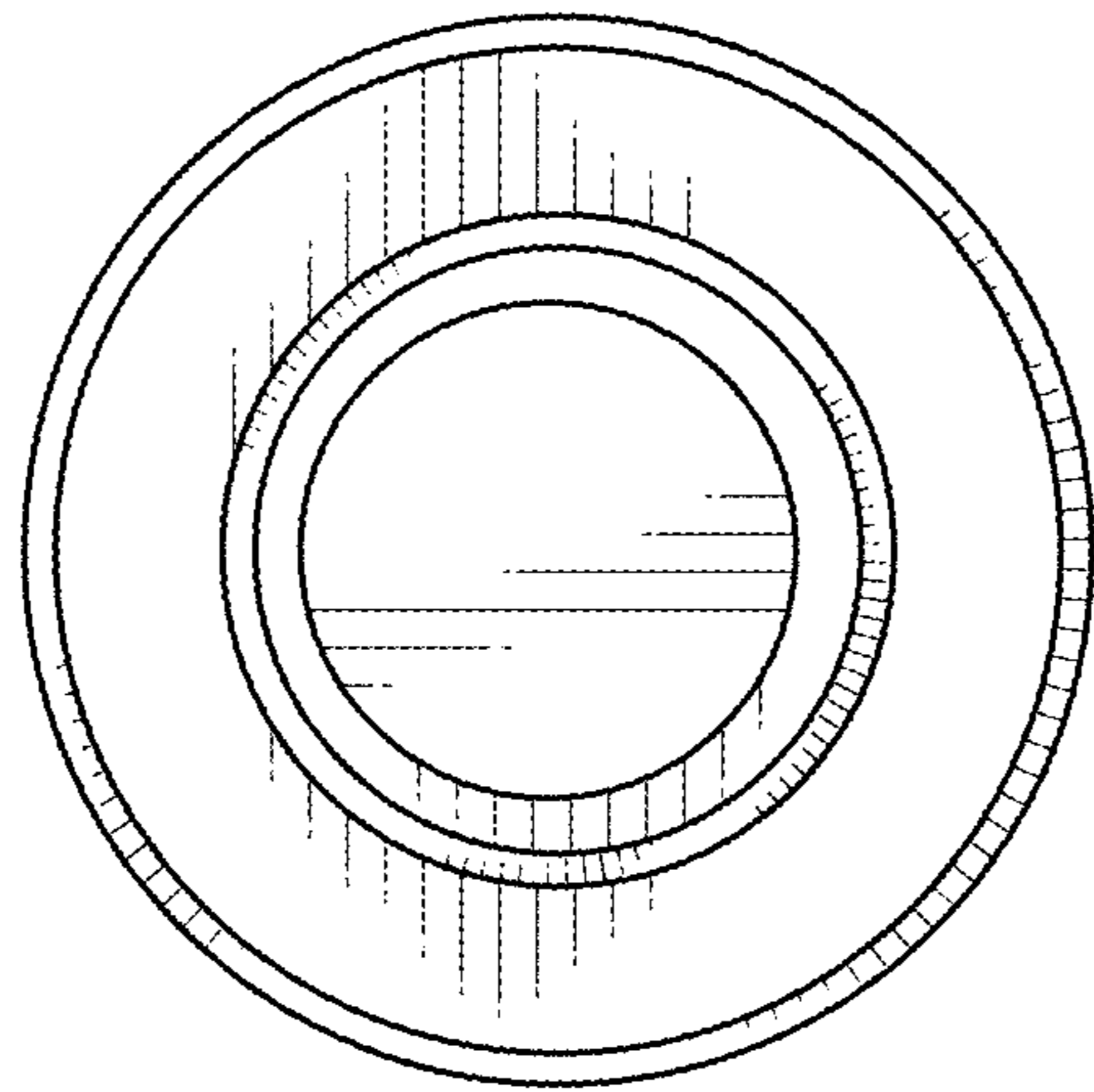


FIG. 5