



US0D1036972S

(12) **United States Design Patent**
Cowell et al.

(10) **Patent No.:** **US D1,036,972 S**
(45) **Date of Patent:** **** Jul. 30, 2024**

- (54) **CARABINER**
- (71) Applicant: **TREEMAGINEERS LTD**, Pitlochry
Perth and Kinross (GB)
- (72) Inventors: **Christopher Sidney Cowell**, Pitlochry
Perth and Kinross (GB); **Elliot James
Tanner**, Montgomery (GB)
- (73) Assignee: **TREEMAGINEERS LTD**, Pitlochry
(GB)
- (**) Term: **15 Years**
- (21) Appl. No.: **29/792,541**
- (22) Filed: **Apr. 6, 2022**
- (30) **Foreign Application Priority Data**

D579,763	S *	11/2008	Uehara	D8/367
D583,654	S *	12/2008	Uehara	D8/367
D649,018	S *	11/2011	Kope	D8/367
D649,024	S *	11/2011	Takazakura	D8/367
D662,400	S *	6/2012	Kope	D8/367
D665,655	S *	8/2012	Ishii	D8/367
8,276,247	B2 *	10/2012	Yang	F16B 45/026 24/600.2
D675,806	S *	2/2013	Caul	D2/500
D730,159	S *	5/2015	Grimm	D8/356
D740,645	S *	10/2015	Koreishi	D8/367
D785,316	S *	5/2017	Grossman	D8/356
D790,327	S *	6/2017	Renforth	D8/367
D821,090	S *	6/2018	Case	D8/356
10,060,466	B2 *	8/2018	Kaneko	F16B 45/02
D837,635	S *	1/2019	Petzl	D8/356
D852,609	S *	7/2019	LeBeau	D8/356
D867,855	S *	11/2019	Cowell	D8/356
D882,378	S *	4/2020	Graykowski	D8/356
D892,600	S *	8/2020	Schmitz	D8/367
D892,601	S *	8/2020	Schmitz	D8/367
D894,718	S *	9/2020	Kramer	D8/356

(Continued)

- Oct. 13, 2021 (GB) 6169828
- (51) **LOC (14) Cl.** **09-06**
- (52) **U.S. Cl.**
USPC **D8/356**
- (58) **Field of Classification Search**
USPC D8/356, 354, 349, 367; D3/207
CPC B65H 57/16; B63B 21/045; A63B 29/08;
A63B 27/02; F16B 45/037
See application file for complete search history.

Primary Examiner — Cynthia R Underwood
(74) *Attorney, Agent, or Firm* — NIXON &
VANDERHYE

(57) **CLAIM**

The ornamental design for a carabiner, as shown and described.

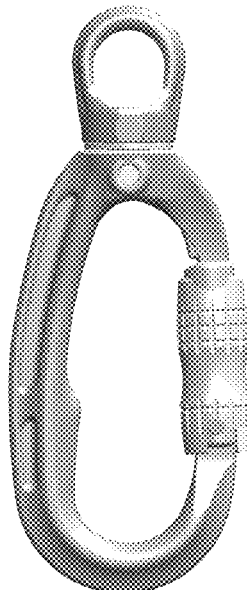
DESCRIPTION

FIG. 1 is a front elevation view of a carabiner showing the new design;
FIG. 2 is a right side elevation view thereof;
FIG. 3 is a left side elevation view thereof;
FIG. 4 is a rear elevation view thereof;
FIG. 5 is a top plan view thereof;
FIG. 6 is a bottom plan view thereof; and,
FIG. 7 is a top, front, and left side perspective view thereof.

1 Claim, 7 Drawing Sheets

(56) **References Cited**
U.S. PATENT DOCUMENTS

D342,665	S *	12/1993	Rekuc	D8/367
D348,385	S *	7/1994	Krauss	D8/367
D355,585	S *	2/1995	Terada	D8/367
D391,694	S *	3/1998	Eichhorn	119/784
D391,840	S *	3/1998	Striebel	D8/367
D394,202	S *	5/1998	Anscher	D8/367
D402,189	S *	12/1998	Izumi	D8/382
D491,049	S *	6/2004	Kung	D8/367



(56)

References Cited

U.S. PATENT DOCUMENTS

D902,009 S * 11/2020 Yang D8/356
D933,462 S * 10/2021 Zunzunegui D8/367
D943,399 S * 2/2022 Swanson-Low D8/356
D946,382 S * 3/2022 Graykowski D8/356
D977,948 S * 2/2023 Graykowski D8/356
11,708,851 B2 * 7/2023 Cowell F16B 45/023
24/599.6
2006/0179784 A1 * 8/2006 Chen F16B 45/00
52/698
2011/0138587 A1 * 6/2011 Walker F16B 45/037
24/599.4
2012/0011688 A1 * 1/2012 Yang F16B 45/027
24/599.6
2014/0245576 A1 * 9/2014 Perner F16B 45/02
24/600.1
2015/0231423 A1 * 8/2015 Perner A62B 35/0037
24/518
2016/0361578 A1 * 12/2016 Casebolt A62B 35/0075
2020/0408242 A1 * 12/2020 Cowell F16B 45/037

* cited by examiner

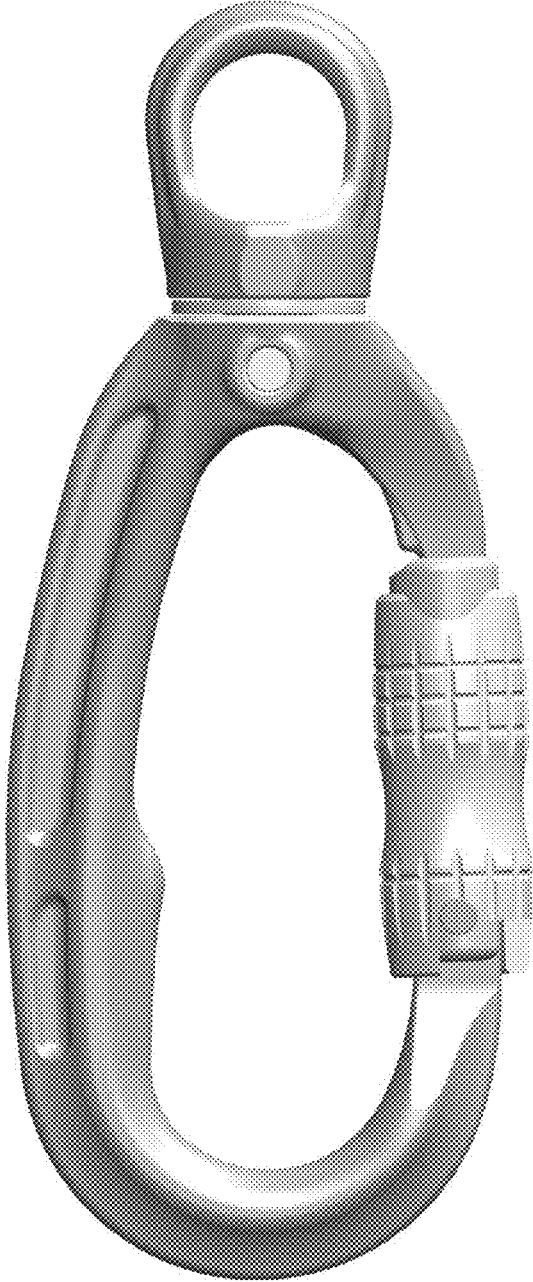


FIG. 1

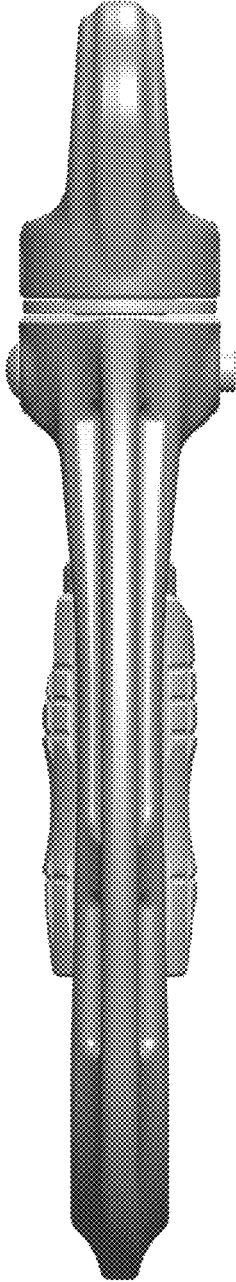


FIG. 2

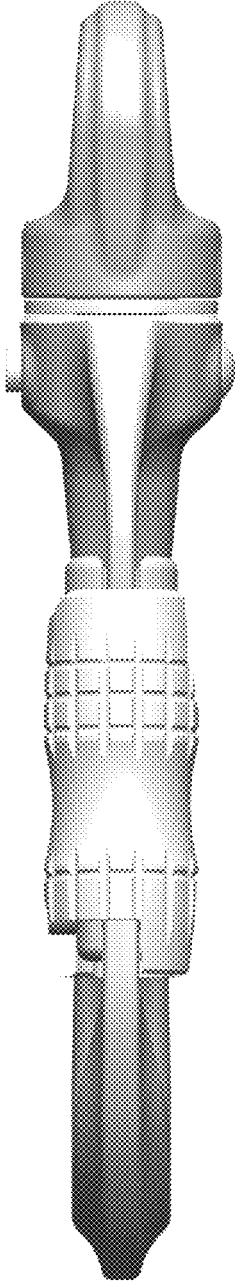


FIG. 3

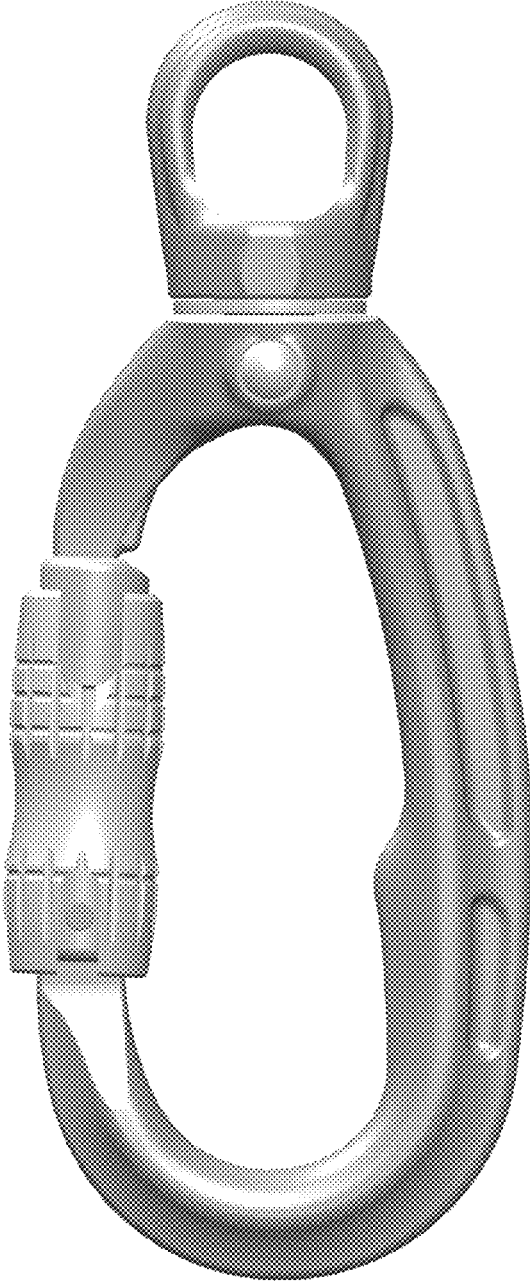


FIG. 4

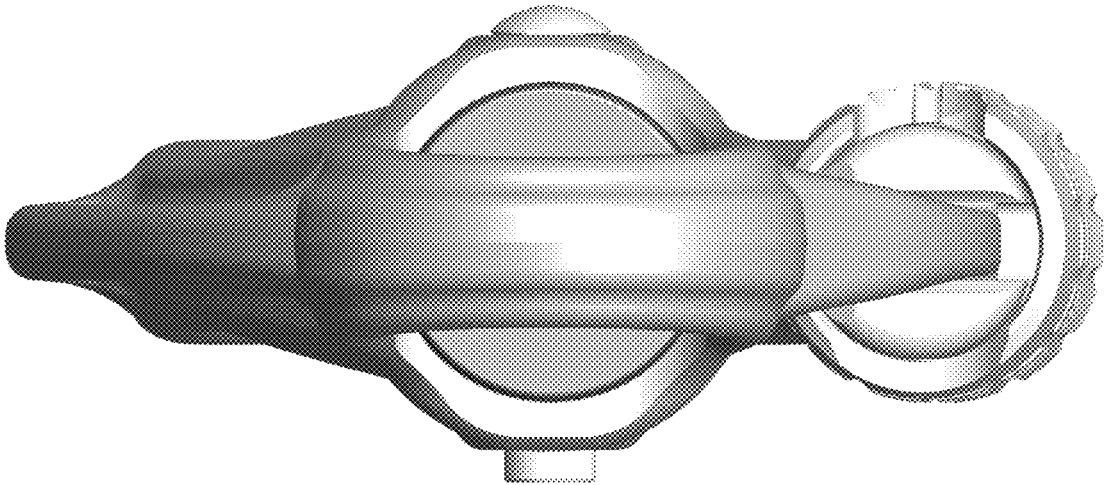


FIG. 5

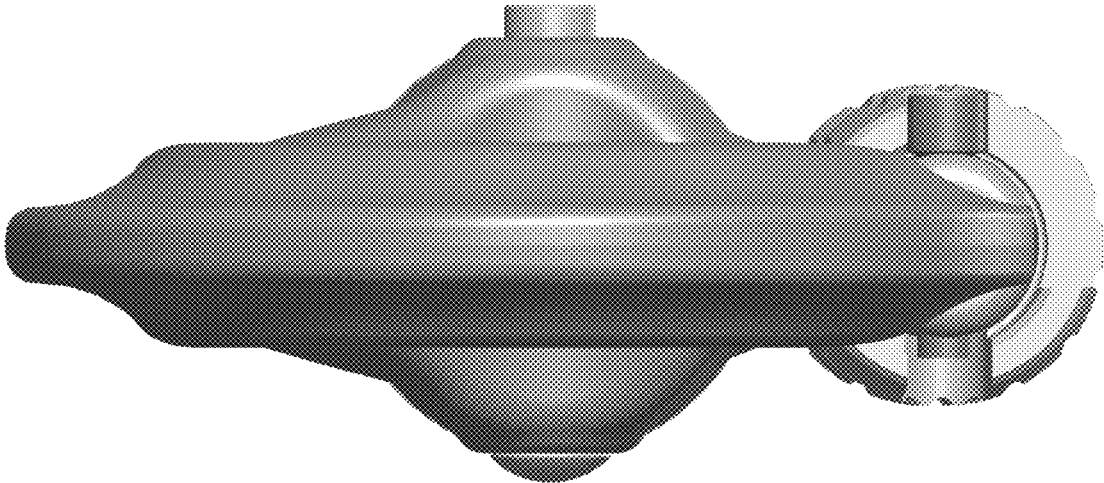


FIG. 6

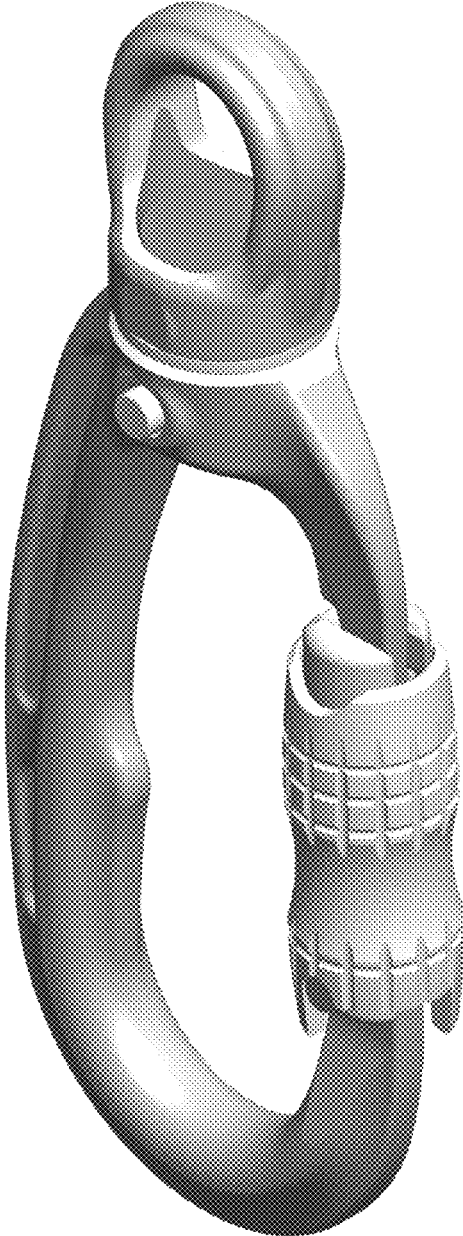


FIG. 7