



(12) **United States Design Patent**
Hiyoshi et al.

(10) **Patent No.:** **US D932,204 S**
(45) **Date of Patent:** **** Oct. 5, 2021**

- (54) **CHAIR**
- (71) Applicant: **Steelcase Inc.**, Grand Rapids, MI (US)
- (72) Inventors: **Yuka Hiyoshi**, Grand Rapids, MI (US);
Lucas Vinecki, Comstock Park, MI (US)
- (73) Assignee: **Steelcase Inc.**, Grand Rapids, MI (US)

2,847,062 A 8/1958 Henrikson
 D186,658 S 11/1959 Spilman
 D214,834 S 8/1969 Moore et al.
 D352,185 S 11/1994 Pagnon et al.
 D420,828 S 2/2000 Bertoni
 D433,830 S 11/2000 Barile et al.
 D489,554 S 5/2004 Lemmeyer et al.
 D502,331 S 3/2005 Socha et al.

(Continued)

(**) Term: **15 Years**

FOREIGN PATENT DOCUMENTS

(21) Appl. No.: **29/719,231**

GB 849077 A 9/1960

(22) Filed: **Jan. 2, 2020**

OTHER PUBLICATIONS

(51) **LOC (13) Cl.** **06-01**

(52) **U.S. Cl.** **D6/380**

(58) **Field of Classification Search**

USPC D6/333, 334, 341, 348, 349, 350, 352,
 D6/353, 360, 364, 369, 370, 371, 373,
 D6/374, 375, 376, 377, 379, 380, 390,
 D6/677, 692, 700, 708, 708.16, 716, 611;
 D16/237; D21/412, 419, 521
 CPC A47C 1/124; A47C 3/34; A47C 4/028;
 A47C 4/02; A47C 5/12; A47C 5/125;
 A47C 7/506; A47C 9/007; A47C 13/005;
 A47C 13/023; A47C 31/113; A47C
 31/02; A47C 5/06; A47C 5/08; A47C
 27/00; A47C 27/086; A47C 31/11; A47C
 7/021; A47C 7/0213; B60R 2/0284; B60R
 2/062; B60R 22/001; B60R 22/24; B60R
 22/28; B60R 22/58; B60R 22/64; B60R
 22/68; B60R 22/80; B60R 22/99; B60R
 22/245; B60R 22/643; B60R 22/646;
 B60R 22/665; B60R 22/686; B60R
 22/688; B60R 22/803; B60R 22/986;
 B60R 22/914; B60R 22/995

“Barros Side Chair (Set of 2)” Dec. 11, 2016, wayfair.com, site visited Aug. 4, 2021 <<https://www.wayfair.com/furniture/pdp/george-oliver-barros-solid-wood-side-chair-w001932429.html?piid=2080376821>> (Year: 2016).*

(Continued)

Primary Examiner — Kevin K Rudzinski
Assistant Examiner — Paul D Bohannon

See application file for complete search history.

(57) **CLAIM**

We claim the ornamental design for a chair, as shown and described.

DESCRIPTION

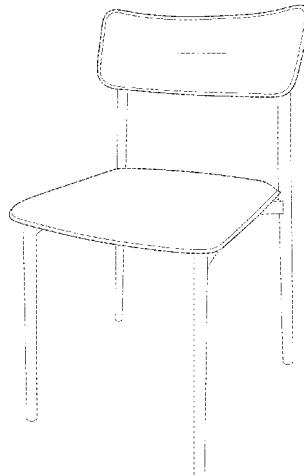
FIG. 1 is a front perspective view of a chair, showing our new design;
 FIG. 2 is a front view of the chair thereof;
 FIG. 3 is a rear view of the chair thereof;
 FIG. 4 is a right side view of the chair thereof, the left side view is a mirror image of the right side view of FIG. 4;
 FIG. 5 is a top view of the chair thereof; and,
 FIG. 6 is a bottom view of the chair thereof.

(56) **References Cited**

U.S. PATENT DOCUMENTS

2,649,136 A 8/1953 Eames
 2,687,768 A * 8/1954 Konkle A47C 5/14
 297/446.1

1 Claim, 5 Drawing Sheets



(56)

References Cited

U.S. PATENT DOCUMENTS

D503,865 S 4/2005 Eldoy
 D578,789 S * 10/2008 Ciani D6/380
 D617,567 S 6/2010 Stiker Metral
 D636,195 S 4/2011 Reyes et al.
 D647,320 S 10/2011 Young
 D673,787 S * 1/2013 Bartlmae D6/380
 D695,036 S 12/2013 Pesso
 D695,037 S 12/2013 Pesso
 D724,342 S 3/2015 Pesso
 D740,045 S 10/2015 Wilkinson
 9,295,339 B2 3/2016 Hampton
 D763,004 S 8/2016 Moscheri
 D799,848 S 10/2017 Morrison
 D805,797 S 12/2017 Toffoloni
 D811,791 S 3/2018 Chavarria
 D833,766 S 11/2018 Davis et al.
 D834,850 S 12/2018 Davis et al.

D836,358 S 12/2018 Starck
 D844,344 S 4/2019 Tran
 D856,055 S 8/2019 Read et al.
 D859,022 S * 9/2019 Jones D6/374
 D863,805 S * 10/2019 Jones D6/374
 D873,047 S * 1/2020 Wilkinson D6/380
 D877,526 S * 3/2020 Vasilev D6/379
 D893,895 S * 8/2020 Traverso D6/334
 D898,401 S * 10/2020 Tabuchi D6/376
 D899,803 S * 10/2020 Tabet D6/380
 D917,911 S * 5/2021 Jones D6/376
 D922,087 S * 6/2021 Li D6/380
 D924,596 S * 7/2021 Breinholt D6/380
 2007/0145798 A1 6/2007 Nadler Sachs

OTHER PUBLICATIONS

Cult by Archirivolto Design. Downloaded from <https://www.segis.it/en/products/Cult/> on Jan. 2, 2020 (9 pages).

* cited by examiner

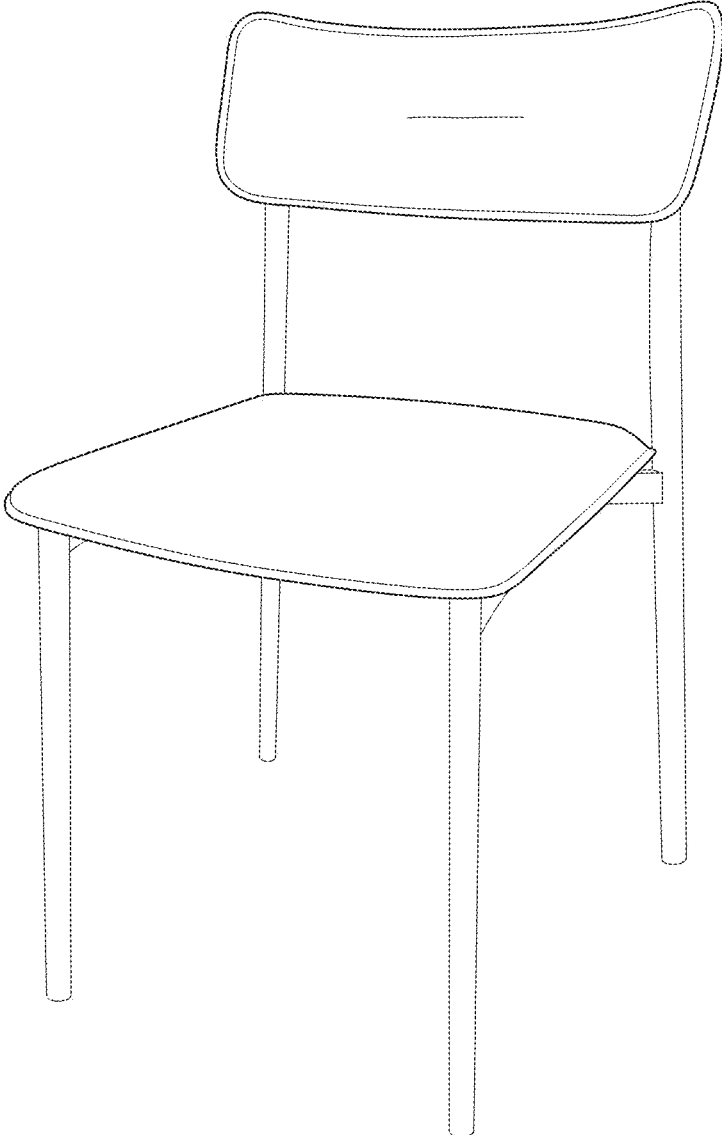


FIG. 1

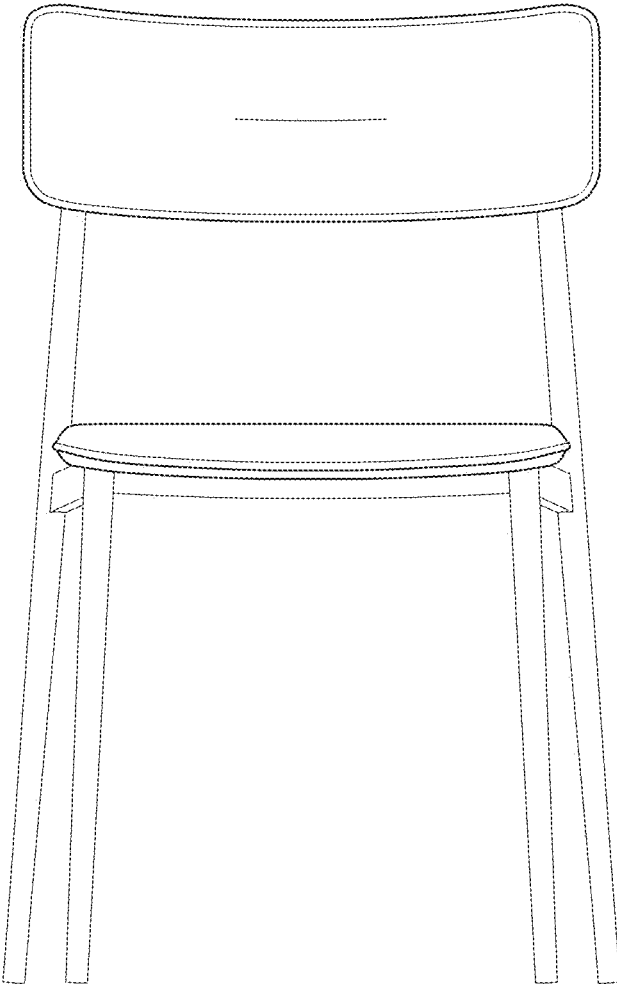


FIG. 2

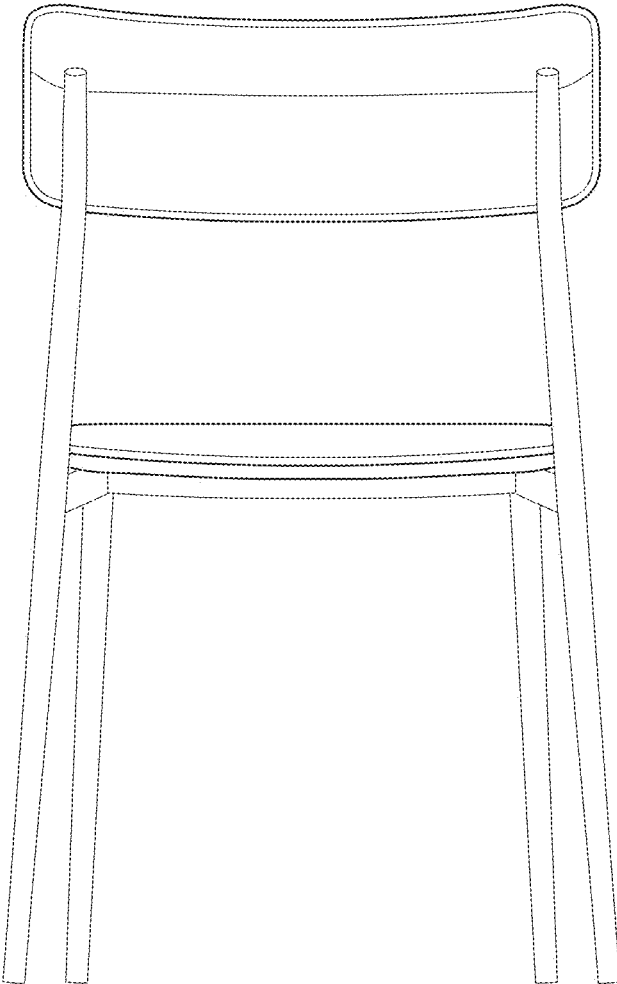


FIG. 3

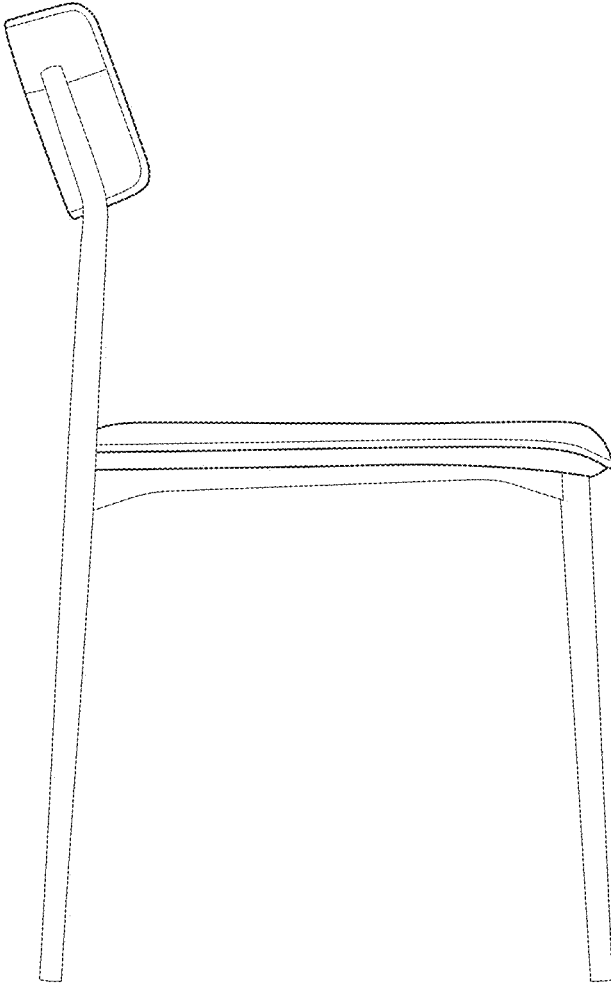


FIG. 4

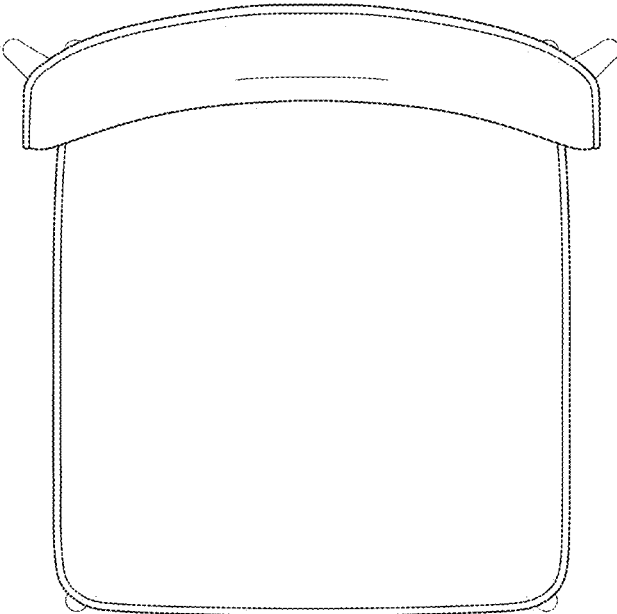


FIG. 5

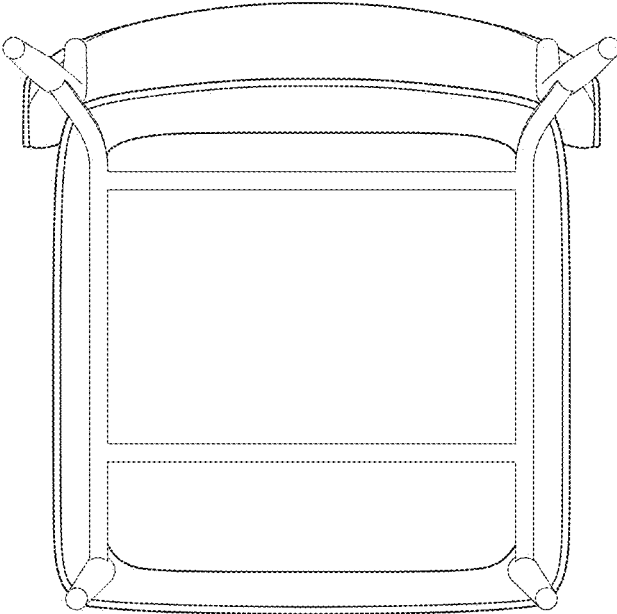


FIG. 6