



US00D747942S

(12) **United States Design Patent**
Ng et al.

(10) **Patent No.:** US D747,942 S

(45) **Date of Patent:** ** Jan. 26, 2016

(54) **MULTIPLE RIVET DRIVER FOR A POWER TOOL**

(71) Applicant: **Flexible Steel Lacing Company,**
Downers Grove, IL (US)

(72) Inventors: **Pan Yim Ng,** Chicago, IL (US); **David Allen Lotarski,** Sheridan, IL (US)

(73) Assignee: **Flexible Steel Lacing Company,**
Downers Grove, IL (US)

(**) Term: **14 Years**

(21) Appl. No.: **29/469,591**

(22) Filed: **Oct. 11, 2013**

(51) **LOC (10) Cl.** **08-03**

(52) **U.S. Cl.**

USPC **D8/70**

(58) **Field of Classification Search**

USPC D8/29.1, 30, 38, 61, 68, 70, 71, 107,
D8/386; D10/73; D15/122; 30/481, 487,
30/489, 490; 33/572, 815, 838; 83/914;
206/3; 227/1, 6; 248/148, 415;
408/112, 124, 141

See application file for complete search history.

(56) **References Cited**

U.S. PATENT DOCUMENTS

3,670,943	A	*	6/1972	Berger	227/60
4,620,657	A	*	11/1986	Gladding et al.	227/147
D324,472	S	*	3/1992	Gandlmayr	D8/70
D330,318	S	*	10/1992	Snider	D8/70
D331,357	S	*	12/1992	Snider	D8/70
D339,277	S	*	9/1993	Snider	D8/71
5,337,946	A		8/1994	Richardson et al.		
5,487,217	A		1/1996	Richardson et al.		
D369,732	S	*	5/1996	Rosier	D8/68

D369,733	S	*	5/1996	Rosier	D8/68
5,524,808	A		6/1996	Vogrig		
D377,898	S	*	2/1997	Frame	D8/386
5,653,372	A		8/1997	Richardson et al.		
5,680,790	A		10/1997	Richardson et al.		
D407,615	S	*	4/1999	Cerulo et al.	D8/51
D423,896	S	*	5/2000	Steiner et al.	D8/61
7,077,263	B1		7/2006	Richardson et al.		
7,493,682	B2		2/2009	Richardson et al.		
7,818,858	B2		10/2010	Daniels et al.		
8,082,646	B2		12/2011	Richardson et al.		
8,403,139	B2		3/2013	Richardson et al.		
2005/0230278	A1	*	10/2005	Vogrig et al.	206/338
2009/0106973	A1		4/2009	Richardson et al.		
2009/0107810	A1		4/2009	Richardson et al.		
2012/0227231	A1		9/2012	Richardson et al.		
2012/0228170	A1		9/2012	Richardson et al.		
2013/0105542	A1		5/2013	Richardson et al.		

* cited by examiner

Primary Examiner — Philip S Hyder

Assistant Examiner — Darlington Ly

(74) *Attorney, Agent, or Firm* — Fitch, Even, Tabin & Flannery LLP

(57) **CLAIM**

We claim the ornamental design for a multiple rivet driver for a power tool, as shown and described.

DESCRIPTION

FIG. 1 is a perspective view of a multiple rivet driver for a power tool, showing my new design;

FIG. 2 is a front elevational view thereof;

FIG. 3 is a rear elevational view thereof;

FIG. 4 is a left side elevational view thereof;

FIG. 5 is a right side elevational view thereof;

FIG. 6 is a top plan view thereof;

FIG. 7 is a bottom plan view thereof; and,

FIG. 8 is a bottom perspective view thereof.

1 Claim, 5 Drawing Sheets

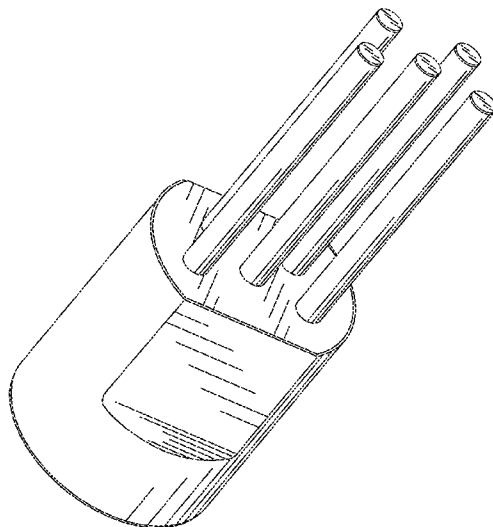
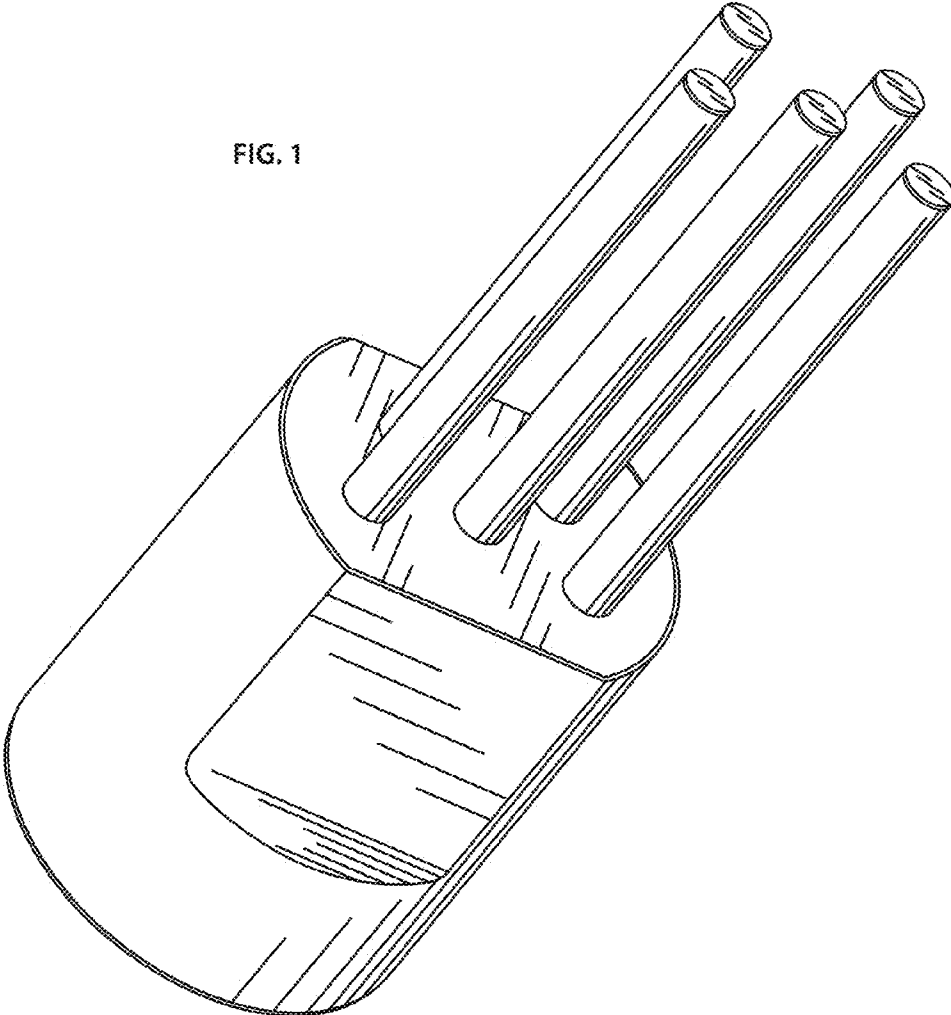


FIG. 1



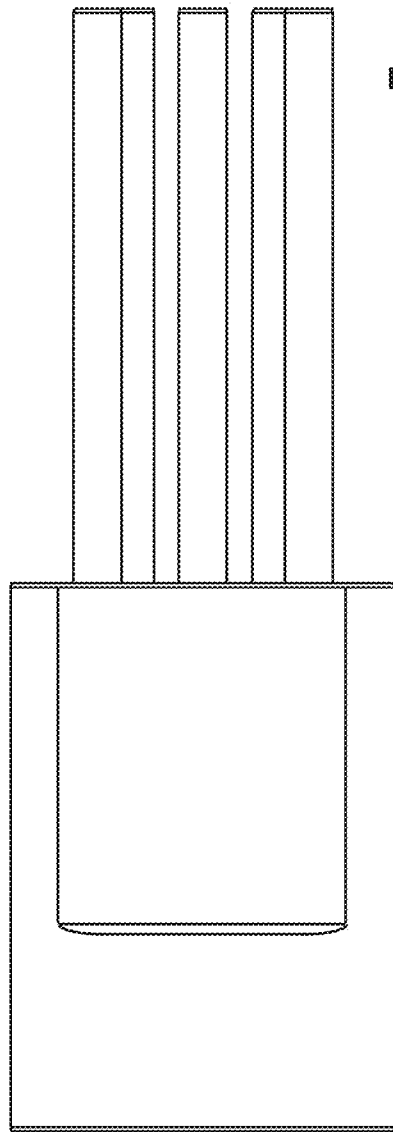


FIG. 2

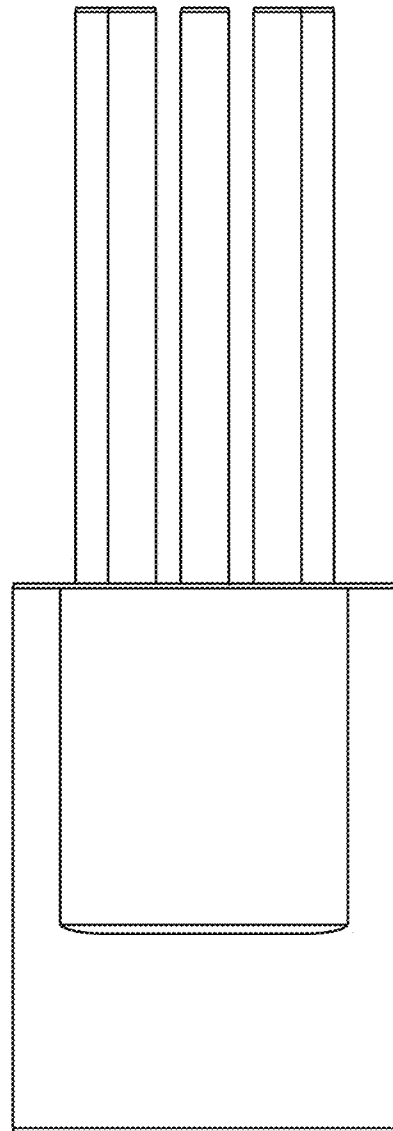


FIG. 3

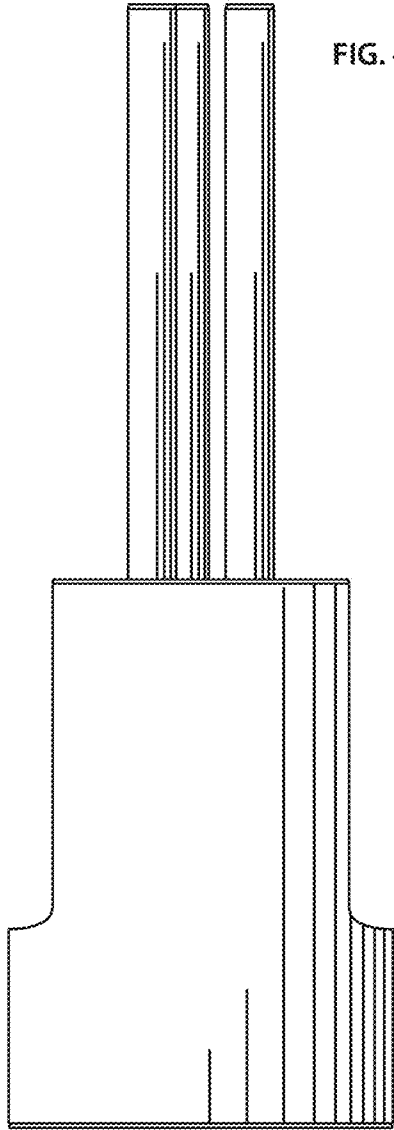


FIG. 4

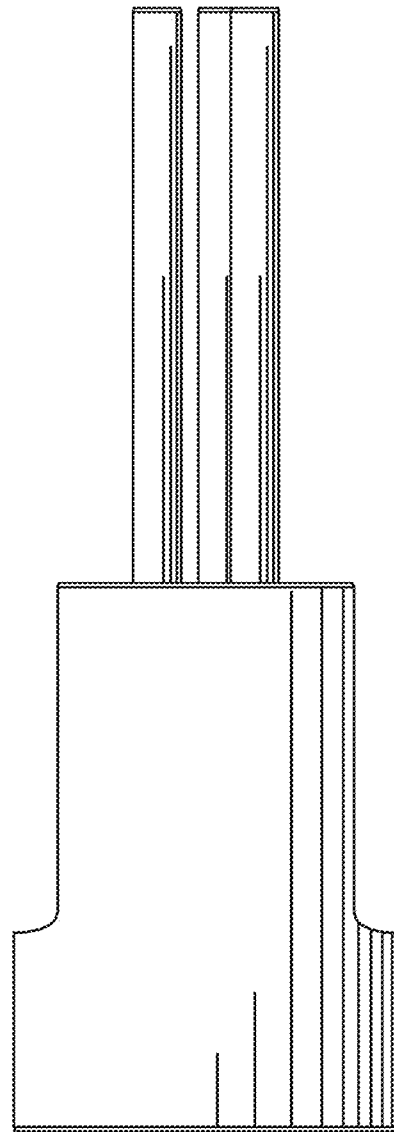


FIG. 5

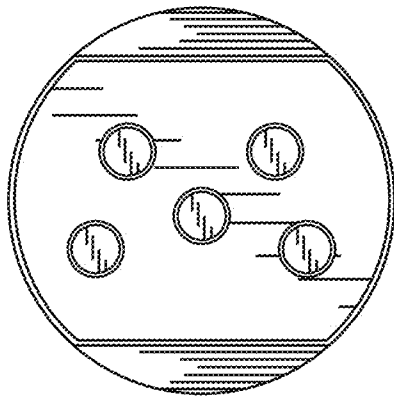


FIG. 6

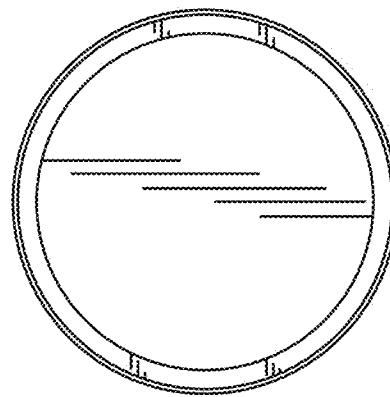


FIG. 7

FIG. 8

