



US00D655603S

(12) **United States Design Patent**  
**Taylor et al.**

(10) **Patent No.:** **US D655,603 S**  
(45) **Date of Patent:** **\*\* Mar. 13, 2012**

(54) **CONTAINER**

(75) Inventors: **Jonathan Paul Taylor**, Bristol (GB);  
**Dennis Broberg**, Trollhättan (SE)

(73) Assignee: **McNeil-AB** (SE)

(\*\*) Term: **14 Years**

(21) Appl. No.: **29/400,253**

(22) Filed: **Aug. 25, 2011**

**Related U.S. Application Data**

(62) Division of application No. 29/389,419, filed on Apr. 12, 2011, now Pat. No. Des. 646,162, which is a division of application No. 29/378,646, filed on Nov. 8, 2010, now Pat. No. Des. 638,699, which is a division of application No. 29/363,488, filed on Jun. 10, 2010, now Pat. No. Des. 628,469.

(51) **LOC (9) Cl.** ..... **09-03**

(52) **U.S. Cl.** ..... **D9/434**

(58) **Field of Classification Search** ..... D9/417,  
D9/420, 423, 428, 526, 537, 539, 540, 549;  
D3/257; D7/629; D28/76, 77; D34/11;  
222/556; 229/225-234, 125.09; 206/37,  
206/540, 564, 566; 220/254.3, 259.1, 713,  
220/819

See application file for complete search history.

(56) **References Cited**

**U.S. PATENT DOCUMENTS**

1,432,932 A	10/1922	Weis
1,433,439 A	10/1922	Weis
D139,383 S	11/1944	Lampl
D154,669 S	3/1948	Fields
D170,794 S	11/1953	Kolb
3,153,503 A	10/1964	Goldstein
D252,558 S	8/1979	Beck
4,185,767 A	1/1980	Sykora et al.
4,291,827 A	9/1981	Mulroy

D261,617 S	11/1981	Austin, Jr.
D272,419 S	1/1984	Persch
4,448,309 A	5/1984	Roccaforte et al.
4,453,665 A	6/1984	Roccaforte et al.
D278,207 S	4/1985	McLaughlin
4,706,879 A	11/1987	Cargile, Jr.
D305,301 S	1/1990	Gutkowski
5,118,034 A	6/1992	Tsao
D329,381 S	9/1992	Klapwald
D333,430 S	2/1993	Reiseneder
D336,428 S	6/1993	Burato
D337,052 S	7/1993	Anderson
D342,205 S	12/1993	Ritz
D344,889 S	3/1994	Kozlowski et al.
5,318,220 A	6/1994	Gagliardo
D349,644 S	8/1994	Miyairi et al.
5,411,204 A	5/1995	DeMay
5,458,270 A	10/1995	Tsao
5,553,739 A	9/1996	Plum et al.

(Continued)

*Primary Examiner* — Thomas Johannes

(74) *Attorney, Agent, or Firm* — Karen G. Horowitz

(57) **CLAIM**

We claim the ornamental design for a container, as shown and described.

**DESCRIPTION**

FIG. 1 is a front, left, top perspective view of a container showing our new design;

FIG. 2 is a front elevation view thereof;

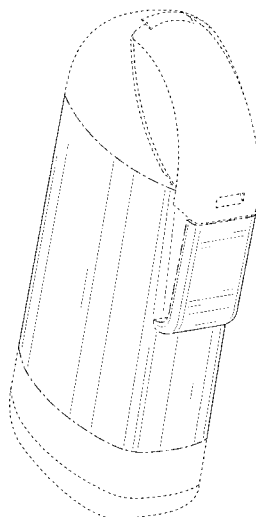
FIG. 3 is a back elevation view thereof;

FIG. 4 is a left side elevation view thereof with the right side elevation view being a mirror image thereto; and,

FIG. 5 is a bottom plan view thereof.

The simple dashed broken line shows unclaimed subject matter (the lid, portions of the closure mechanism and portions of the container body) and forms no part of the claimed design; whereas, the special dot-dash broken line defines the bounds of the claimed design area, and, itself, forms no part of the claimed design.

**1 Claim, 4 Drawing Sheets**



# US D655,603 S

## U.S. PATENT DOCUMENTS

D389,053 S	1/1998	Sherman et al.	D525,119 S	7/2006	Maskell et al.	
D394,347 S	5/1998	Girvetz	D534,794 S	1/2007	Akeson	
D397,247 S	8/1998	Gardner et al.	D537,338 S	2/2007	Jackson	
D399,649 S	10/1998	Girvetz	D539,642 S	4/2007	Tanner	
D400,006 S	10/1998	Girvetz	D540,161 S	4/2007	Terrasi	
5,816,484 A	10/1998	Buchalski et al.	D540,162 S	4/2007	Chin et al.	
D406,760 S	3/1999	Puglisi	D540,668 S	4/2007	Aldridge	
D410,196 S	5/1999	Berg	D544,789 S	6/2007	Kaufman	
5,915,558 A	6/1999	Girvetz	D545,186 S	6/2007	Liebe et al.	
5,954,228 A	9/1999	Minnette	D546,055 S	7/2007	Sinvani	
5,979,745 A	11/1999	Surlina	D546,176 S	7/2007	Degn	
6,050,483 A	4/2000	Harldsson et al.	D549,573 S	8/2007	Liebe et al.	
6,079,616 A	6/2000	Chinks et al.	D550,959 S	9/2007	Miller et al.	
D431,191 S	9/2000	Farris	D552,468 S	10/2007	Seum et al.	
D432,786 S	10/2000	Rogers	D553,500 S	10/2007	Bourghol	
D433,226 S	11/2000	Packard et al.	D554,987 S	11/2007	Terrasi	
D433,327 S	11/2000	Lillelund et al.	D557,134 S	12/2007	Wolpert et al.	
D434,217 S	11/2000	Packard et al.	D557,600 S	12/2007	Pettigrew et al.	
6,189,779 B1	2/2001	Verdicchio et al.	D557,615 S	12/2007	Kroupa	
6,199,687 B1	3/2001	Tambo et al.	D563,219 S	3/2008	Okin et al.	
D441,952 S	5/2001	Packard et al.	D565,838 S	4/2008	Arvidsson et al.	
D451,799 S	12/2001	Berger et al.	D565,946 S	4/2008	Cronin et al.	
D459,217 S	6/2002	Puglisi	D573,878 S	7/2008	Rathbone et al.	
D466,012 S	11/2002	Baker	D573,889 S *	7/2008	Short et al. ....	D9/529
D470,765 S	2/2003	Baker	D578,302 S	10/2008	Arvidsson et al.	
6,520,334 B1	2/2003	Hoover	D580,654 S	11/2008	Miller et al.	
D476,886 S	7/2003	Christianson	D587,898 S	3/2009	Cetera	
D480,634 S	10/2003	Caroen	D589,339 S	3/2009	Short et al.	
D484,046 S	12/2003	Kopecky	7,527,189 B2	5/2009	Billig et al.	
D485,184 S	1/2004	Hay et al.	D593,316 S	6/2009	Ruwiel	
D493,710 S	8/2004	Rowland, Sr.	D598,739 S	8/2009	Jimenez et al.	
D503,274 S	3/2005	Roche et al.	D598,781 S	8/2009	Schwartz et al.	
D503,530 S	4/2005	Roche et al.	7,569,008 B2	8/2009	Aldridge et al.	
D504,765 S	5/2005	Roche et al.	D601,337 S	10/2009	Hale	
D507,178 S	7/2005	Biddlecom et al.	D603,696 S	11/2009	Cardinal et al.	
D508,312 S	8/2005	Roche et al.	D604,502 S	11/2009	Lee et al.	
D509,055 S	9/2005	Sterns	D606,854 S	12/2009	Greenhalgh	
D509,732 S	9/2005	Staples	D616,753 S *	6/2010	Beam et al. ....	D9/529
6,948,634 B2	9/2005	Evans et al.	D628,469 S *	12/2010	Taylor et al. ....	D9/420
D513,584 S	1/2006	Solowiejko et al.	D644,892 S *	9/2011	Stamper et al. ....	D7/629
D515,804 S	2/2006	Chue	D645,221 S *	9/2011	Brown et al. ....	D34/11
D517,799 S	3/2006	Oas	D646,162 S *	10/2011	Taylor et al. ....	D9/434
D519,038 S	4/2006	Stoddard et al.	2005/0269233 A1	12/2005	Aldridge	
D523,743 S	6/2006	Solowiejko et al.	2008/0223912 A1	9/2008	Ayats Ardite et al.	
D524,167 S	7/2006	Wilson				

\* cited by examiner

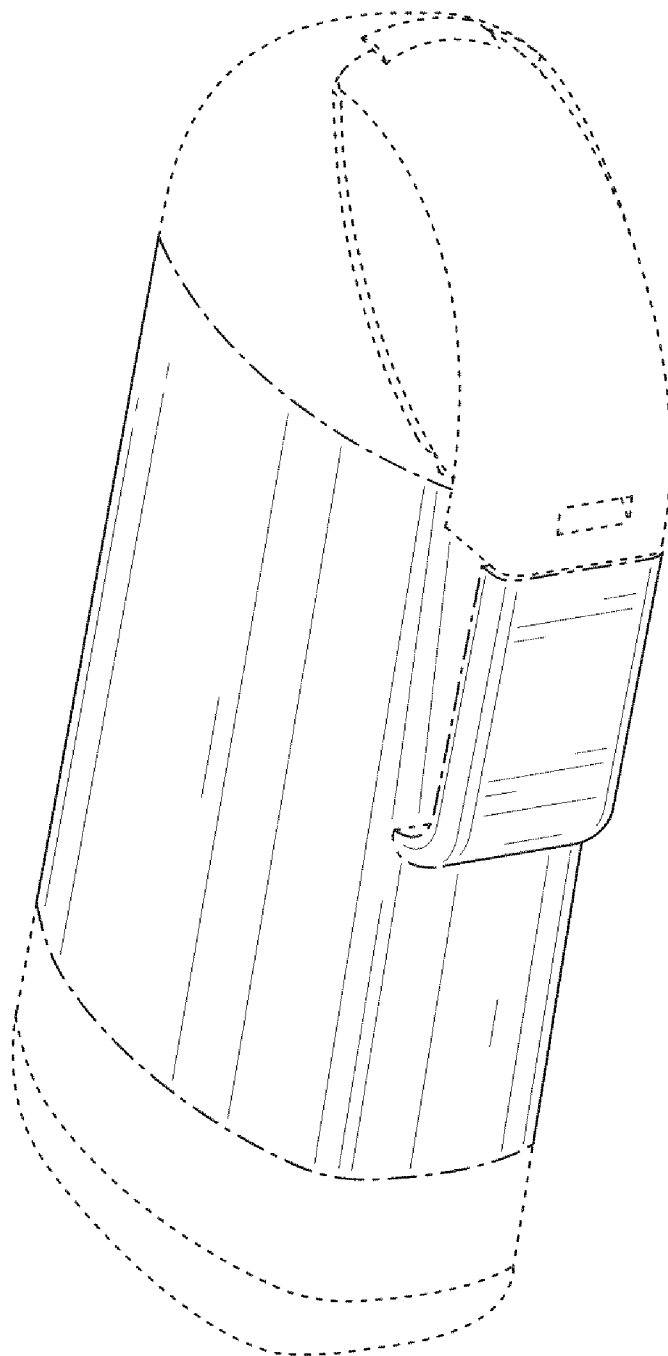


FIG. 1

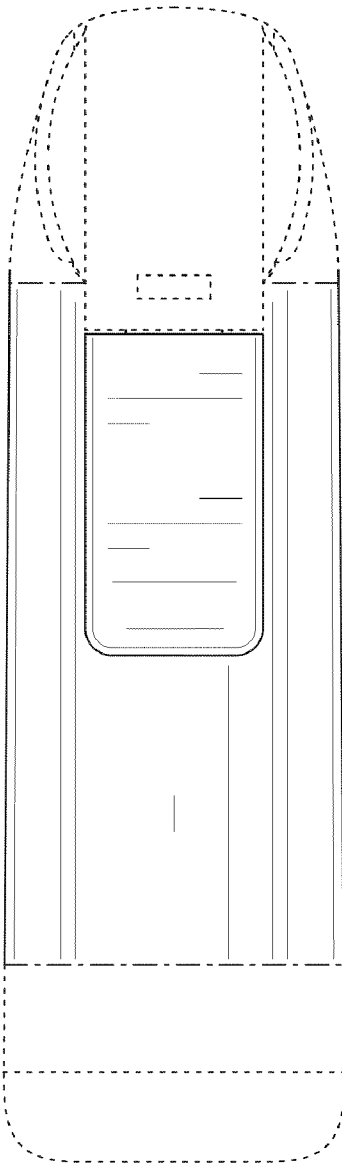


FIG. 2

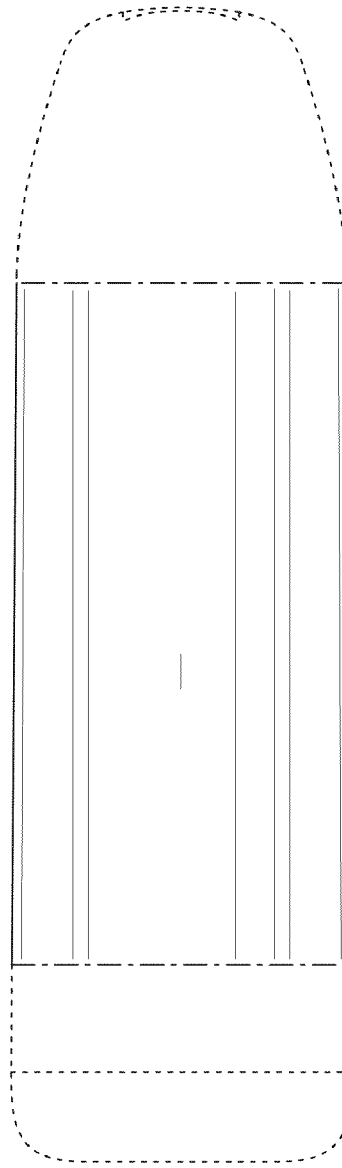


FIG. 3

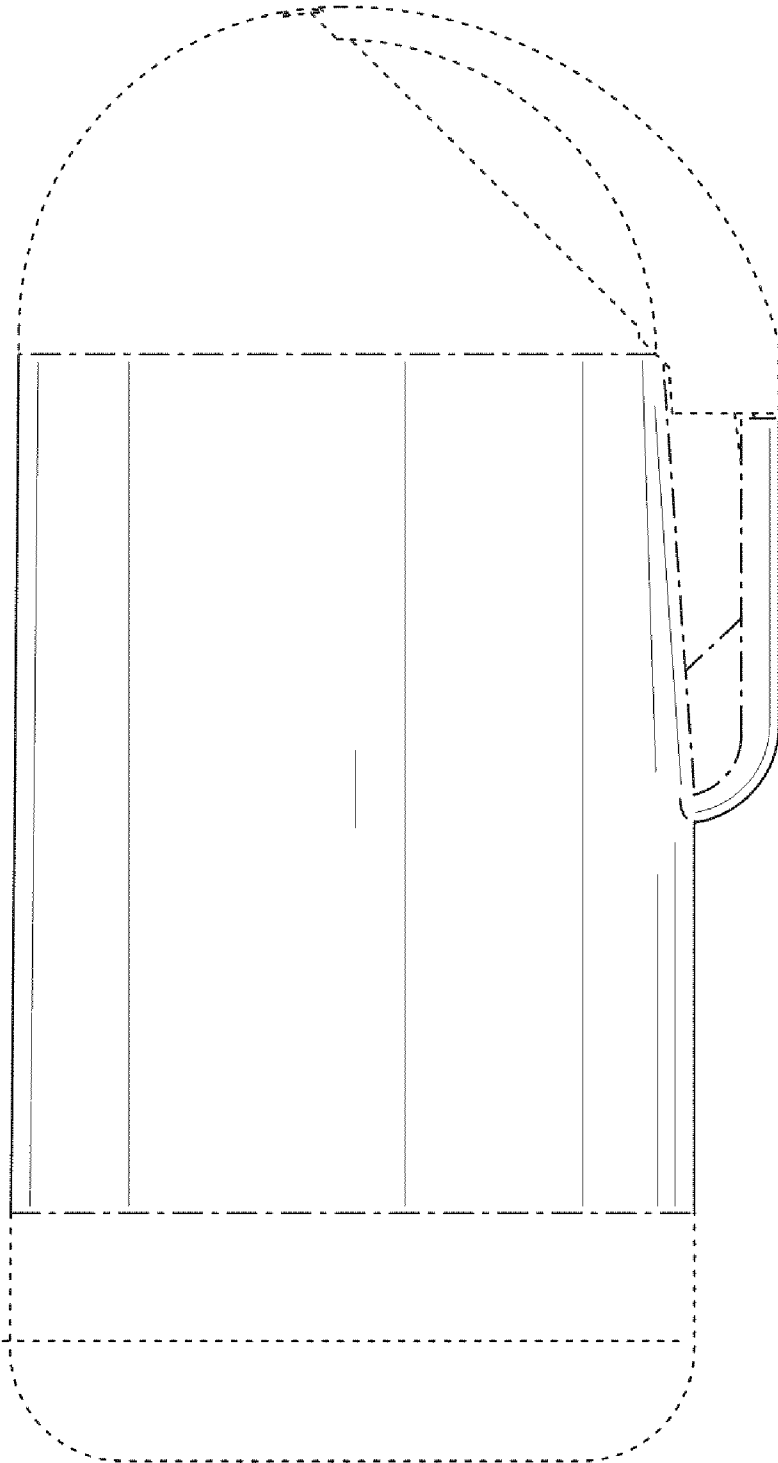


FIG. 4

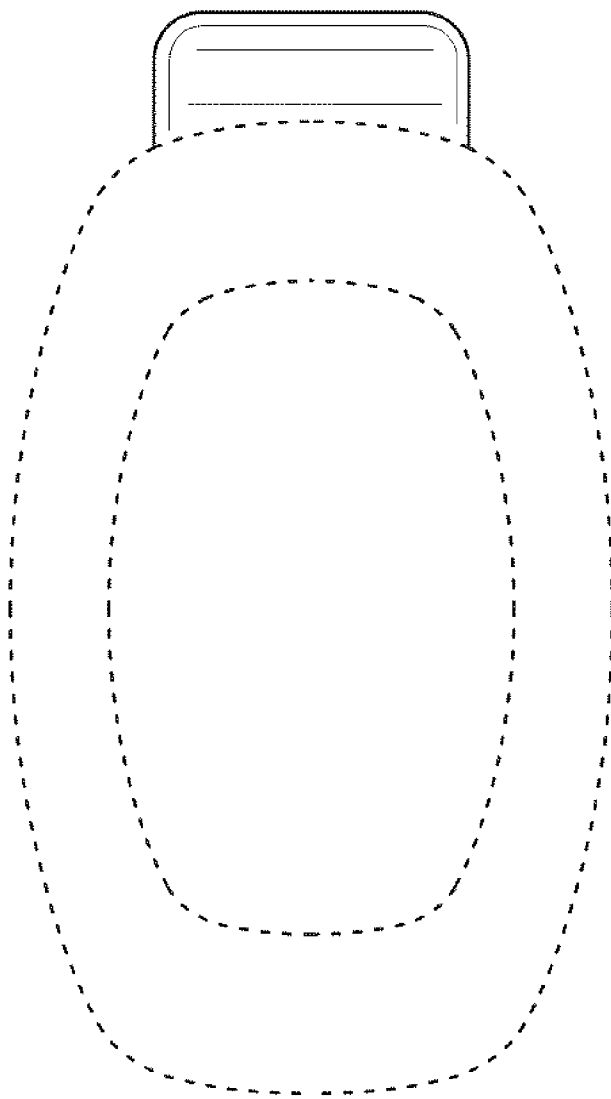


FIG. 5