



US00D862622S

(12) **United States Design Patent**
Goserud

(10) **Patent No.:** **US D862,622 S**

(45) **Date of Patent:** **** Oct. 8, 2019**

- (54) **GOLF PUTTING DEVICE**
- (71) Applicant: **J. Thomas Goserud**, Landisville, PA (US)
- (72) Inventor: **J. Thomas Goserud**, Landisville, PA (US)
- (**) Term: **15 Years**
- (21) Appl. No.: **29/634,664**
- (22) Filed: **Jan. 24, 2018**

4,878,671	A *	11/1989	Gubany	A63B 67/02	473/195
4,906,006	A *	3/1990	Signick	A63B 57/357	473/185
5,257,808	A *	11/1993	Mueller	A63B 69/3623	473/174
D346,831	S *	5/1994	Adams	D21/790	
5,487,545	A *	1/1996	Schindler	A63B 69/3676	473/187
D411,601	S *	6/1999	Fong	D21/791	
5,997,406	A *	12/1999	Selton	A63B 63/007	473/180
7,914,387	B1 *	3/2011	Gugliotti	A63B 67/02	473/174
9,327,176	B1 *	5/2016	Goserud	A63B 69/3676	
D780,870	S *	3/2017	Hamilton	A63B 57/40	D21/791
D795,376	S *	8/2017	Keisler	D21/791	
D816,178	S *	4/2018	Goserud	D21/794	

Related U.S. Application Data

- (63) Continuation-in-part of application No. 29/594,174, filed on Feb. 16, 2017, now Pat. No. Des. 816,178.
 - (51) **LOC (12) Cl.** **21-02**
 - (52) **U.S. Cl.**
USPC **D21/791**
 - (58) **Field of Classification Search**
USPC D21/789, 791
CPC A63B 69/3676; A63B 69/3697; A63B 69/3608; A63B 69/3661; A63B 69/3667; A63B 63/00; A63B 63/007; A63B 57/357; A63B 57/40
- See application file for complete search history.

* cited by examiner

Primary Examiner — Mitchell I. Siegel
(74) *Attorney, Agent, or Firm* — Dunlap Bennett & Ludwig PLLC; Brendan E. Squire

(57) **CLAIM**

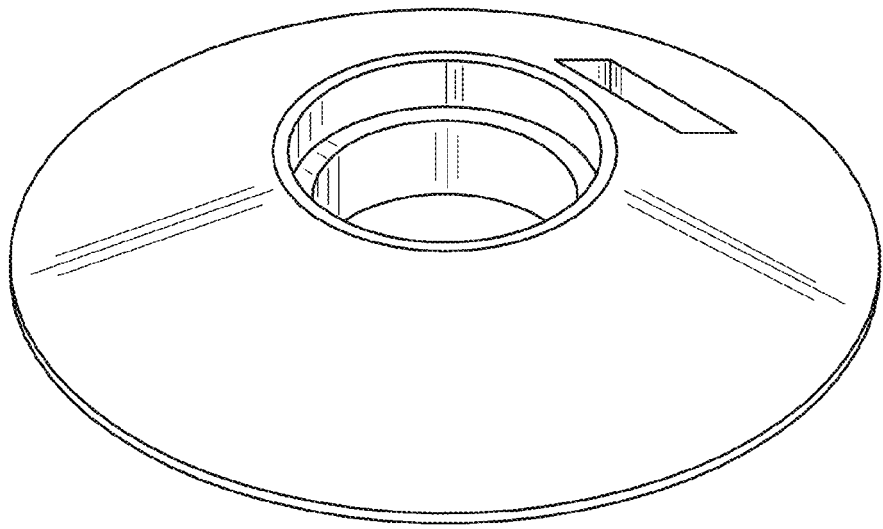
The ornamental design for a golf putting device, as shown and described.

DESCRIPTION

FIG. 1 is a perspective view of a first configuration of the golf putting device;
FIG. 2 is a rear elevation view thereof;
FIG. 3 is a top plan view thereof;
FIG. 4 is a bottom plan view thereof;
FIG. 5 is a right side elevation view thereof;
FIG. 6 is a front elevation view thereof; and,
FIG. 7 is a cross sectional view thereof, taken along line 7-7 of FIG. 3.

1 Claim, 5 Drawing Sheets

- (56) **References Cited**
U.S. PATENT DOCUMENTS
- 1,287,903 A * 12/1918 Daily A63B 57/357 473/180
- D174,253 S * 3/1955 Evans D21/790
- 2,933,318 A * 4/1960 Boynton A63B 63/00 473/186
- 3,752,482 A * 8/1973 Cassel A63B 57/357 473/169
- D242,370 S * 11/1976 Arndt D21/790
- D257,785 S * 1/1981 Arndt D21/790



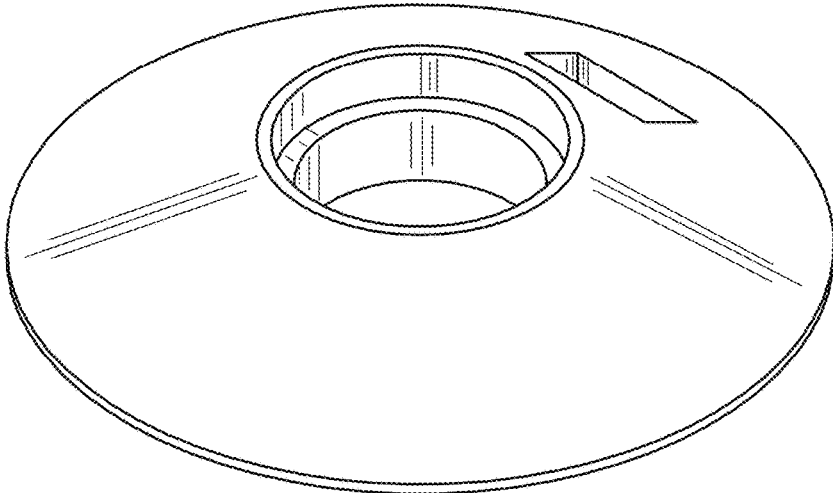


Fig. 1

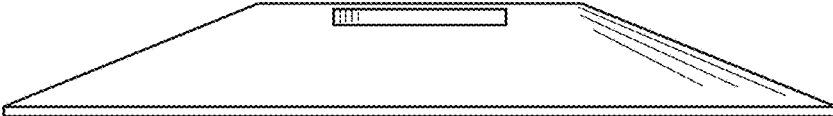


Fig. 2

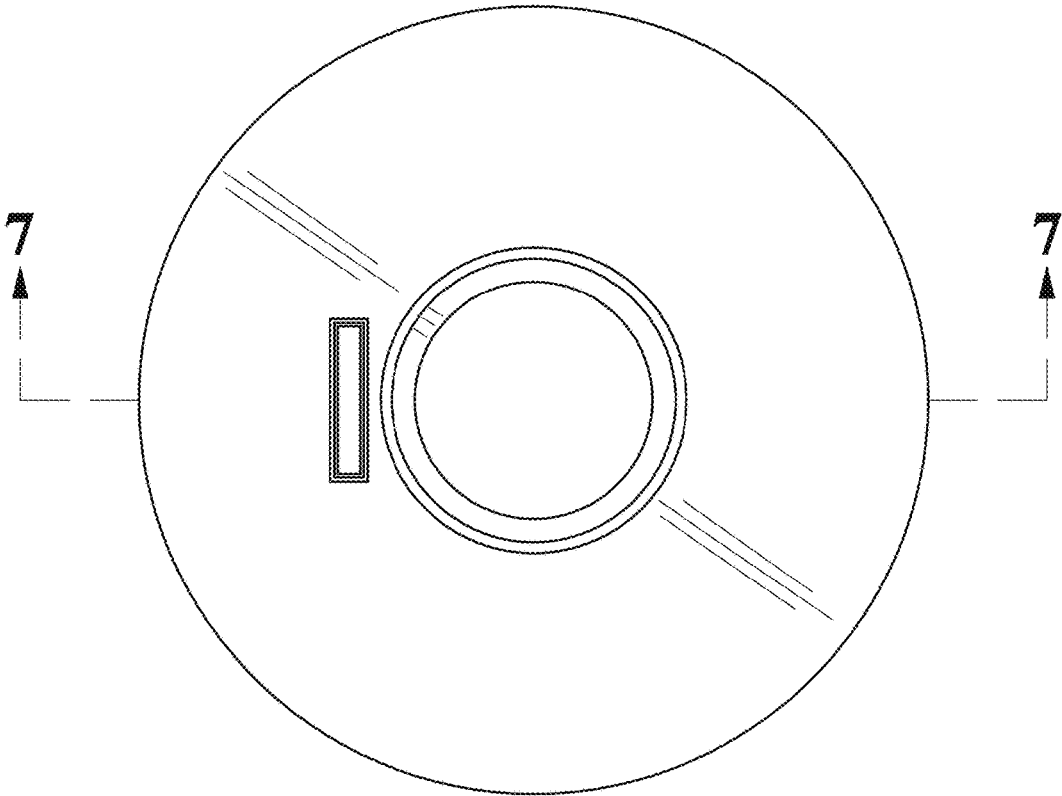


Fig. 3

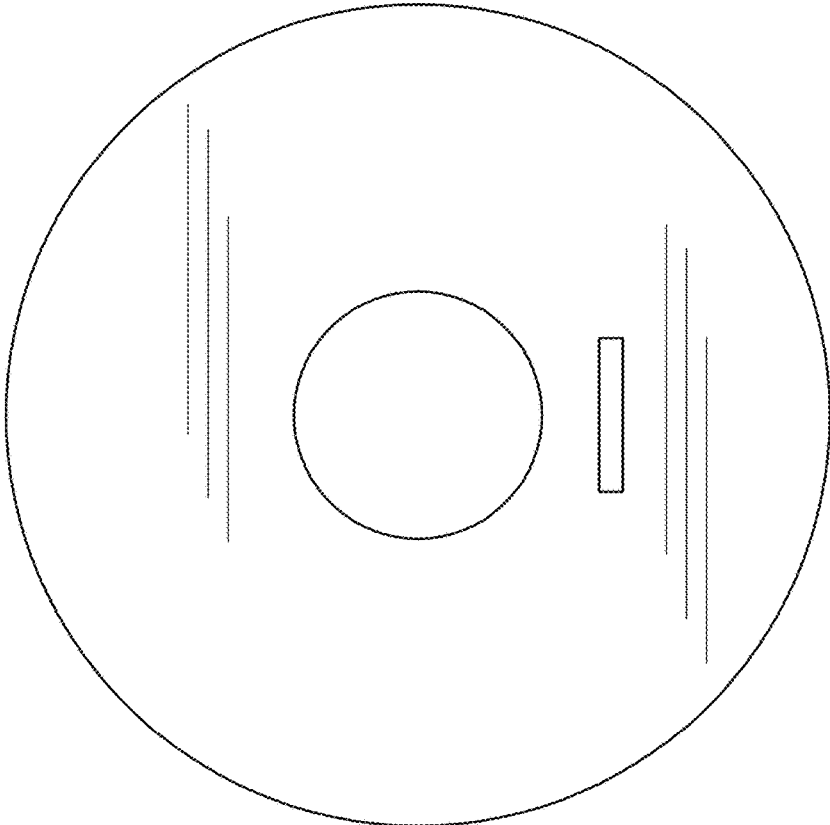


Fig. 4



Fig. 5



Fig. 6

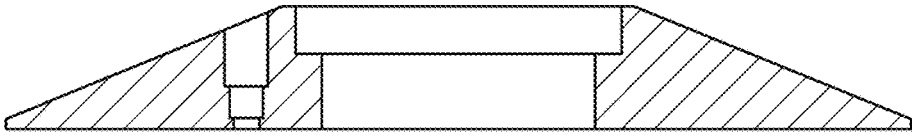


Fig. 7