



US00D825527S

(12) **United States Design Patent** (10) **Patent No.:** **US D825,527 S**
Won et al. (45) **Date of Patent:** **** Aug. 14, 2018**

(54) **AUDIO VISUAL BOX FOR TV RECEIVER**

(71) Applicant: **LG ELECTRONICS INC.**, Seoul (KR)

(72) Inventors: **Hyojin Won**, Seoul (KR); **Hyeyoung Hong**, Seoul (KR); **Yongho Lee**, Seoul (KR); **Youngkyoung Kim**, Seoul (KR)

(73) Assignee: **LG ELECTRONICS INC.**, Seoul (KR)

(**) Term: **15 Years**

(21) Appl. No.: **35/502,962**

(22) Filed: **Nov. 8, 2016**

(80) **Hague Agreement Data**

Int. Filing Date: **Nov. 8, 2016**
Int. Reg. No.: **DM/093423**
Int. Reg. Date: **Nov. 8, 2016**
Int. Reg. Pub. Date: **May 12, 2017**

(51) **LOC (11) Cl.** **14-03**

(52) **U.S. Cl.** **D14/215**

USPC **D14/215**

CPC **H04R 1/023** (2013.01)

(58) **Field of Classification Search**

USPC D14/125, 126, 193-133, 375, 376, 221, D14/224, 224.1, 239, 242, 204, 209.1, D14/210-216, 357-358, 451, 496, 172, D14/194, 195

CPC . B60R 11/0217; B60R 11/0223; H04R 1/023; H04R 1/025; H04R 1/323; H04R 5/02; H04R 19/02; H04F 2400/00; H04F 2400/07; H04F 2400/11; G06F 1/16

See application file for complete search history.

(56) **References Cited**

U.S. PATENT DOCUMENTS

D629,374 S * 12/2010 Fujii D14/126
D638,823 S * 5/2011 Schindler D14/214

D654,907 S * 2/2012 McManigal D14/214
D655,274 S * 3/2012 McManigal D14/214
D676,831 S * 2/2013 Onoue D14/215
D681,606 S * 5/2013 Nishii D14/214
D715,257 S * 10/2014 Son D14/214
D726,153 S * 4/2015 Chang D14/214
D738,853 S * 9/2015 Savage D14/214
D748,072 S * 1/2016 Jones D14/204
D756,961 S * 5/2016 White D14/214
D756,962 S * 5/2016 White D14/214
D756,963 S * 5/2016 White D14/214
D756,964 S * 5/2016 White D14/214
D757,686 S * 5/2016 White D14/214
D757,687 S * 5/2016 White D14/214
D759,624 S * 6/2016 Byrd D14/204
D759,630 S * 6/2016 Huang D14/214
D801,306 S * 10/2017 Czaniecki D14/215
D802,560 S * 11/2017 Kitazawa D14/214
D805,125 S * 12/2017 Choi D17/1

* cited by examiner

Primary Examiner — Richard E Chilcot

(74) *Attorney, Agent, or Firm* — Birch, Stewart, Kolasch & Birch, LLP

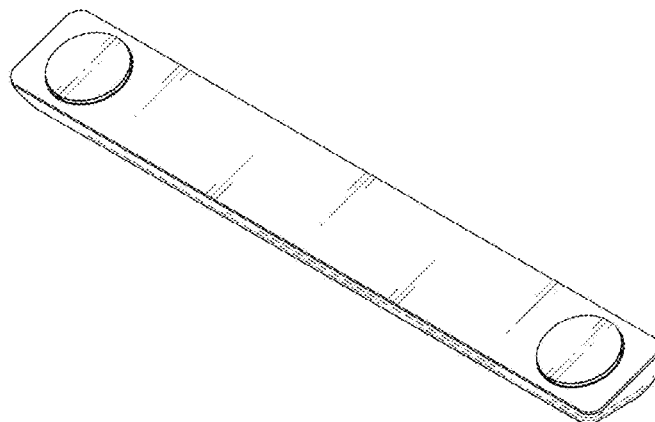
(57) **CLAIM**

The ornamental design for an audio visual box for TV receiver, as shown and described.

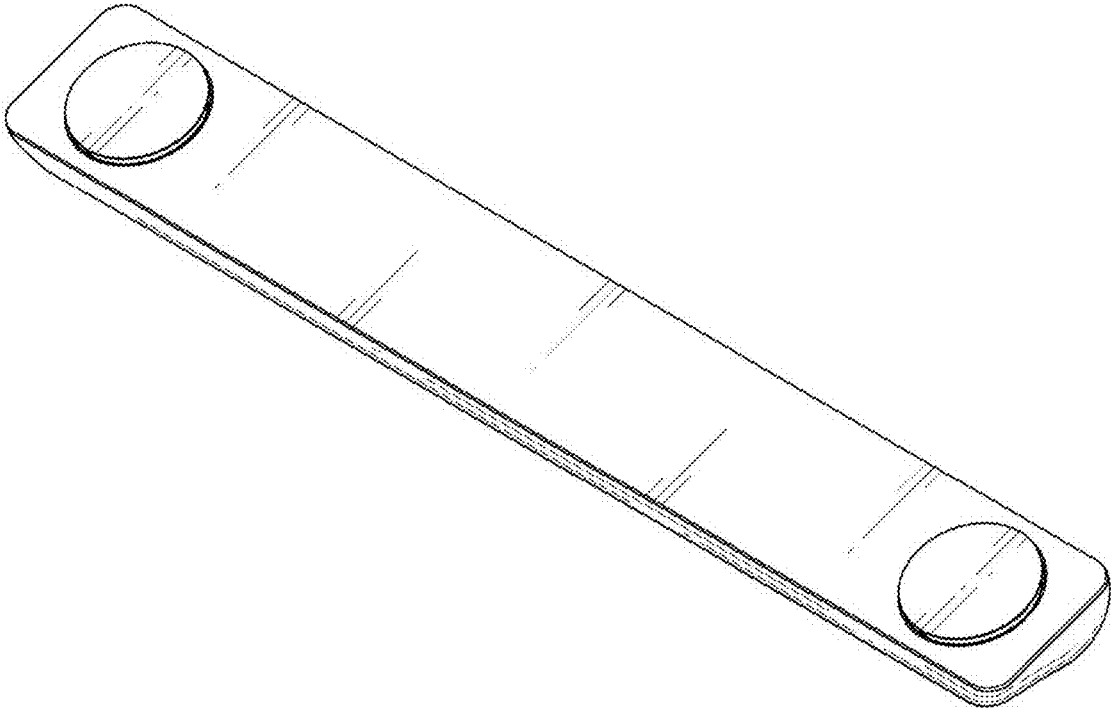
DESCRIPTION

- 1. Audio visual box for TV receiver
- 1.1 : Perspective
- 1.2 : Front
- 1.3 : Back
- 1.4 : Left
- 1.5 : Right
- 1.6 : Top
- 1.7 : Bottom

1 Claim, 7 Drawing Sheets



1.1



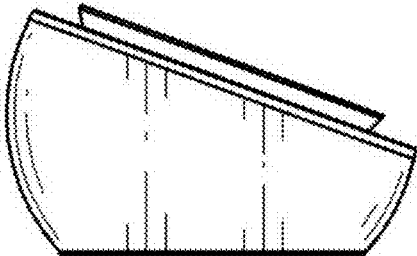
1.2



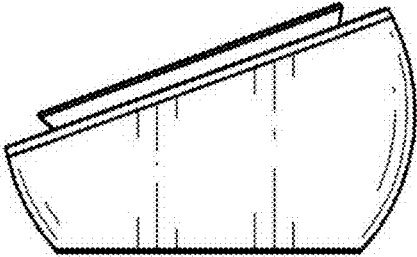
1.3



1.4



1.5



1.6



1.7

