



US0D1001704S

(12) **United States Design Patent**
Chen

(10) **Patent No.:** **US D1,001,704 S**

(45) **Date of Patent:** **** Oct. 17, 2023**

(54) **CAR DOOR SIDE STORAGE BOX**

(71) Applicant: **Guangzhou Huadi Industrial Co., Ltd.**, Guangzhou (CN)

(72) Inventor: **Caihua Chen**, Zhuzhou (CN)

(**) Term: **15 Years**

(21) Appl. No.: **29/820,004**

(22) Filed: **Dec. 20, 2021**

(30) **Foreign Application Priority Data**

Nov. 23, 2021 (CN) 202130771844.7

(51) **LOC (14) Cl.** **12-16**

(52) **U.S. Cl.**
USPC **D12/425**

(58) **Field of Classification Search**

USPC D12/195, 400, 406, 415, 416, 420, 424, D12/425, 426

CPC B63B 7/085; B63B 17/00; B63B 35/00; B63B 25/00; B60R 16/04

See application file for complete search history.

(56) **References Cited**

U.S. PATENT DOCUMENTS

D430,090 S *	8/2000	Walterscheid	D12/195
D548,156 S *	8/2007	Elwell	D12/195
D552,022 S *	10/2007	Elwell	D12/195
D556,109 S *	11/2007	Elwell	D12/195

D726,096 S *	4/2015	Schmalz	D12/415
D744,935 S *	12/2015	Ahn	D12/425
D769,179 S *	10/2016	Demos	D12/416
D793,948 S *	8/2017	Nunez	D12/415
D818,933 S *	5/2018	Jewers	D12/415
D823,231 S *	7/2018	Yancey	D12/415
D963,549 S *	9/2022	Li	D12/425
D963,550 S *	9/2022	Pan	D12/425
D964,913 S *	9/2022	Yang	D12/425
D974,995 S *	1/2023	Gan	D12/425

* cited by examiner

Primary Examiner — Susan E Krakower

Assistant Examiner — Jerry Shiuan-Hua Hsu

(57) **CLAIM**

The ornamental design for a car door side storage box, substantially as shown and described.

DESCRIPTION

FIG. 1 is a front perspective view of car door side storage box, showing my new design;

FIG. 2 is a rear perspective view thereof.

FIG. 3 is a front elevational view thereof;

FIG. 4 is a rear elevational view thereof;

FIG. 5 is a left side elevational view thereof;

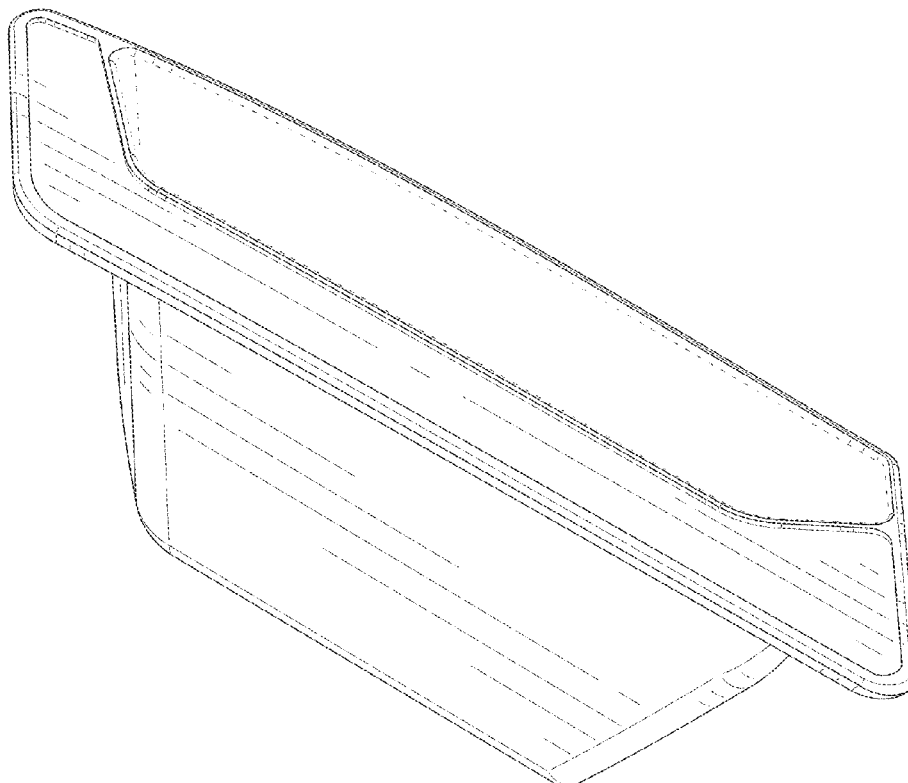
FIG. 6 is a right side elevational view thereof;

FIG. 7 is a top plan view thereof; and,

FIG. 8 is a bottom plan view thereof.

The broken lines illustrate portions of the car door side storage box which form no part of the claimed design.

1 Claim, 8 Drawing Sheets



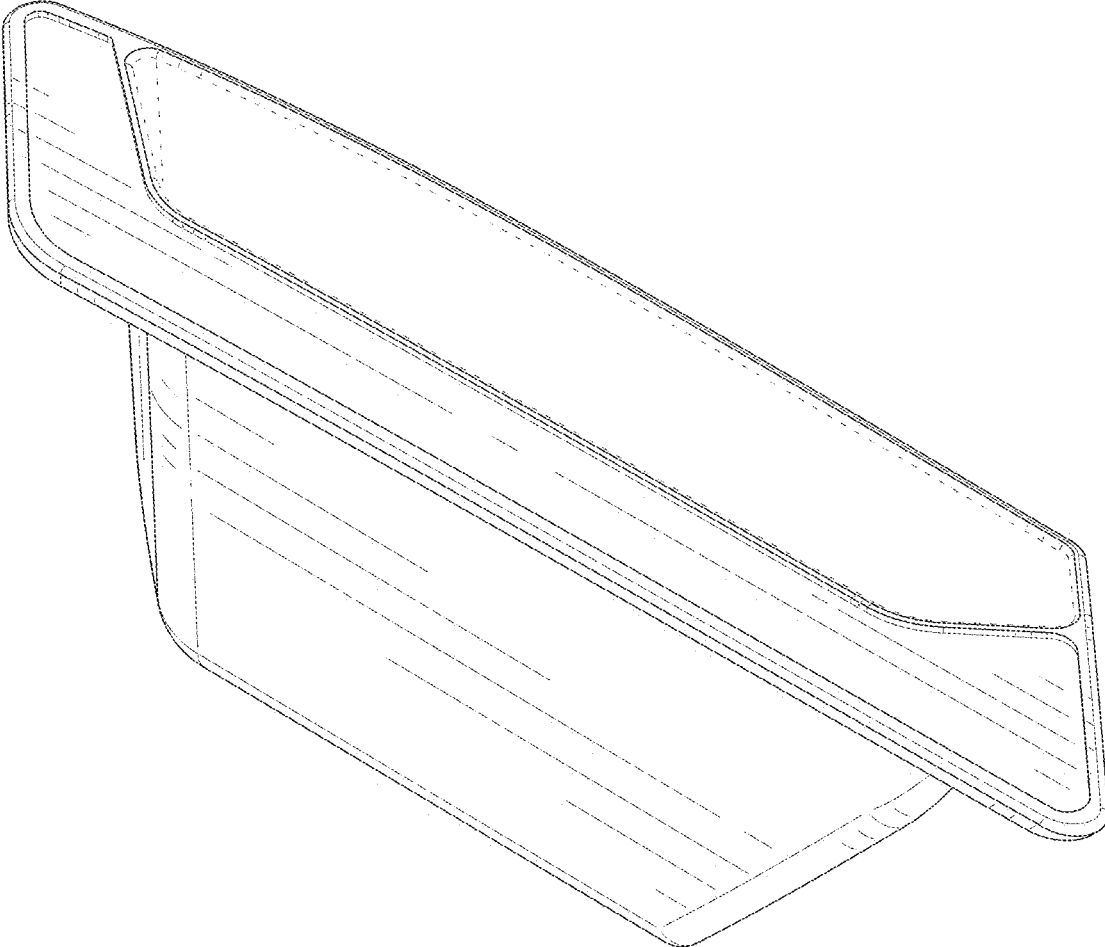


FIG. 1

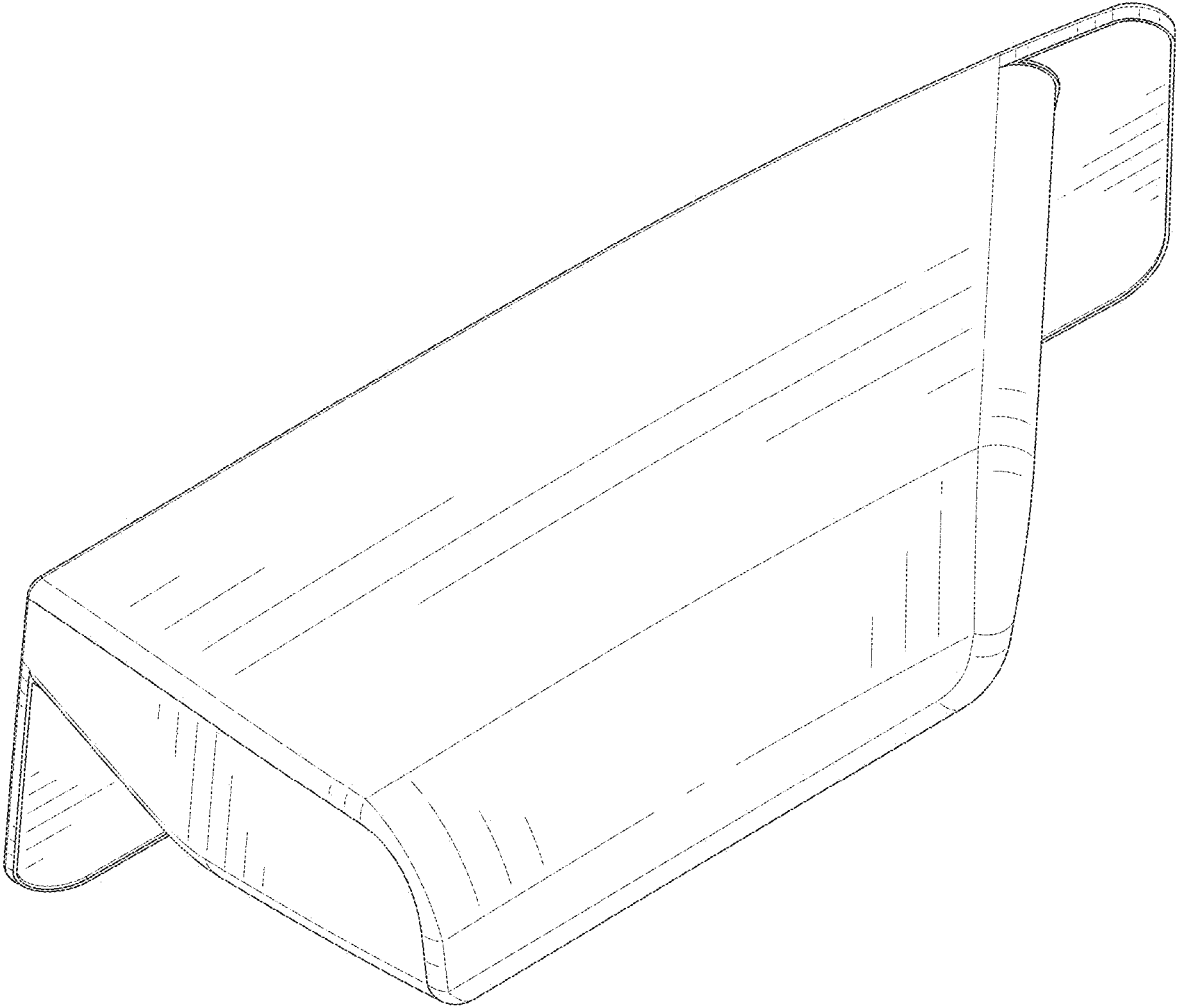


FIG. 2

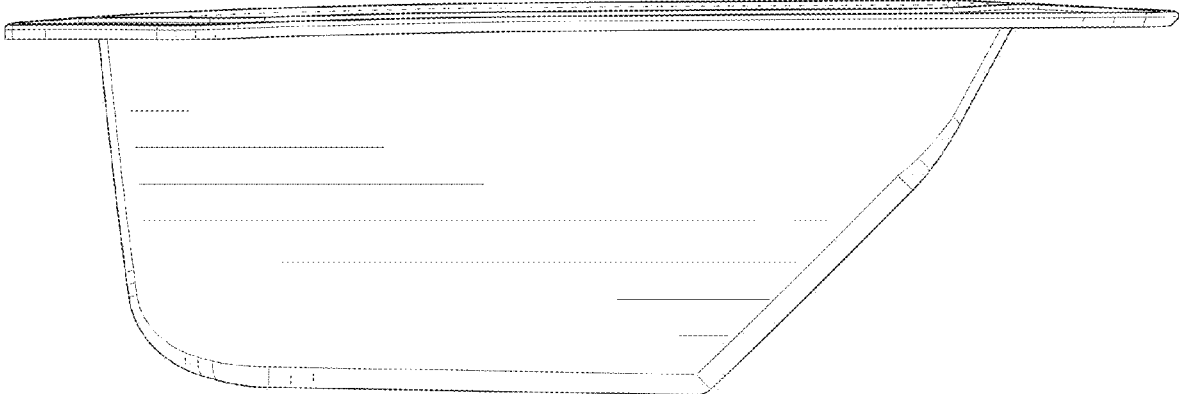


FIG. 3

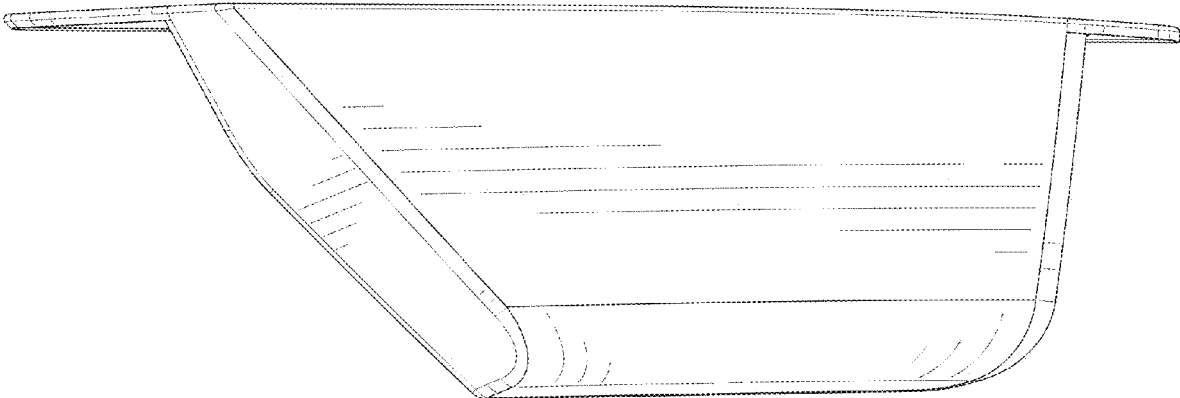


FIG. 4

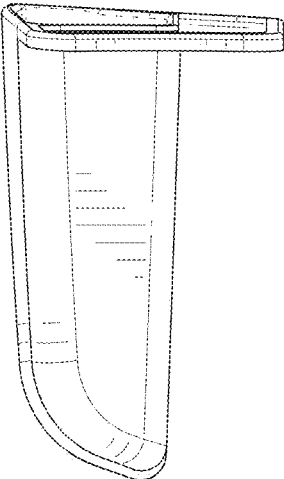


FIG. 5

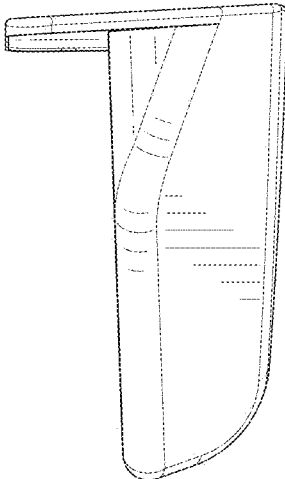


FIG. 6

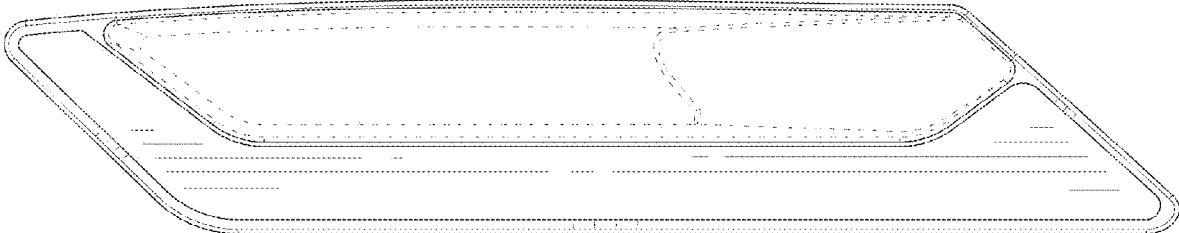


FIG. 7

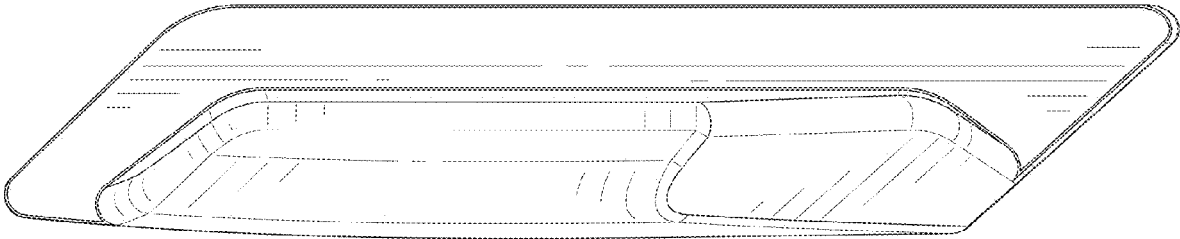


FIG. 8