



US0D1025758S

(12) **United States Design Patent**
Wang

(10) **Patent No.:** **US D1,025,758 S**

(45) **Date of Patent:** **** May 7, 2024**

- (54) **MAGNETIC HOOK**
- (71) Applicant: **Dongqian Wang**, Guangdong (CN)
- (72) Inventor: **Dongqian Wang**, Guangdong (CN)
- (**) Term: **15 Years**
- (21) Appl. No.: **29/897,179**
- (22) Filed: **Jul. 12, 2023**
- (51) **LOC (14) Cl.** **08-11**
- (52) **U.S. Cl.**
USPC **D8/367**
- (58) **Field of Classification Search**
USPC D8/367, 370, 372
CPC F16B 2/248; F16B 45/012; F16B 45/00;
F16B 47/003; A47G 1/17; A47G 1/175;
A47G 1/20; A47G 25/0635; B29L
2031/738; F16M 13/02
See application file for complete search history.

6,814,335 B2 * 11/2004 Immerman A47G 25/0614
248/205.5
D516,413 S * 3/2006 Anderson D8/373
D545,669 S * 7/2007 Hall D8/367
(Continued)

FOREIGN PATENT DOCUMENTS

CN 305926435 * 7/2020
CN 307509358 * 8/2022
(Continued)

OTHER PUBLICATIONS

Ant Mag Magnet Hooks; See Attached Appendix "Notice of References Cited—Continuation Sheet of Non-Patent Documents—Section U—p. 1" for NPL Information.*
(Continued)

Primary Examiner — Sheryl Lane
Assistant Examiner — Ieisha N Price
(74) *Attorney, Agent, or Firm* — Che-Yang Chen; Law Office of Michael Chen

(56) **References Cited**

U.S. PATENT DOCUMENTS

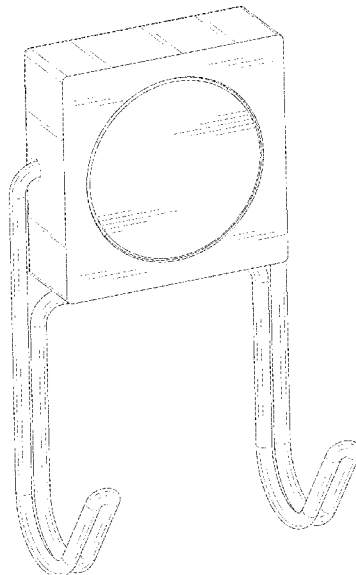
- 499,608 A * 6/1893 Taylor F16B 2/248
248/218.3
- 499,609 A * 6/1893 Taylor F16B 2/248
248/218.3
- D31,631 S * 10/1899 Rawley D8/370
- 4,101,107 A * 7/1978 Antoszewski F16M 13/02
248/291.1
- D300,804 S * 4/1989 Myers D34/5
- D315,860 S * 4/1991 Joss D8/367
- D396,405 S * 7/1998 Zaccardelli D8/373
- D412,250 S * 7/1999 Pardue D8/372
- D423,337 S * 4/2000 Laga D8/372
- D431,451 S * 10/2000 Kuo D8/367
- D449,977 S * 11/2001 Dembowiak D8/367
- 6,749,165 B2 * 6/2004 Immerman A47G 1/17
248/205.5
- D497,306 S * 10/2004 Anderson D8/372

(57) **CLAIM**
The ornamental design for a magnetic hook, as shown and described.

DESCRIPTION

FIG. 1 is a front perspective view of the magnetic hook showing my new design;
FIG. 2 is a rear perspective view thereof;
FIG. 3 is a front elevational view thereof;
FIG. 4 is a rear elevational view thereof;
FIG. 5 is a left side elevational view thereof;
FIG. 6 is a right side elevational view thereof;
FIG. 7 is a top plan view thereof; and,
FIG. 8 is a bottom plan view thereof.
The broken lines shown in the drawings depict portions of the magnetic hook that form no part of the claimed design.

1 Claim, 8 Drawing Sheets



(56)

References Cited

U.S. PATENT DOCUMENTS

D577,576 S * 9/2008 Ernst D8/373
 D581,771 S * 12/2008 Ernst D8/372
 D591,143 S * 4/2009 Ernst D8/372
 8,114,226 B2 * 2/2012 Ernst C21D 9/50
 148/575
 8,191,845 B1 * 6/2012 Yu A47F 5/0853
 248/220.42
 D737,125 S * 8/2015 Callif D8/372
 D801,786 S * 11/2017 Pan D8/367
 D808,780 S 1/2018 Kim et al.
 10,022,855 B2 * 7/2018 Hintze A45F 5/021
 D847,620 S * 5/2019 Umholtz D8/372
 D866,303 S * 11/2019 Berger D8/367
 D966,871 S * 10/2022 Wang D8/367
 D976,086 S 1/2023 Jiang
 D981,215 S * 3/2023 Spark D8/367
 D984,248 S * 4/2023 Deng D8/367
 D984,249 S * 4/2023 Deng D8/367
 D993,010 S * 7/2023 Hoffman D8/373
 D993,757 S * 8/2023 Hoffman D8/373
 2003/0189147 A1 * 10/2003 Immerman A47G 25/0614
 248/302
 2003/0189148 A1 * 10/2003 Immerman A47G 25/0614
 248/304
 2009/0229713 A1 * 9/2009 Ernst C21D 1/34
 148/516

2009/0230267 A1 * 9/2009 Ernst A47L 13/16
 248/231.9
 2016/0369944 A1 * 12/2016 Kremer G09F 13/20
 2017/0363139 A1 * 12/2017 Wang C09J 175/16
 2022/0304491 A1 * 9/2022 Park A47G 1/164

FOREIGN PATENT DOCUMENTS

CN 307903311 * 3/2023
 CN 308119629 * 7/2023
 CN 308119631 * 7/2023
 WO WOD102394-035 * 8/2018
 WO WOD205577-010 * 2/2020

OTHER PUBLICATIONS

Buelkmag Magnetic Hooks; See Attached Appendix “Notice of References Cited—Continuation Sheet of Non-Patent Documents—Section V—p. 1” for NPL Information.*
 Tsomei Magnetic Hooks; See Attached Appendix “Notice of References Cited—Continuation Sheet of Non-Patent Documents—Section W—p. 1” for NPL Information.*
 Aldeepo Magnetic Hooks; See Attached Appendix “Notice of References Cited—Continuation Sheet of Non-Patent Documents—Section X—p. 1” for NPL Information.*
 Magtsmei Magnetic Hooks; See Attached Appendix “Notice of References Cited—Continuation Sheet of Non-Patent Documents—Section U—p. 2” for NPL Information.*

* cited by examiner

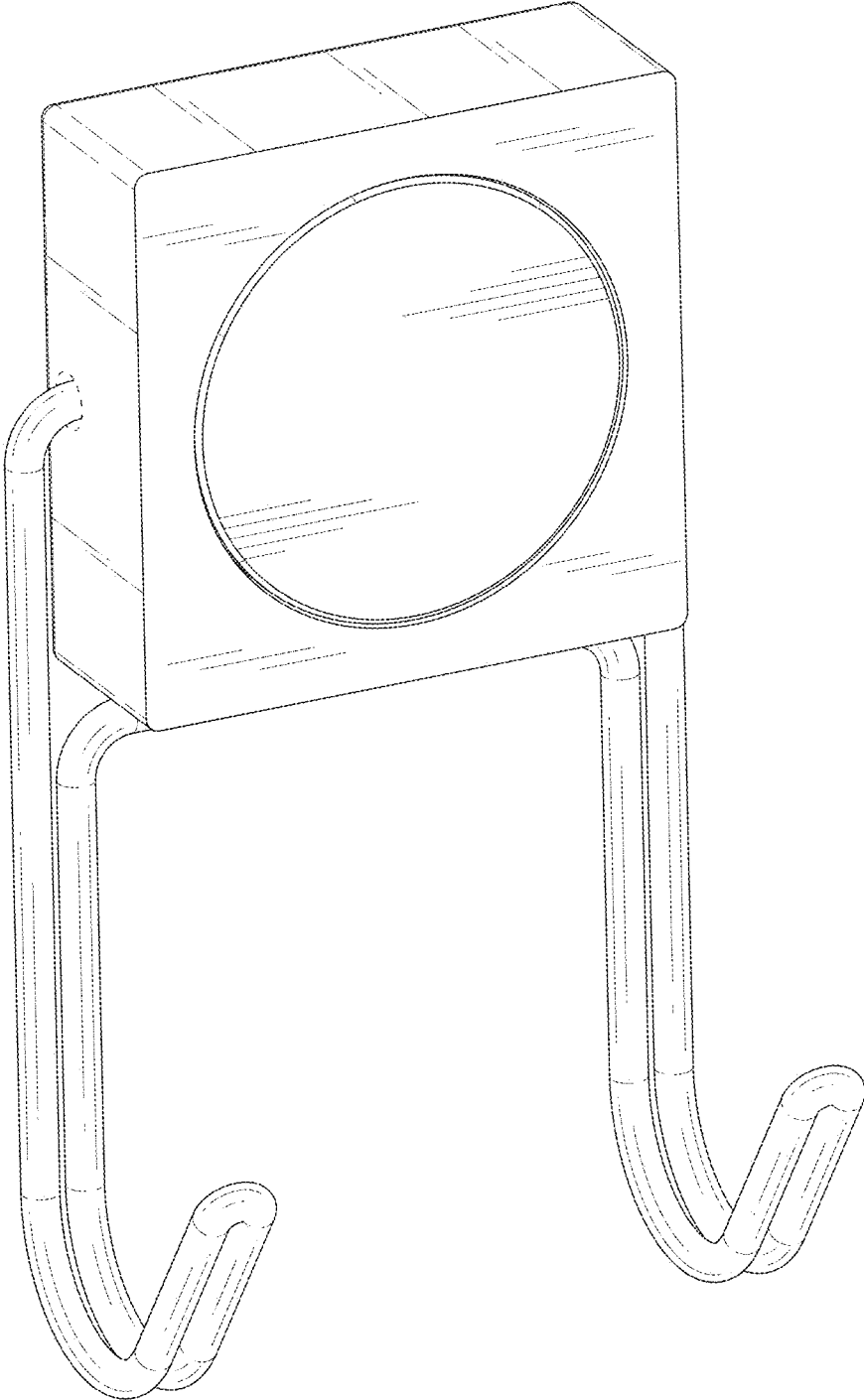


FIG. 1

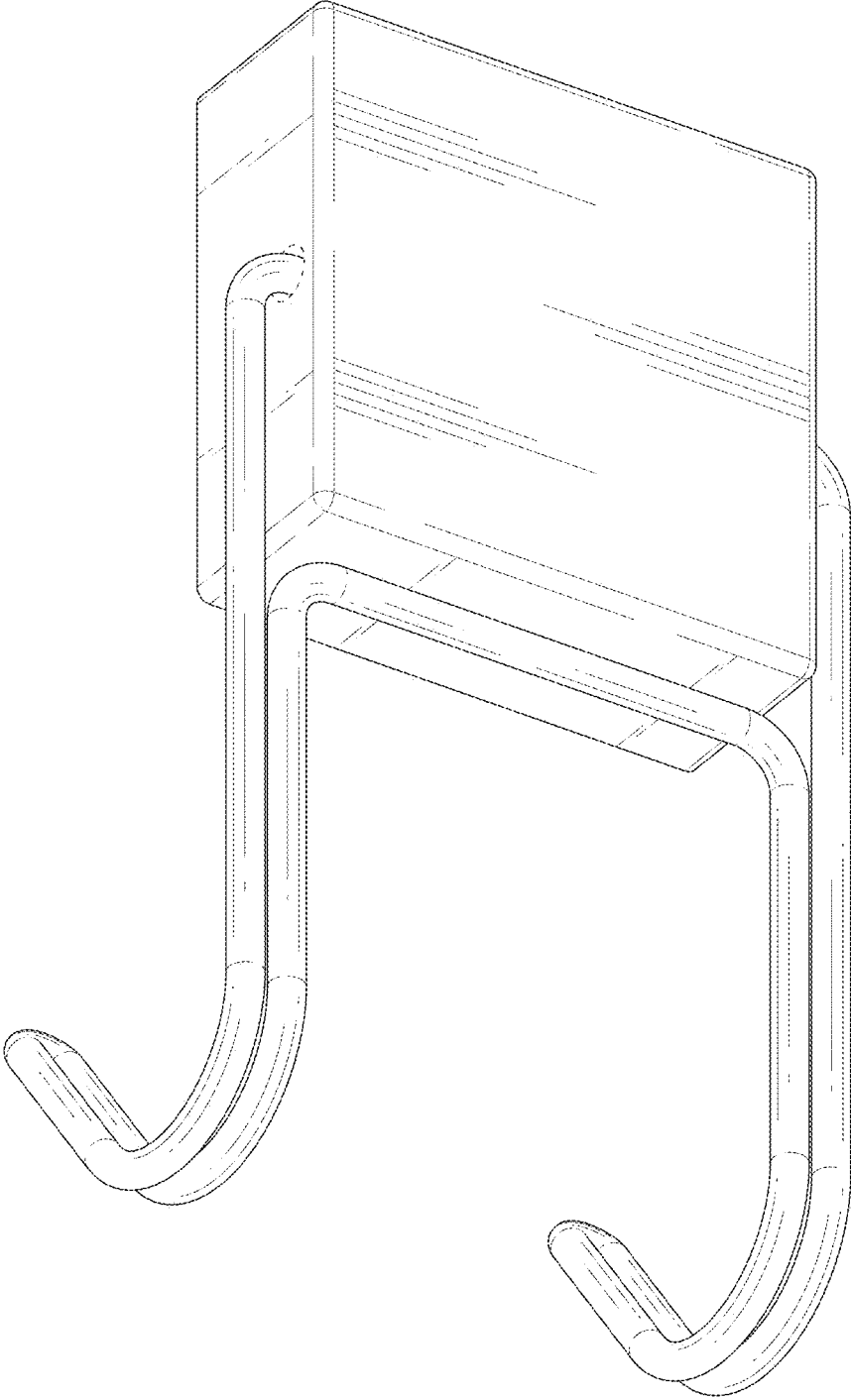


FIG. 2

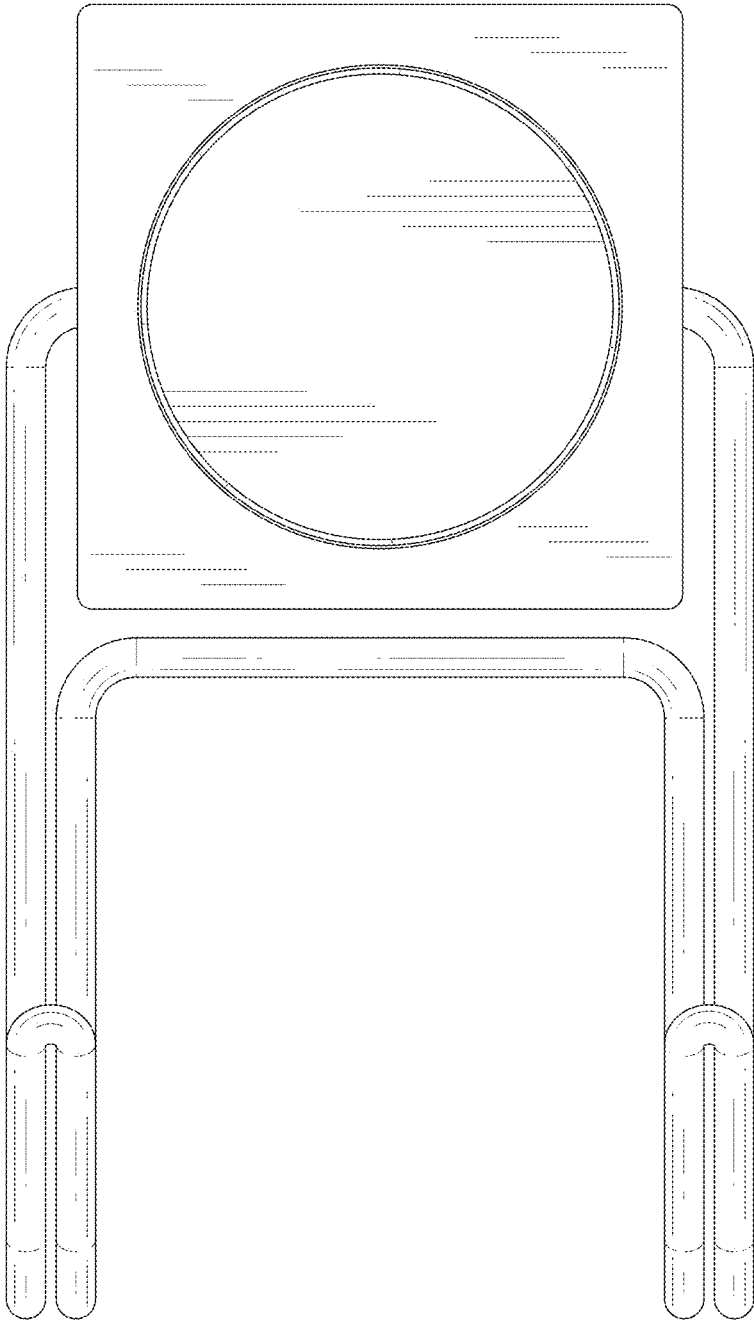


FIG. 3

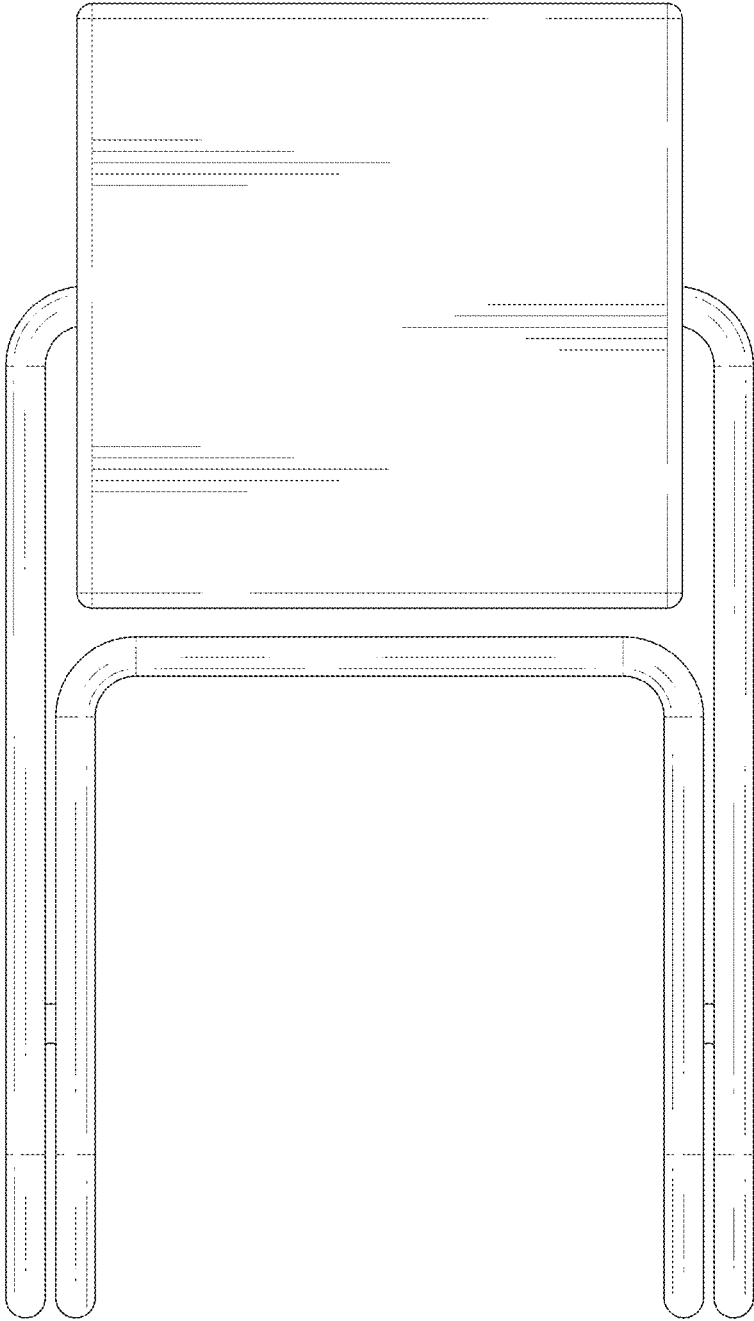


FIG. 4

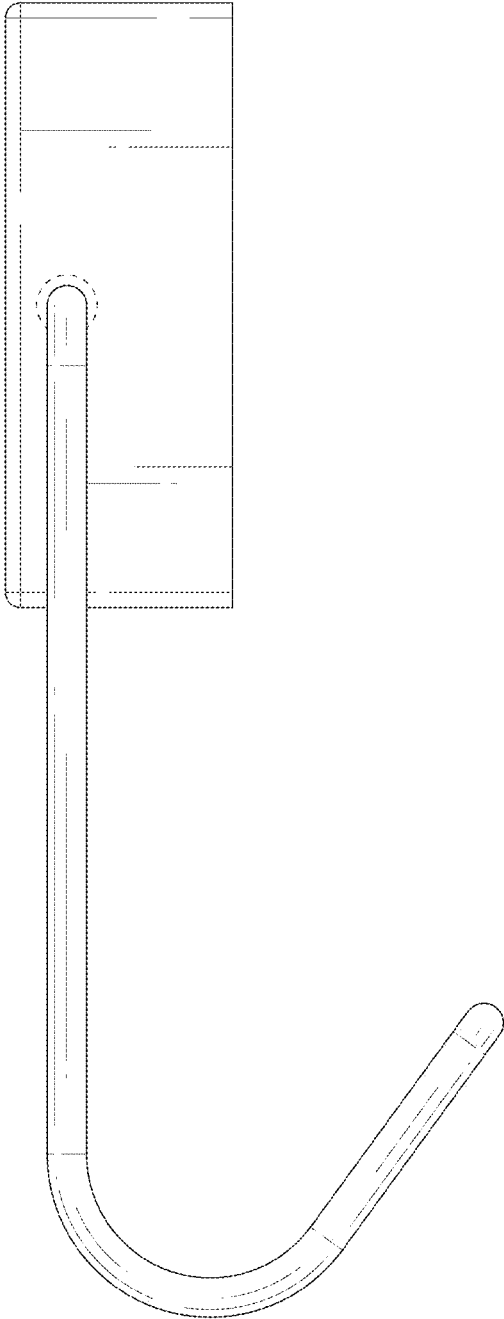


FIG. 5

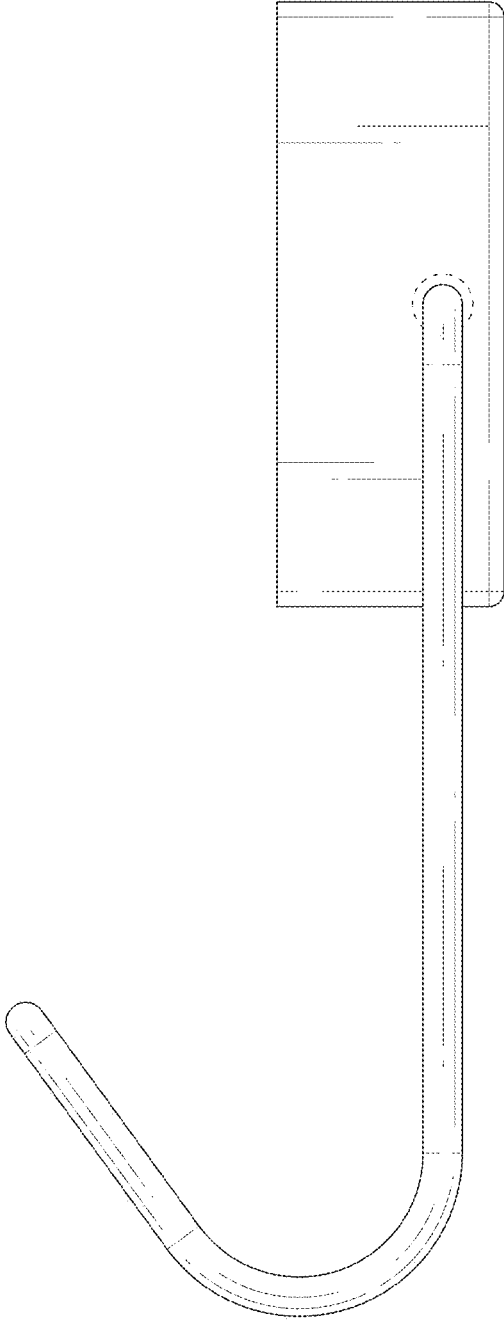


FIG. 6

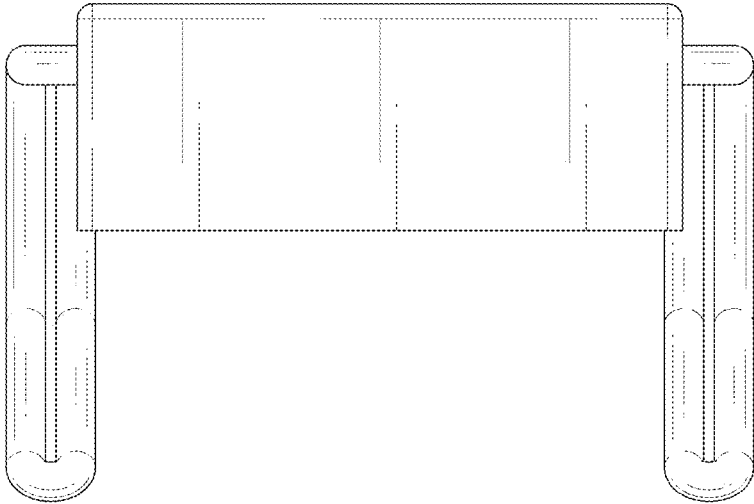


FIG. 7

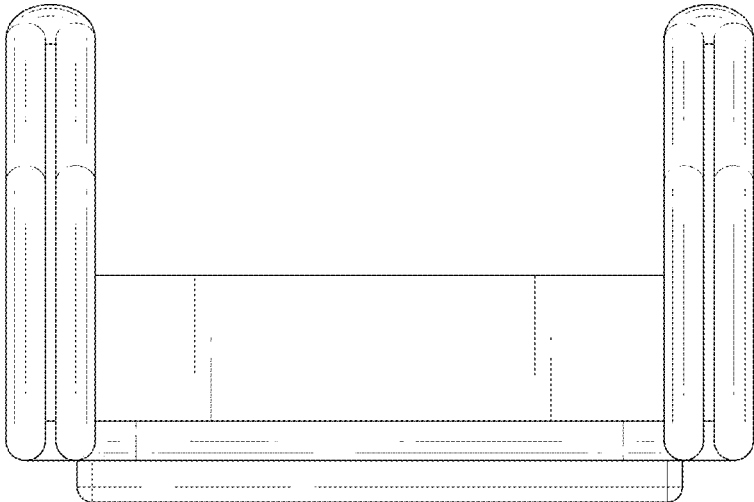


FIG. 8