



US00D781169S

(12) **United States Design Patent**
Wang

(10) **Patent No.:** **US D781,169 S**

(45) **Date of Patent:** **** *Mar. 14, 2017**

(54) **MECHANICAL HEAT DETECTOR**

(71) Applicant: **Honeywell International Inc.,**
Morristown, NJ (US)

(72) Inventor: **Liyi Wang,** Xi'an (CN)

(73) Assignee: **HONEYWELL INTERNATIONAL**
INC., Morristown, NJ (US)

(*) Notice: This patent is subject to a terminal disclaimer.

(**) Term: **15 Years**

(21) Appl. No.: **29/540,537**

(22) Filed: **Sep. 25, 2015**

(51) **LOC (10) Cl.** **10-05**

(52) **U.S. Cl.**
USPC **D10/106.5**

(58) **Field of Classification Search**
USPC D10/104.1, 106.1-106.8; D16/203;
340/571, 588, 628-630
CPC G08B 5/36; G08B 17/06; G08B 17/10;
G08B 5/38
See application file for complete search history.

(56) **References Cited**

U.S. PATENT DOCUMENTS

D339,756 S *	9/1993	Igarashi	D10/106.5
D356,050 S *	3/1995	Tice	D10/106.5
D382,825 S *	8/1997	Amleshi	D10/106.5
D388,351 S *	12/1997	Repp	D10/106.5
D391,185 S *	2/1998	Tomizawa	D10/106.5
D425,535 S *	5/2000	Mutoh	D10/106.1
D426,250 S *	6/2000	Lefkowitz	D10/106.1
D505,632 S *	5/2005	Johnson	D10/106.5
6,967,582 B2 *	11/2005	Tice	G08B 17/10 340/628
D577,301 S *	9/2008	Johnson	D10/106.1

D591,629 S *	5/2009	Tsurumi	D10/106.5
D651,926 S *	1/2012	Akiyama	D10/106.5
8,106,784 B2 *	1/2012	Katou	G08B 17/06 340/628
D675,948 S *	2/2013	Kawaguchi	D10/106.5
D700,095 S *	2/2014	Dohi	D10/106.5
8,816,867 B2 *	8/2014	Mammoto	G08B 17/10 204/407
D715,170 S *	10/2014	Brigham	D10/106.5
D715,171 S *	10/2014	Brigham	D10/106.5
2013/0008787 A1 *	1/2013	Mammoto	G08B 17/10 204/407

OTHER PUBLICATIONS

System Sensor's 5600 Series Mechanical Heat Detectors (Jul. 2013).

* cited by examiner

Primary Examiner — Sandra Morris

(74) *Attorney, Agent, or Firm* — Husch Blackwell LLP

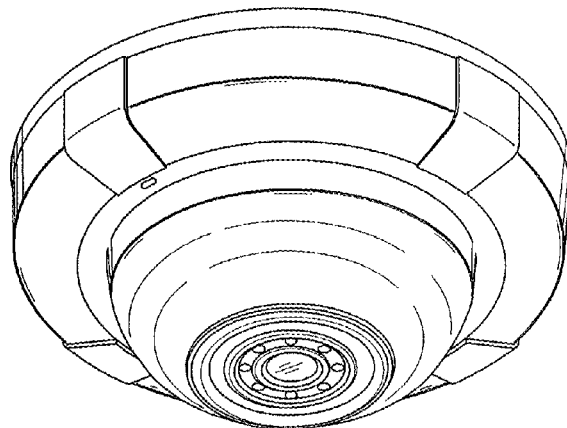
(57) **CLAIM**

The ornamental design for a mechanical heat detector, as shown and described.

DESCRIPTION

FIG. 1 is a perspective view of the mechanical heat detector. FIG. 2 is a front elevation view thereof. FIG. 3 is a first side elevation view thereof. FIG. 4 is a second side elevation view thereof. FIG. 5 is a top plan view thereof; and, FIG. 6 is a bottom plan view thereof. The rear view of the mechanical heat detector illustrated in FIGS. 1-6 is hereby disclaimed and forms no part of the claimed design.

1 Claim, 4 Drawing Sheets



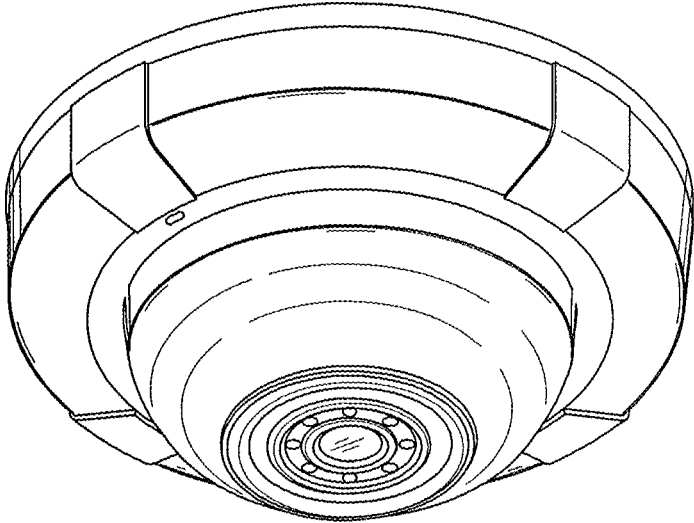


FIG. 1

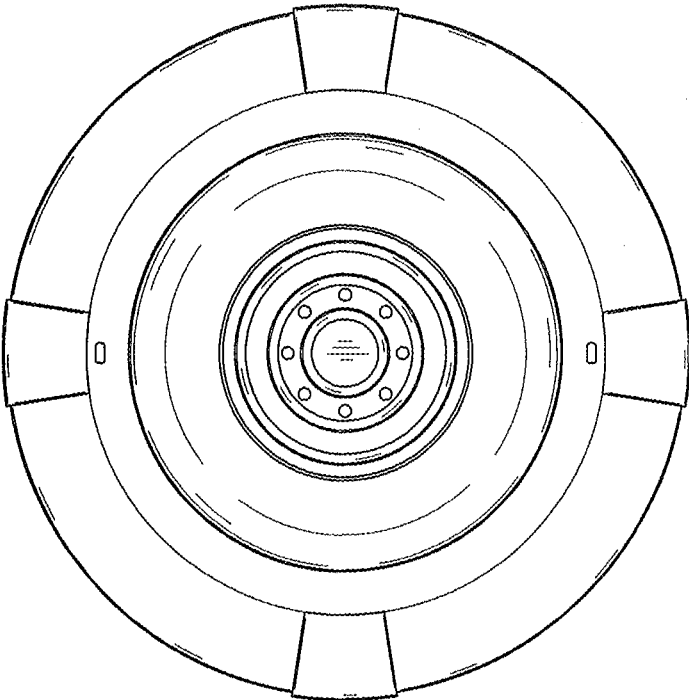


FIG. 2

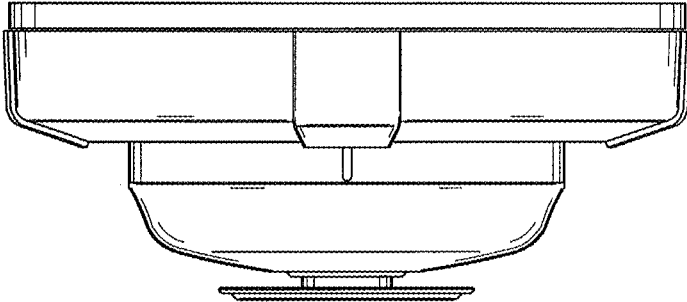


FIG. 3

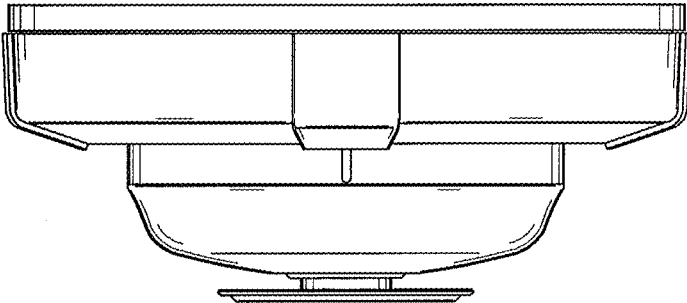


FIG. 4

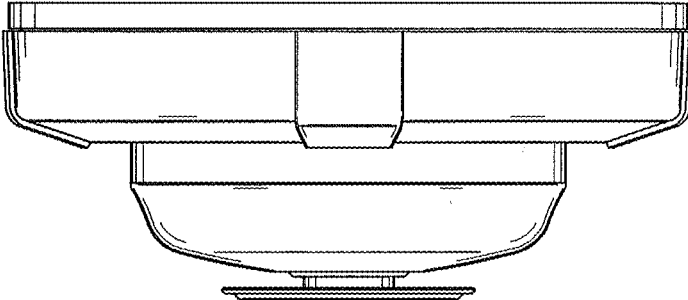


FIG. 5

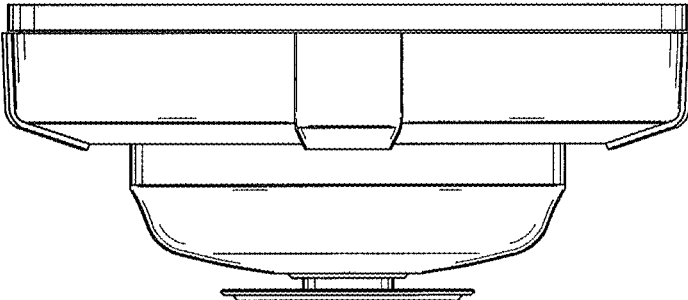


FIG. 6