



US00D815177S

(12) **United States Design Patent**
Jeong

(10) **Patent No.:** **US D815,177 S**
(45) **Date of Patent:** **** Apr. 10, 2018**

- (54) **NETWORK CAMERA**
- (71) Applicant: **LG INNOTEK CO., LTD.**, Seoul (KR)
- (72) Inventor: **Ki Hyun Jeong**, Seoul (KR)
- (73) Assignee: **LG INNOTEK CO., LTD.**, Seoul (KR)
- (**) Term: **15 Years**
- (21) Appl. No.: **29/582,574**
- (22) Filed: **Oct. 28, 2016**

- D746,349 S * 12/2015 Yung D16/203
 - D746,889 S * 1/2016 Moon D16/203
 - D748,178 S * 1/2016 Scalisi D10/118.2
 - D748,179 S * 1/2016 Scalisi D10/118.2
 - D748,709 S * 2/2016 Jeong D16/202
- (Continued)

- (30) **Foreign Application Priority Data**
- Apr. 29, 2016 (KR) 30-2016-0020447
- (51) **LOC (11) Cl.** **16-01**
- (52) **U.S. Cl.**
- USPC **D16/203**
- (58) **Field of Classification Search**
- USPC D14/130, 144, 132; D16/200–220, 242, D16/238; D26/24, 36, 72, 79, 123; D10/104.1, 104.2, 106.1, 106.2, 106.5; D9/548, 560, 572, 574, 430, 431; D29/109–110
- CPC H04N 7/181; H04N 7/183; H04N 7/18; H04N 3/08; H04N 5/23248; H04N 5/23287; H04N 5/23258; H04N 5/2251; H04N 5/2252; H04N 2007/145; G01C 11/025; G03B 15/00; G03B 15/03; G03B 17/56; G03B 17/02; G03B 17/30; G03B 17/04; G03B 17/00; G03B 19/04; G03B 3/00; B60R 1/00; B60R 2300/105; G08B 13/19619; G08B 13/1963; G08B 13/19632; F16M 11/04; F16M 13/00; Y02E 60/12
- See application file for complete search history.

FOREIGN PATENT DOCUMENTS

EM 003109818-0001 * 5/2016

OTHER PUBLICATIONS

Oco Camera, announced Jun. 15, 2015 [online], [site visited Mar. 15, 2017], Available from Internet, URL: <<https://www.amazon.com/Oco-Wireless-Surveillance-Monitoring-Security/dp/B0108N1Y0I?th=1>>.*

(Continued)

Primary Examiner — Barbara Fox
Assistant Examiner — Mary C Ramirez
(74) *Attorney, Agent, or Firm* — Saliwanchik, Lloyd & Eisenschenk

(57) **CLAIM**

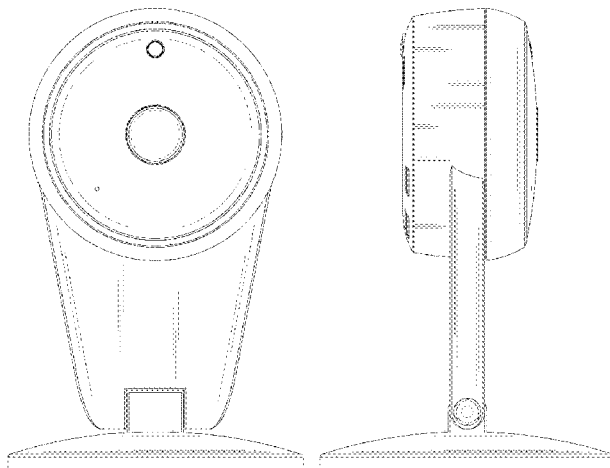
The ornamental design for a network camera, as shown and described.

DESCRIPTION

FIG. 1 is a front perspective view of a network camera showing the new design;
FIG. 2 is a front elevation view thereof;
FIG. 3 is a rear elevation view thereof;
FIG. 4 is a left side elevation view thereof;
FIG. 5 is a right side elevation view thereof;
FIG. 6 is a top plan view thereof; and,
FIG. 7 is a bottom plan view thereof.
The broken lines shown in the drawings depict portions of the network camera that form no part of the claimed design.

1 Claim, 7 Drawing Sheets

- (56) **References Cited**
- U.S. PATENT DOCUMENTS
- D410,480 S * 6/1999 Takagi D16/202
- D727,769 S * 4/2015 Scalisi D10/118.2



(56)

References Cited

U.S. PATENT DOCUMENTS

D754,233 S * 4/2016 Du D16/211
D760,829 S * 7/2016 Pacurariu D16/202
9,388,934 B1 * 7/2016 Kilgore H04N 5/2251
9,454,820 B1 * 9/2016 Kirmani H04N 7/18
D776,180 S * 1/2017 Fiedler D16/202
2016/0041456 A1 * 2/2016 Kamiya G03B 17/04
396/56
2016/0044287 A1 * 2/2016 Scalisi G08B 13/19684
348/159
2016/0363837 A1 * 12/2016 Kilgore F16M 11/2064

OTHER PUBLICATIONS

Nest Camera, announced Nov. 16, 2015 [online], [site visited Mar. 15, 2017], Available from Internet, URL: <<https://www.amazon.com/Nest-Indoor-Security-Camera-Pack/dp/B0177FO9X4>>.*

Dropcam Pro, announced Jul. 22, 2014 [online], [site visited Mar. 30, 2017], Available from Internet, URL: <<https://www.youtube.com/watch?v=-zgrd9C4LHM>> at approximately 0:47.*

Wireless IP WiFi Indoor IR Camera, announced Aug. 22, 2015 [online], [site visited Mar. 30, 2017], Available from Internet, URL: <<https://www.youtube.com/watch?v=xwvpSgVQ5P8>>at approximately 0:09.*

* cited by examiner

FIG. 1

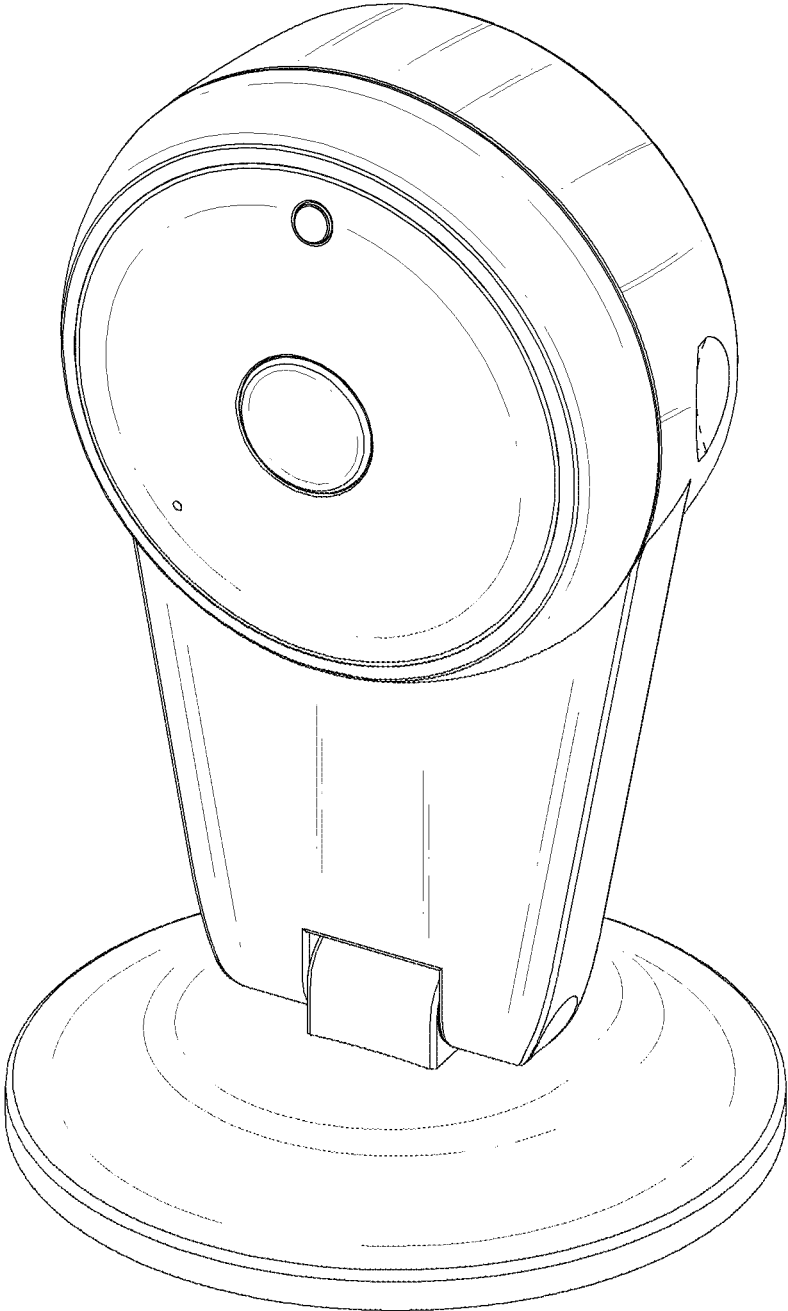


FIG. 2

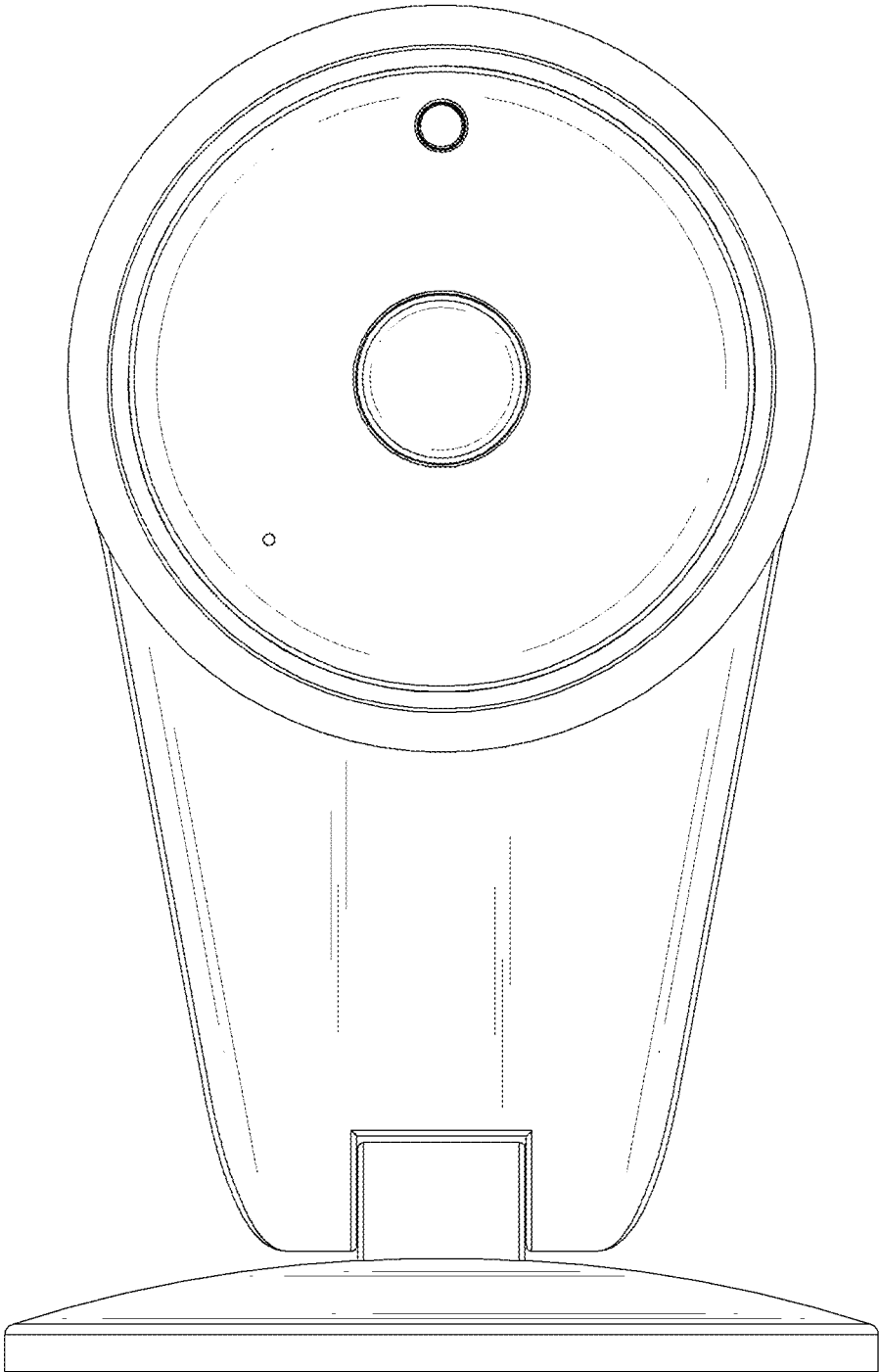


FIG. 3

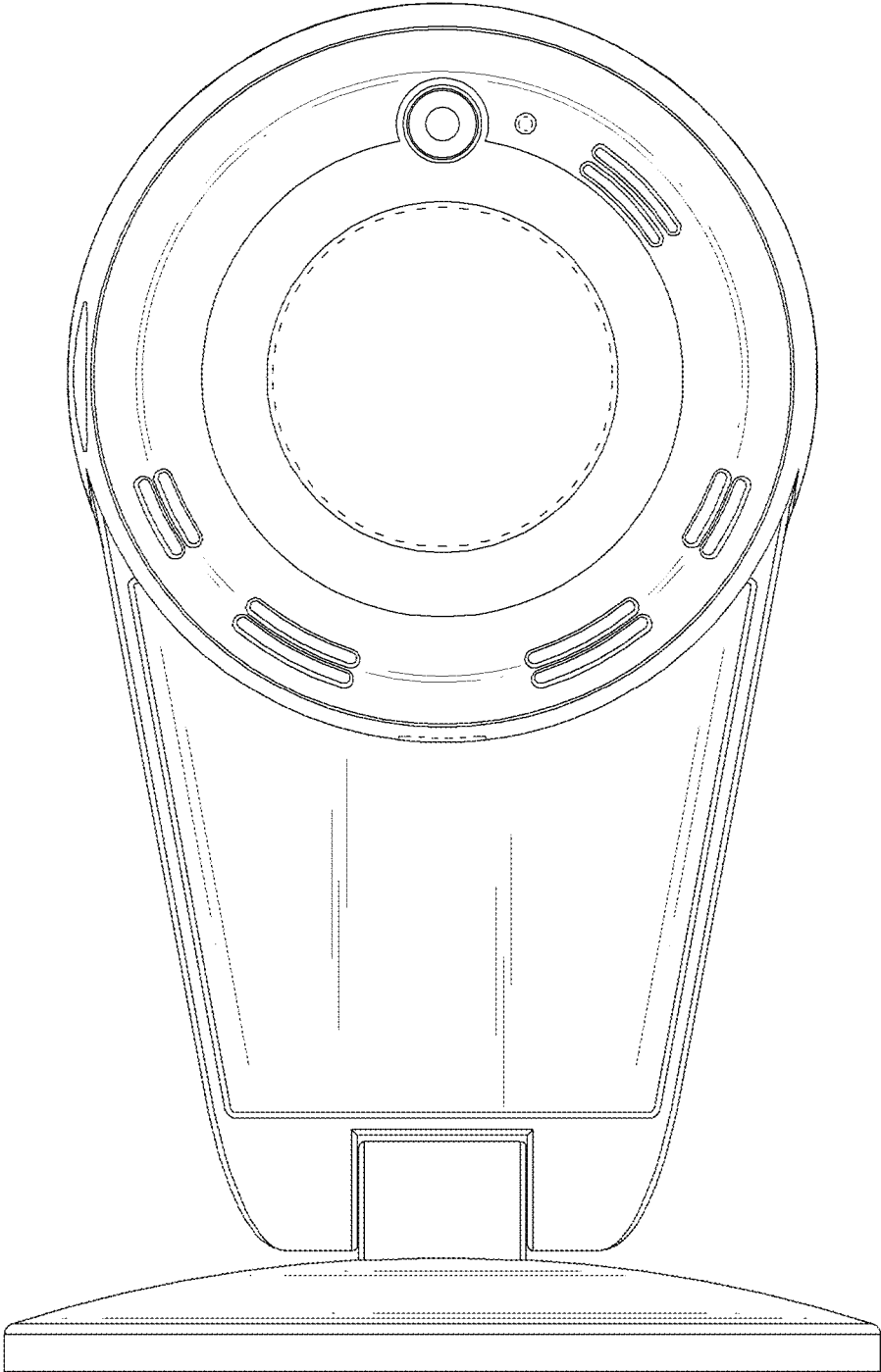


FIG. 4

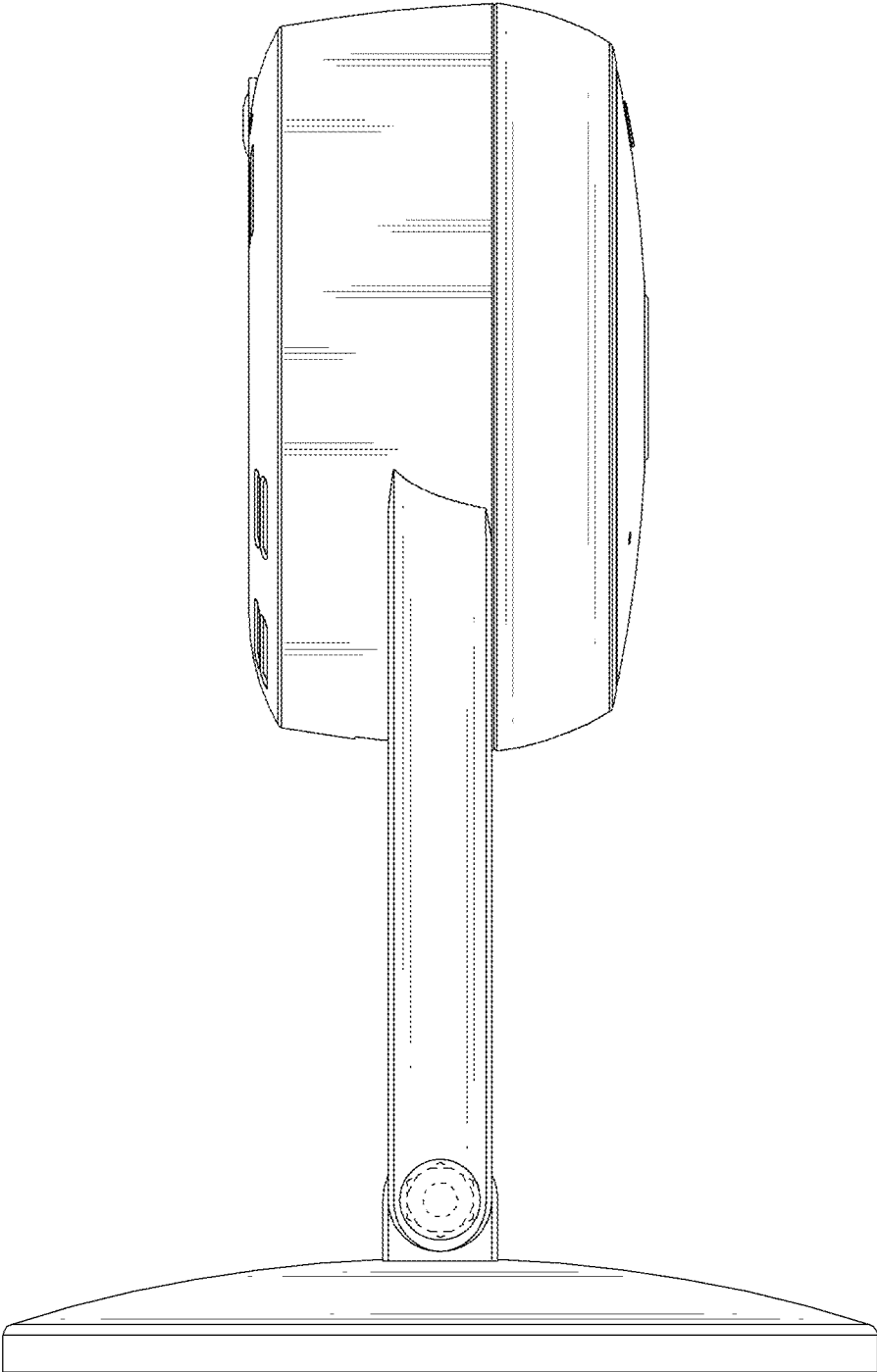


FIG. 5

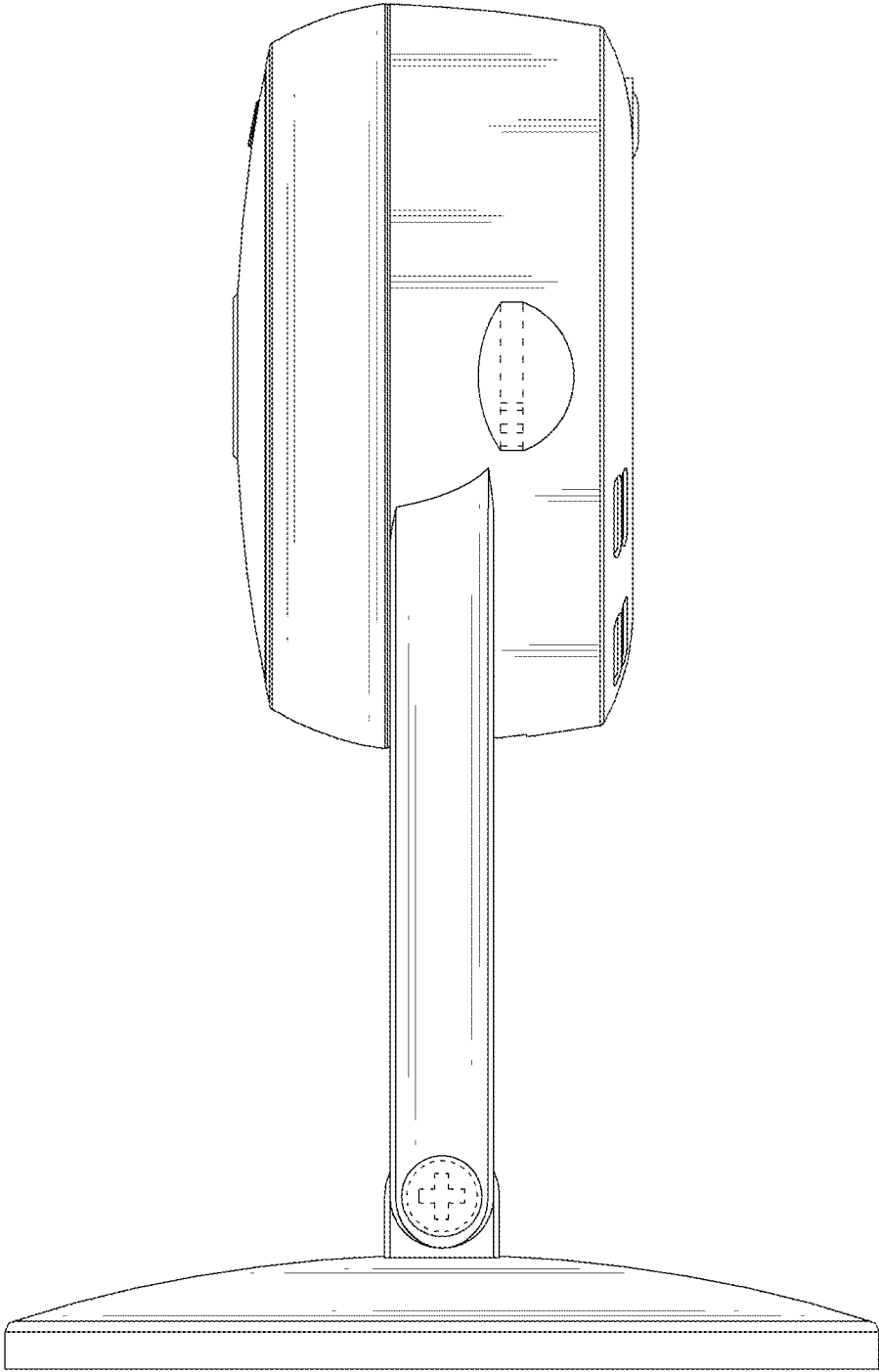


FIG. 6

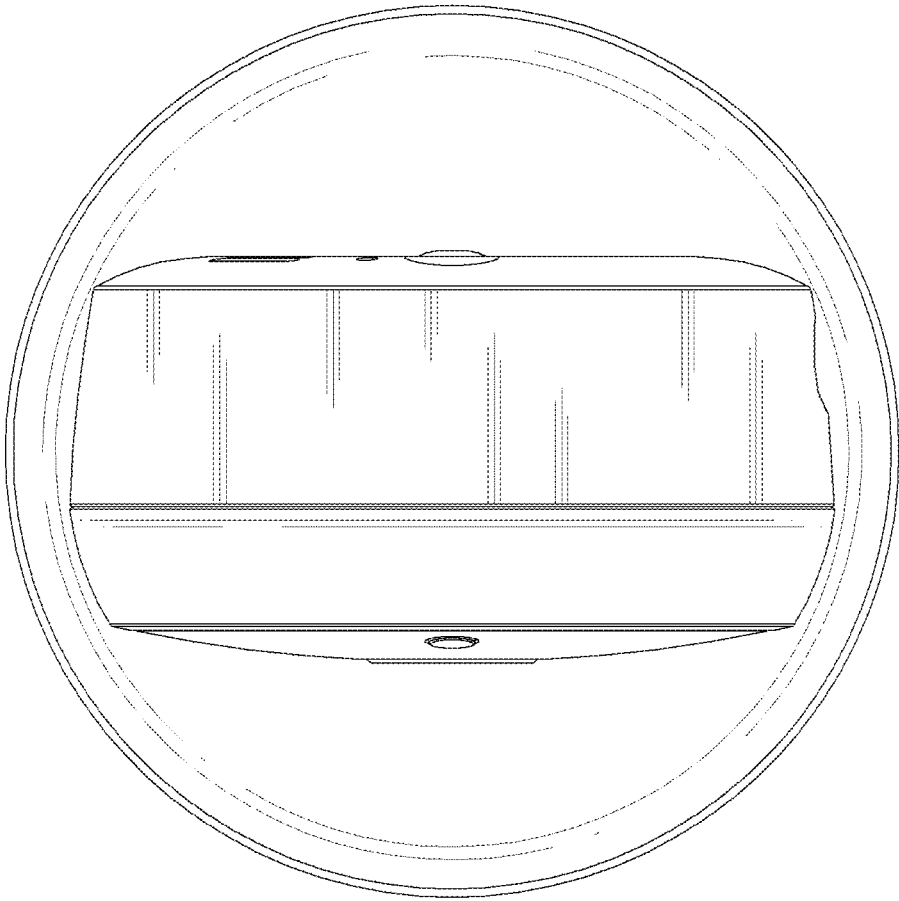


FIG. 7

