



US00D334998S

United States Patent [19]

[11] Patent Number: **Des. 334,998**

Warner et al.

[45] Date of Patent: **** Apr. 20, 1993**

[54] **COMBINED ELECTRIC NAIL POLISH REMOVER AND HOLDER FOR MANICURE ITEMS**

| | | | |
|-----------|--------|----------------|-------------|
| 2,942,141 | 7/1958 | Rodrigues, Jr. | 132/73.5 |
| 3,712,312 | 1/1973 | Sussman | 132/73.6 |
| 4,255,826 | 3/1981 | Boyd | 15/104.92 X |
| 4,321,935 | 3/1982 | Sussman | 132/73 |

[75] Inventors: **Ronald C. Warner, Waleska; Craig M. Warner, Alpharetta, both of Ga.**

Primary Examiner—Bernard Ansher
Assistant Examiner—C. Tuttle
Attorney, Agent, or Firm—Kenneth E. Darnell

[73] Assignee: **Ron Warner Associates, Norcross, Ga.**

[57] CLAIM

[**] Term: **14 Years**

The ornamental design for a combined electric nail polish remover and holder for manicure items, as shown and described.

[21] Appl. No.: **637,746**

DESCRIPTION

[22] Filed: **Jan. 7, 1991**

[52] U.S. Cl. **D28/58; D28/61**

[58] Field of Search **D28/9, 56-59, D28/61, 73, 99; 132/73, 73.5, 73.6, 74.5, 75; 401/6; 15/104.92, 104.93, 105; D19/75, 77, 95; D6/519**

FIG. 1 is a top perspective view of a combined electric nail polish remover and holder for manicure items showing my new design;

FIG. 2 is a side elevational view seen from the left of FIG. 1;

FIG. 3 is a top plan view thereof;

FIG. 4 is an elevational view thereof, rotated 90 degrees from the right of FIG. 2;

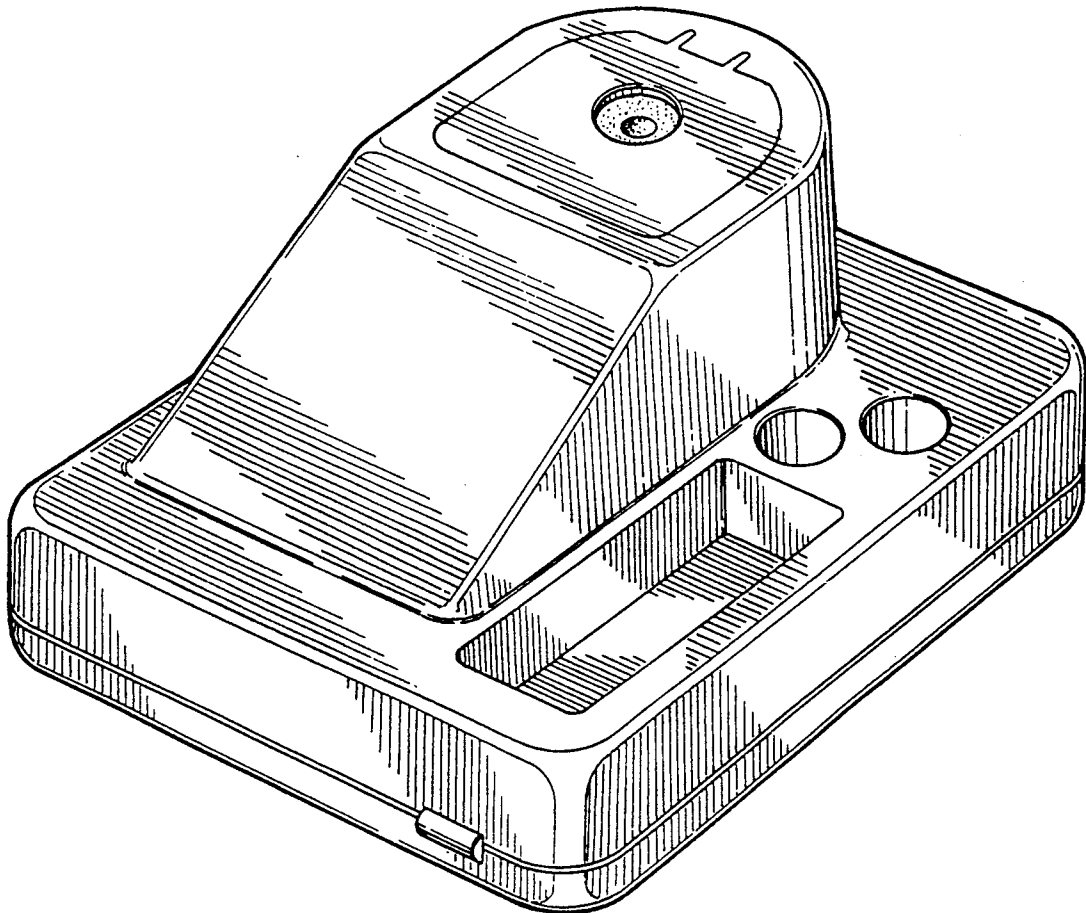
FIG. 5 is an elevational view of the opposite side of FIG. 4; and,

FIG. 6 is a bottom plan view thereof.

[56] References Cited

U.S. PATENT DOCUMENTS

| | | | |
|------------|--------|------------|--------|
| D. 109,208 | 4/1938 | Conradsen | D28/61 |
| D. 277,322 | 1/1985 | West | D28/58 |
| D. 288,883 | 3/1987 | Loughridge | D6/519 |



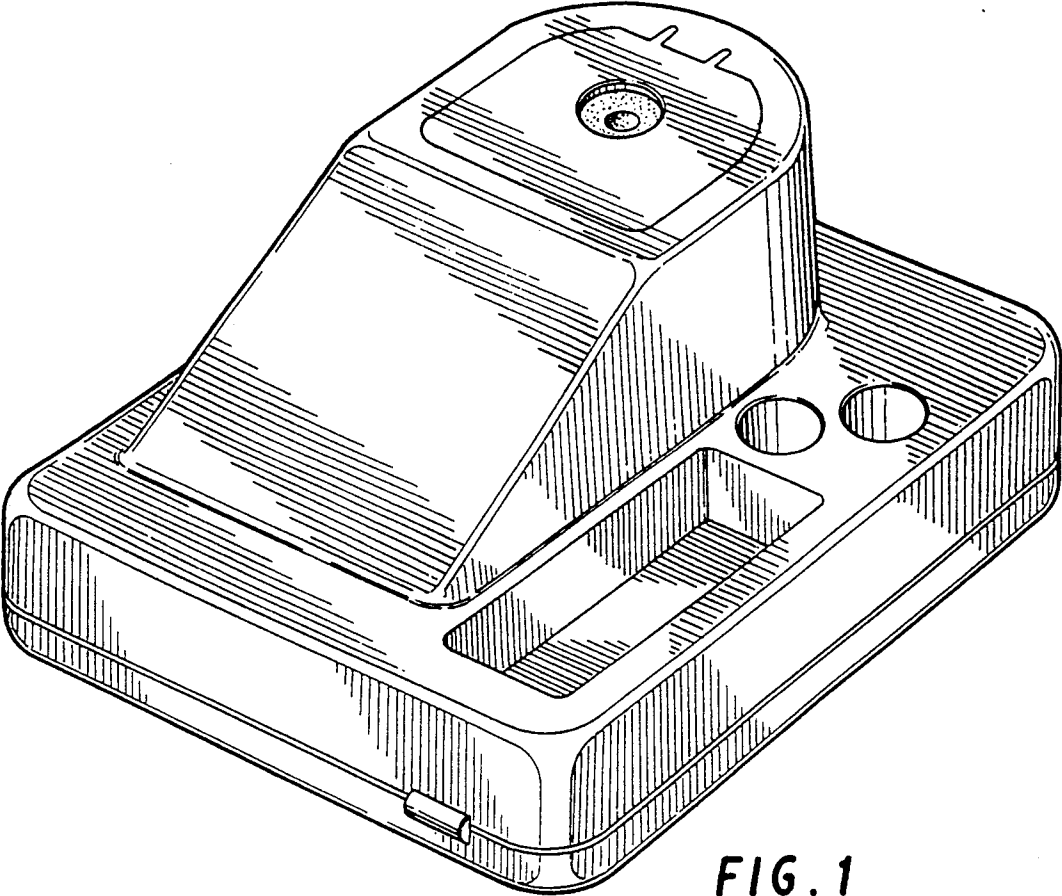


FIG. 1

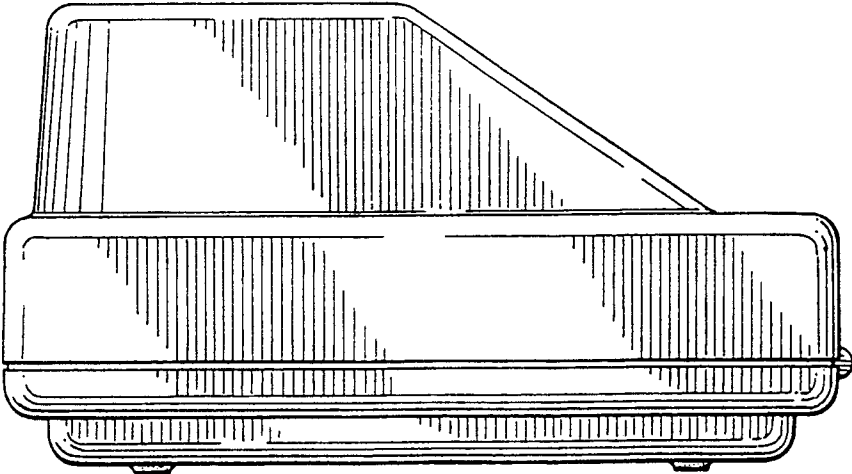


FIG. 2

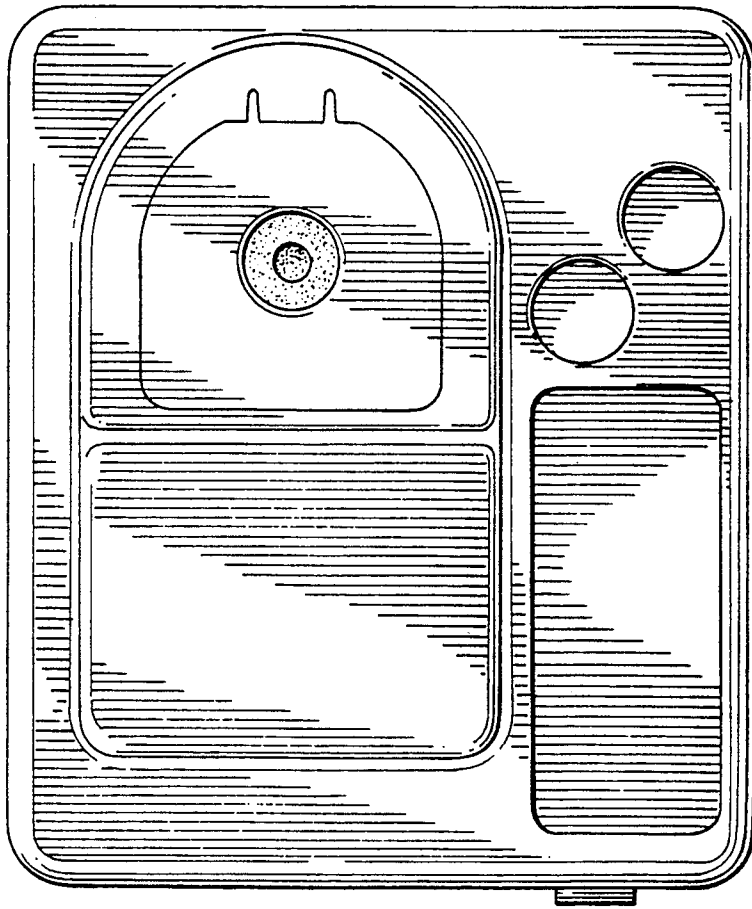


FIG. 3

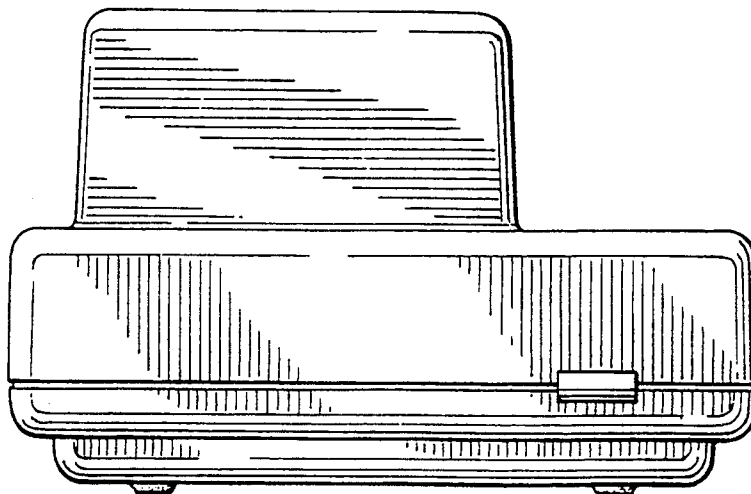


FIG. 4

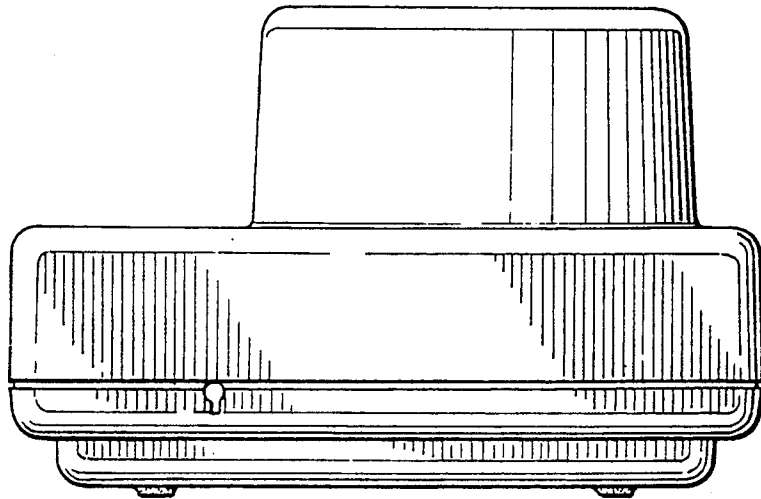


FIG. 5

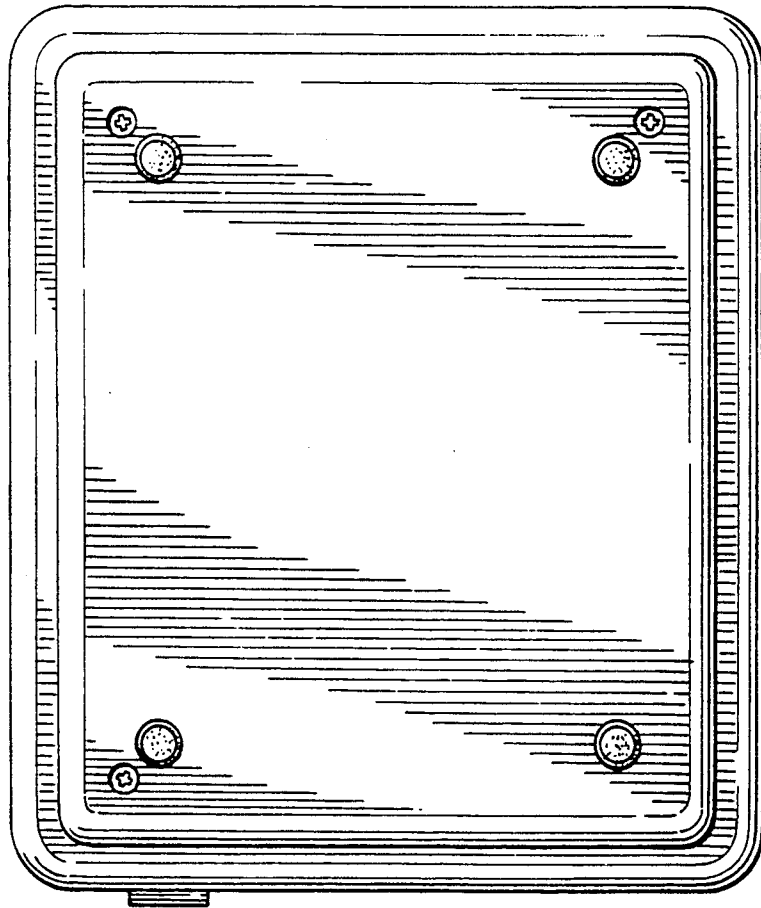


FIG. 6