



US0D1025308S

(12) **United States Design Patent**
Danneffel et al.

(10) **Patent No.:** **US D1,025,308 S**

(45) **Date of Patent:** **** Apr. 30, 2024**

- (54) **PIPE THREAD PROTECTOR**
- (71) Applicant: **Universal Moulding Co. Ltd.**, Port Coquitlam (CA)
- (72) Inventors: **Max Danneffel**, Port Coquitlam (CA); **John Danneffel**, Port Coquitlam (CA)

4,553,567 A 11/1985 Telander
 4,796,668 A 1/1989 Depret
 5,195,562 A 3/1993 Dreyfuss et al.
 D402,354 S * 12/1998 Strong D23/259
 6,085,478 A 7/2000 Workman
 (Continued)

- (73) Assignee: **Universal Moulding Co. Ltd.**, Port Coquitlam (CA)

FOREIGN PATENT DOCUMENTS

CN 304046974 * 2/2017
 CN 211224665 U 8/2020
 (Continued)

(**) Term: **15 Years**

(21) Appl. No.: **29/714,642**

(22) Filed: **Nov. 25, 2019**

(51) **LOC (14) Cl.** **23-01**

(52) **U.S. Cl.**
USPC **D23/260**

(58) **Field of Classification Search**
USPC D23/259, 260, 266
CPC F16L 57/06; F16L 57/005; B65D 59/00;
B65D 59/02; B65D 59/06
See application file for complete search history.

(56) **References Cited**

U.S. PATENT DOCUMENTS

- 2,055,646 A 9/1936 Bosley
- 2,727,651 A 12/1955 Mickelson
- 2,737,205 A 3/1956 Stringfield
- D194,437 S * 1/1963 Salter D8/349
- 3,074,579 A 1/1963 Miller
- 4,020,874 A 5/1977 Palarino
- 4,036,261 A 7/1977 Hauk
- 4,139,023 A 2/1979 Turley
- 4,269,232 A 5/1981 Witschi
- 4,366,971 A 1/1983 Lula
- 4,380,304 A 4/1983 Anderson
- 4,487,228 A 12/1984 Waldo et al.
- 4,549,337 A 10/1985 Newell et al.
- D281,350 S * 11/1985 Heier D23/260

OTHER PUBLICATIONS

M&P Flange & Pipe Protection, Inc., "Drill Pipe Thread Protectors", Internet Archive—Wayback Machine, <https://web.archive.org/web/20200928213511/https://m-p.com/product/drill-pipe-thread-protectors/>, Sep. 28, 2020.

Primary Examiner — Sheryl Lane
Assistant Examiner — Ieisha N Price
 (74) *Attorney, Agent, or Firm* — Oyen Wiggs Green & Mutala LLP; Nicholas Garner

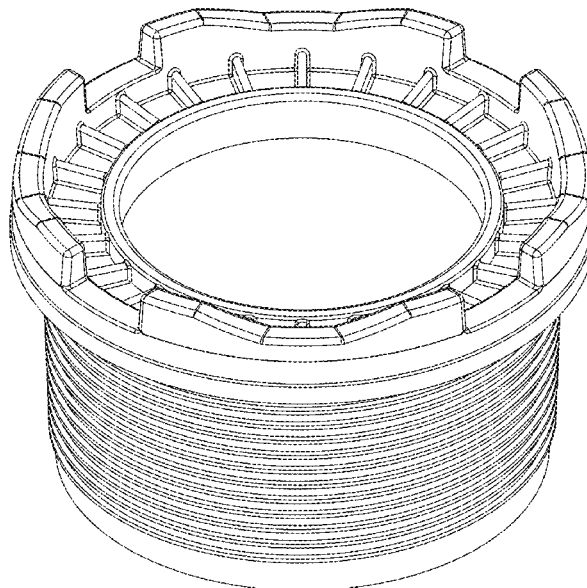
(57) **CLAIM**

The ornamental design for a pipe thread protector, as shown and described.

DESCRIPTION

FIG. 1 is a top perspective view of a pipe thread protector; FIG. 2 is a bottom perspective view thereof; FIG. 3 is a right side elevational view thereof; FIG. 4 is a left side elevational view thereof; FIG. 5 is a front side elevational view thereof; FIG. 6 is a rear elevational view thereof; FIG. 7 is a top plan view thereof; and, FIG. 8 is a bottom plan view thereof. The broken lines in the drawings illustrate portions of the pipe thread protector and form no part of the claimed design.

1 Claim, 8 Drawing Sheets



(56)

References Cited

U.S. PATENT DOCUMENTS

6,196,270 B1 3/2001 Richards et al.
 6,367,508 B1 4/2002 Richards et al.
 7,284,770 B2 10/2007 Dell'erba
 7,404,419 B2 7/2008 Pajaro Gonzalez et al.
 7,469,721 B2 12/2008 Takano
 D613,827 S * 4/2010 Damaske D23/259
 D678,923 S * 3/2013 Stolz D15/138
 9,206,930 B2 12/2015 Courtois et al.
 D762,825 S * 8/2016 Walker D23/259
 9,523,458 B2 12/2016 Yamamoto et al.
 D784,497 S * 4/2017 Vaz D23/262
 D788,886 S * 6/2017 Salzer D23/259
 9,828,150 B2 11/2017 Danneffel et al.
 10,274,123 B2 4/2019 Danneffel et al.
 D899,239 S * 10/2020 Schatzl D8/387
 10,954,045 B2 * 3/2021 Knight B65D 59/06
 D921,852 S * 6/2021 Ball D23/259
 D932,596 S * 10/2021 Melaccio D23/260
 D933,788 S * 10/2021 Banks D23/259
 D956,522 S * 7/2022 Smith D8/354
 2004/0200525 A1 10/2004 Goodson et al.
 2004/0201131 A1 * 10/2004 Goodson F16L 57/005
 264/296
 2005/0045240 A1 3/2005 Casteran
 2006/0042709 A1 3/2006 Takano
 2006/0266428 A1 11/2006 Pajaro Gonzalez et al.
 2007/0113910 A1 5/2007 Pagura et al.
 2008/0092977 A1 4/2008 Zeyfang

2008/0190509 A1 8/2008 Cox
 2011/0148103 A1 * 6/2011 Courtois E21B 17/006
 285/333
 2011/0265904 A1 * 11/2011 Baker F16L 15/002
 138/96 T
 2012/0076613 A1 * 3/2012 Ishida F16B 11/006
 411/337
 2013/0105028 A1 5/2013 Lockard et al.
 2013/0213516 A1 8/2013 Clem et al.
 2013/0299037 A1 11/2013 Drouin et al.
 2014/0261849 A1 9/2014 Danneffel et al.
 2016/0039585 A1 * 2/2016 Danneffel F16L 57/005
 138/96 T
 2016/0312544 A1 * 10/2016 Whitefield H01B 7/045
 2018/0080595 A1 * 3/2018 Danneffel B65D 59/06
 2019/0375564 A1 * 12/2019 Knight F16L 57/005
 2021/0199232 A1 * 7/2021 Egger E21B 17/006
 2021/0296869 A1 * 9/2021 Smith H02G 3/0616
 2022/0243856 A1 * 8/2022 Danneffel E21B 17/006
 2023/0003332 A1 * 1/2023 Egger F16L 57/005

FOREIGN PATENT DOCUMENTS

CN 308036085 * 5/2023
 JP D1661385 * 6/2020
 KR 300767531.0000 * 10/2014
 KR 301076716.0000 * 10/2020
 KR 301155709.0000 * 3/2022
 RU 171254 U1 5/2017
 WO 2019231322 A1 12/2019

* cited by examiner

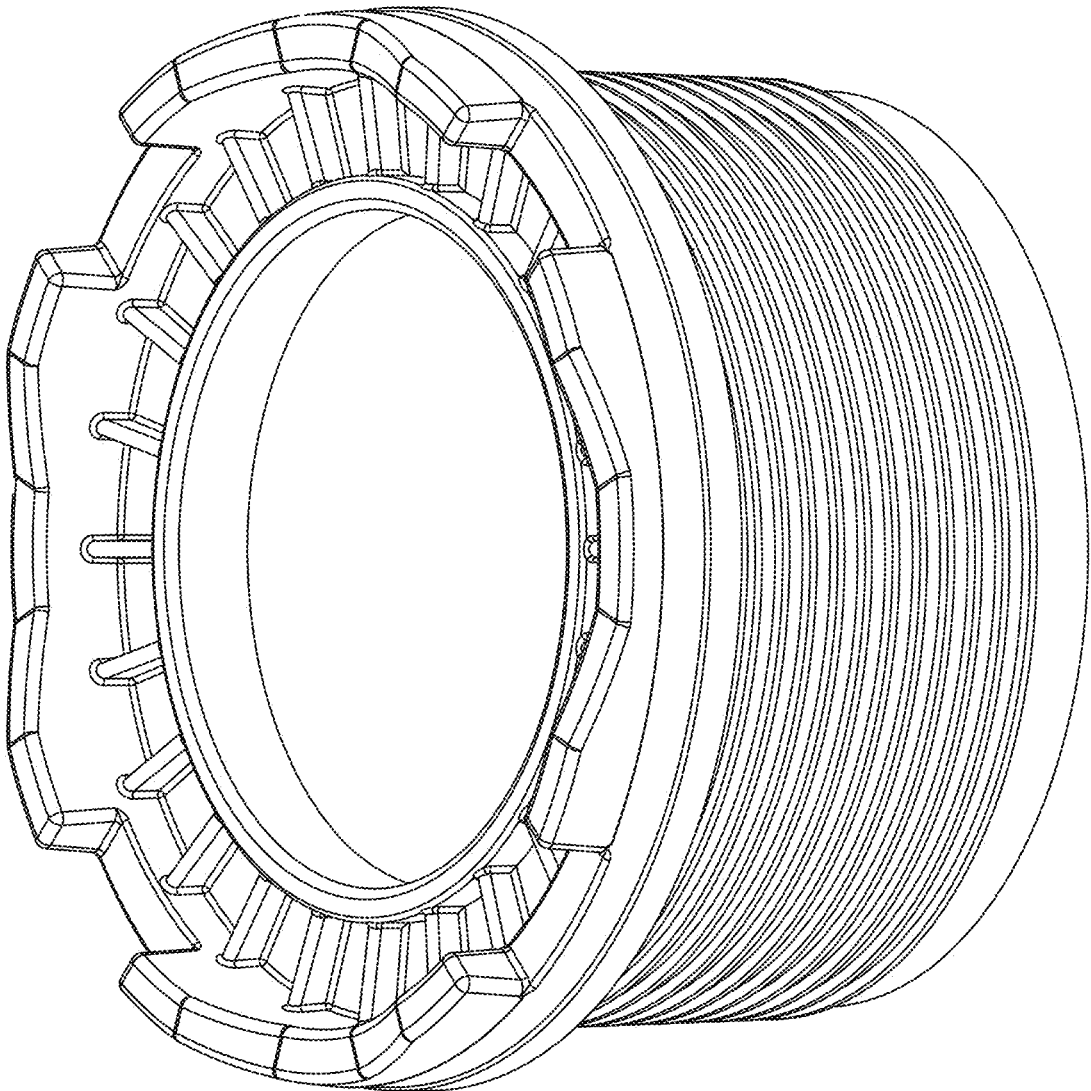


FIG. 1

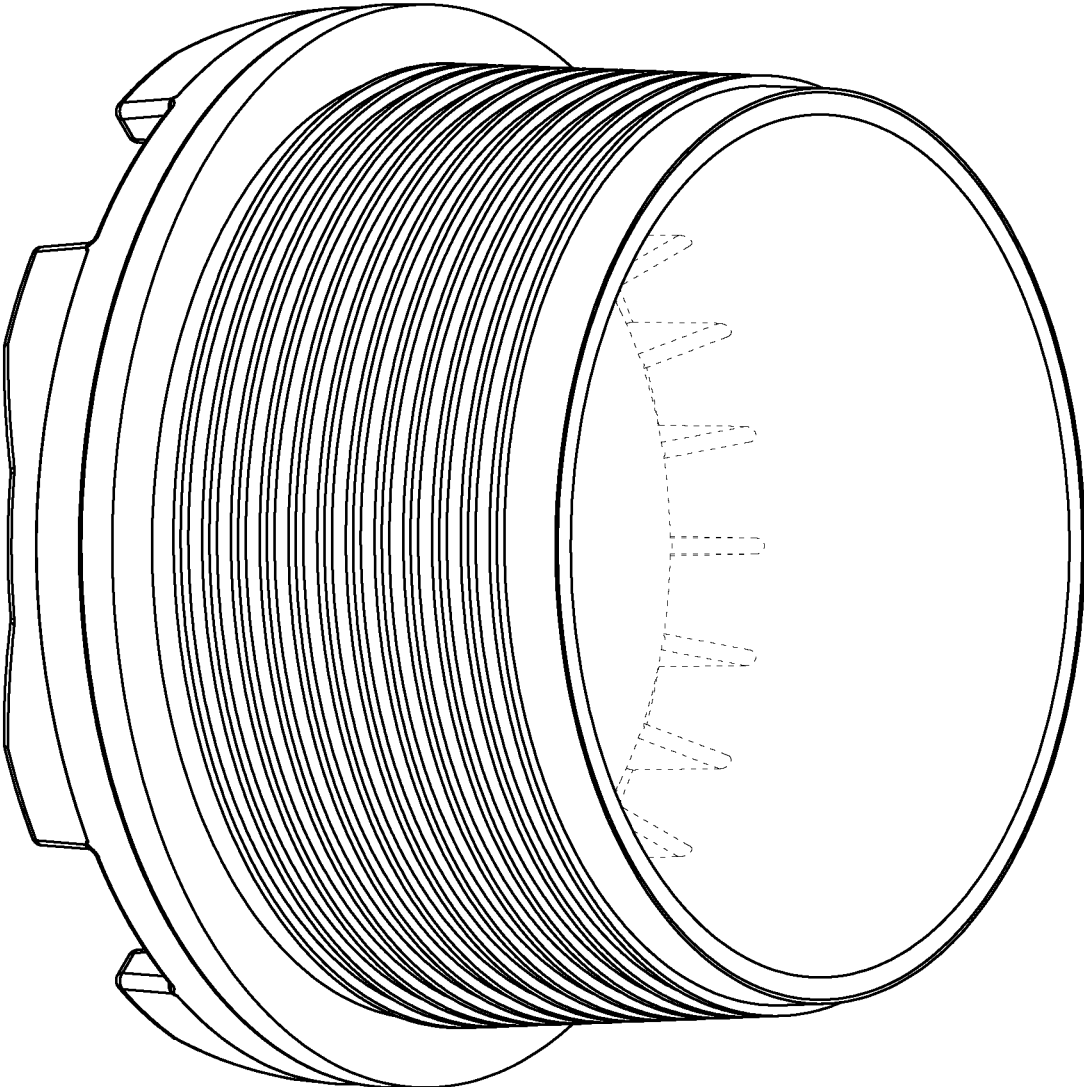


FIG. 2

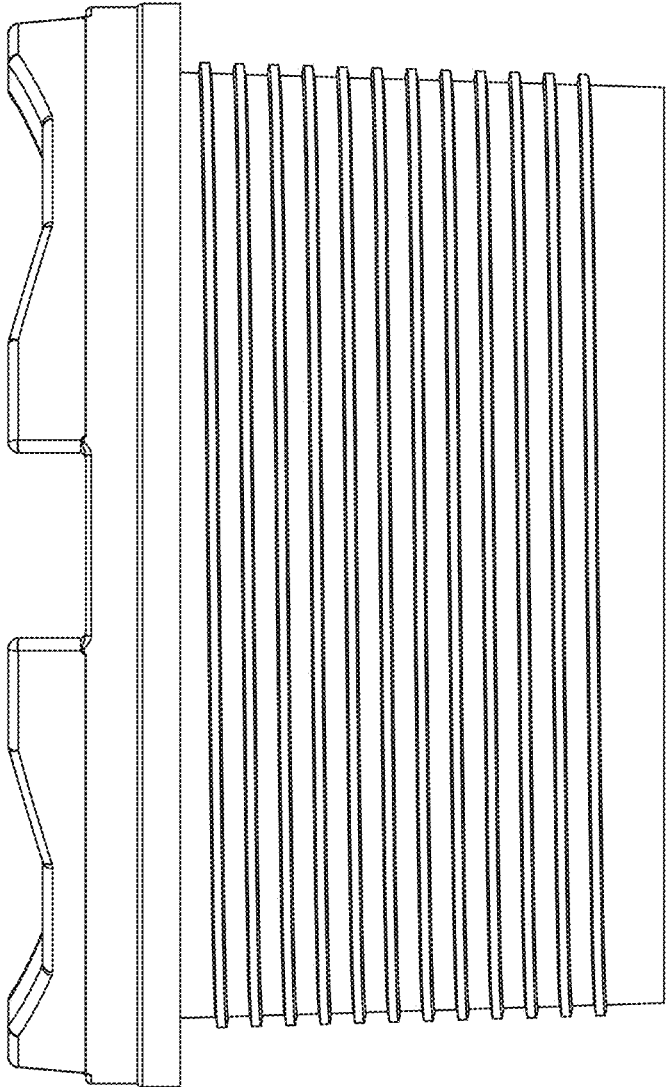


FIG. 3

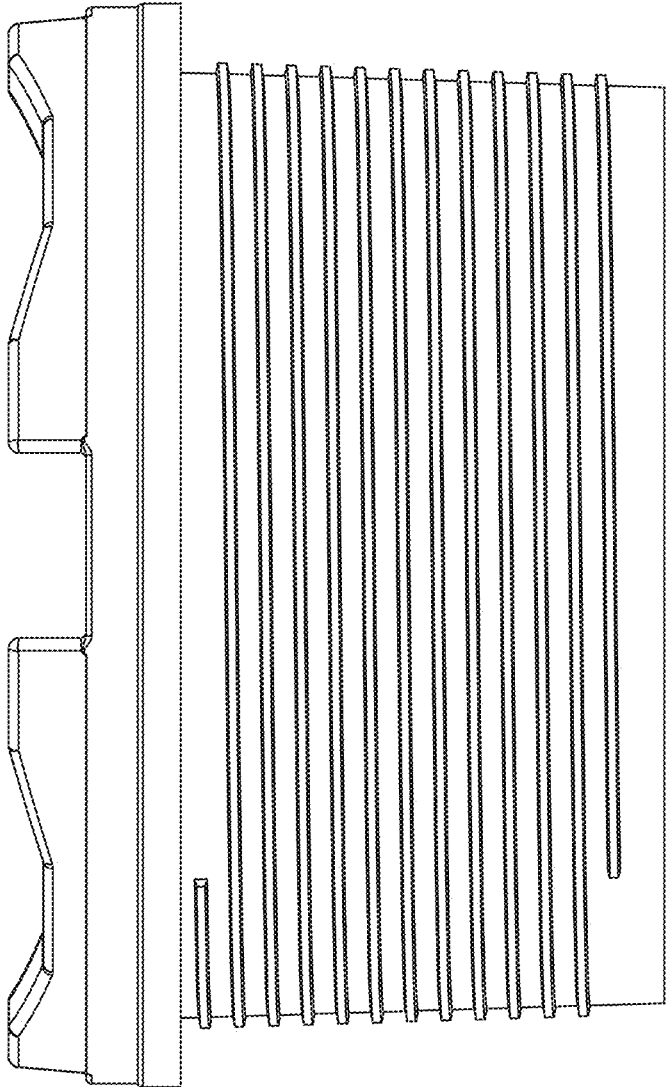


FIG. 4

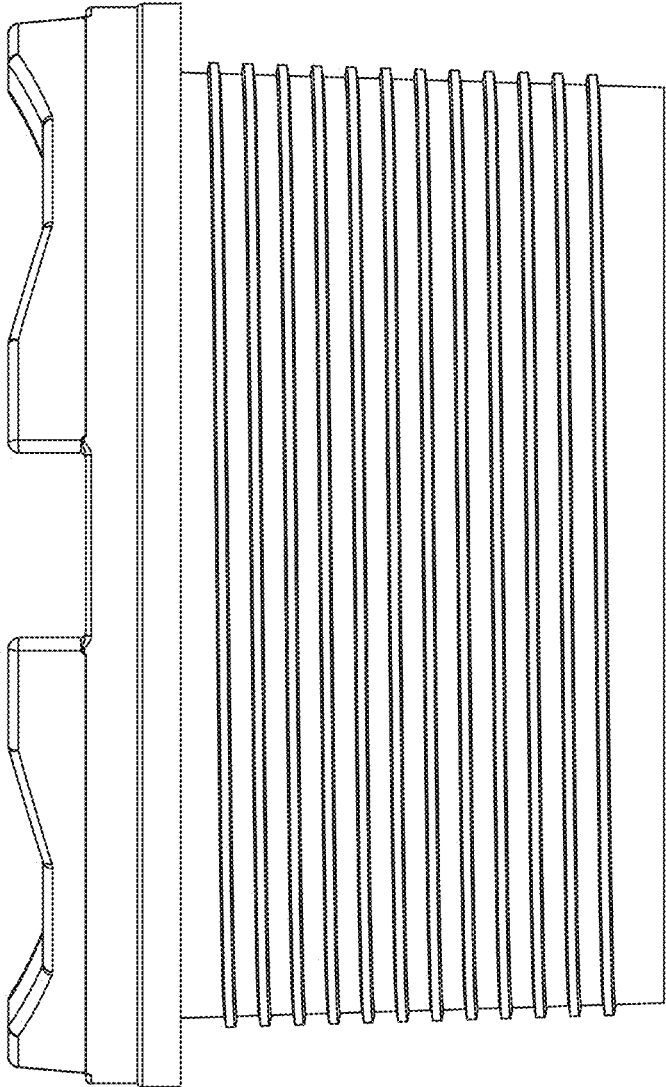


FIG. 5

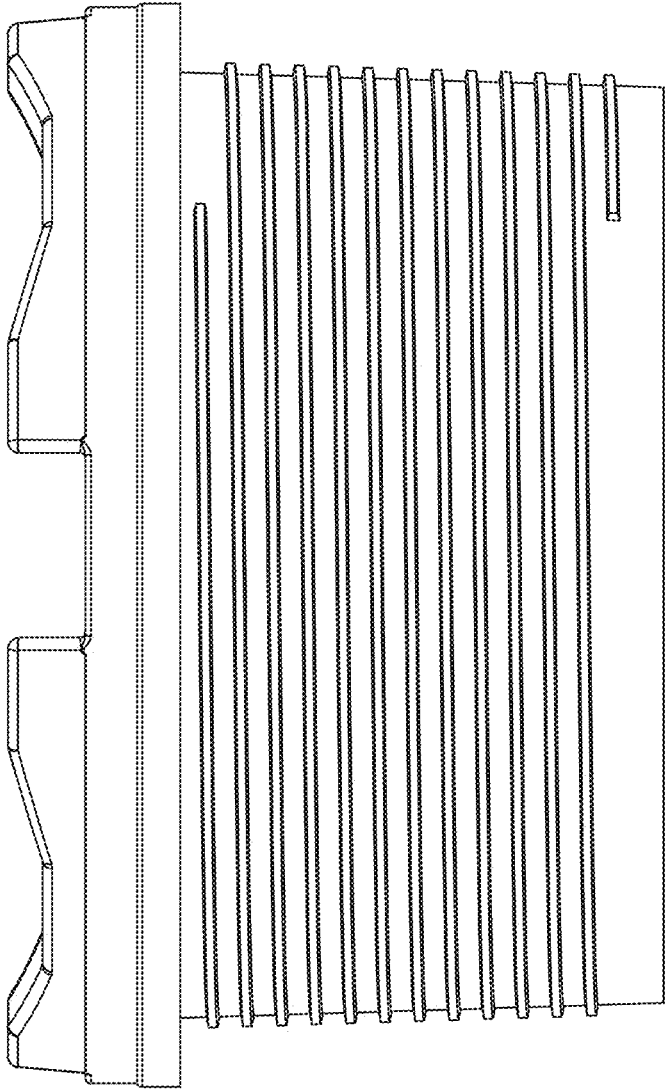


FIG. 6

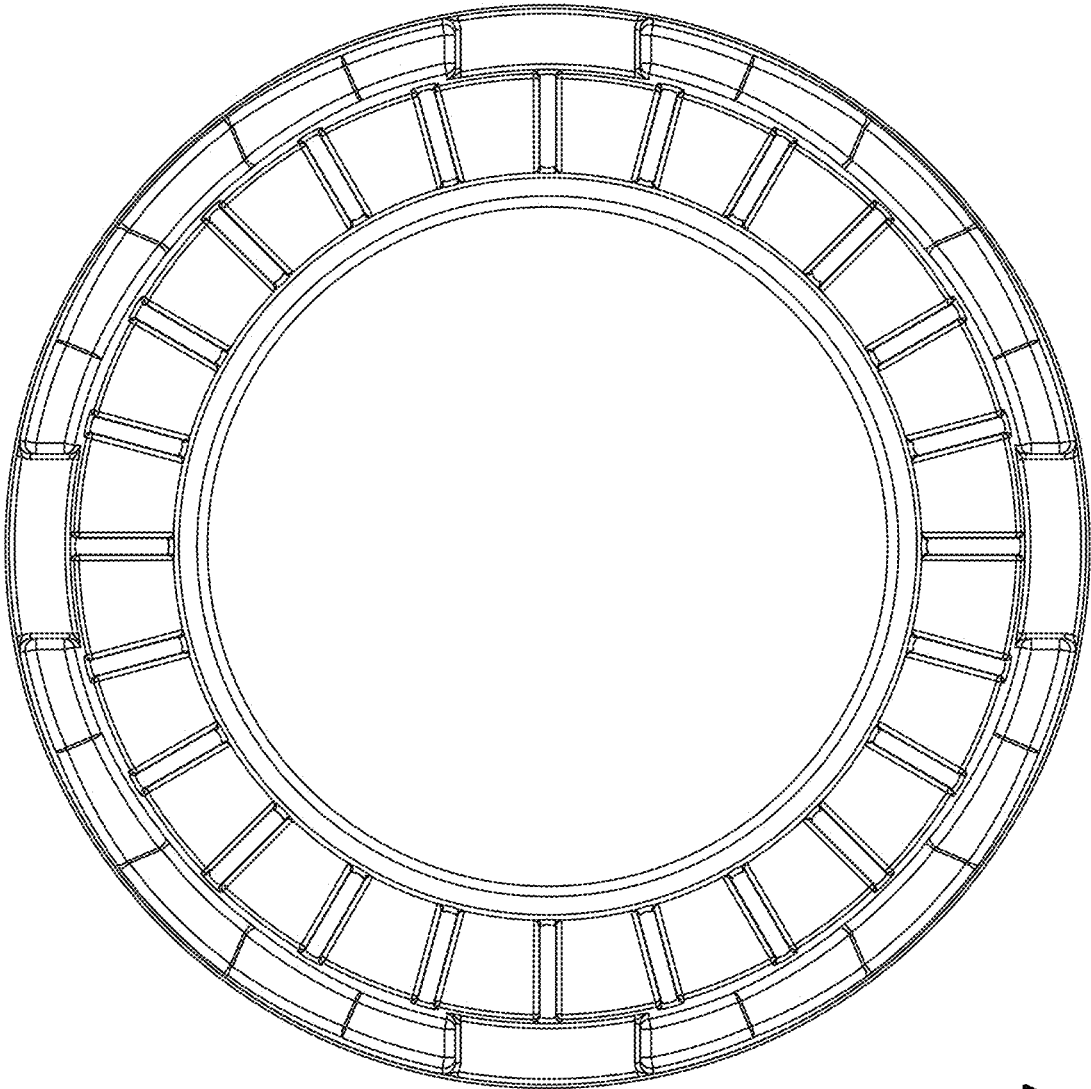


FIG. 7

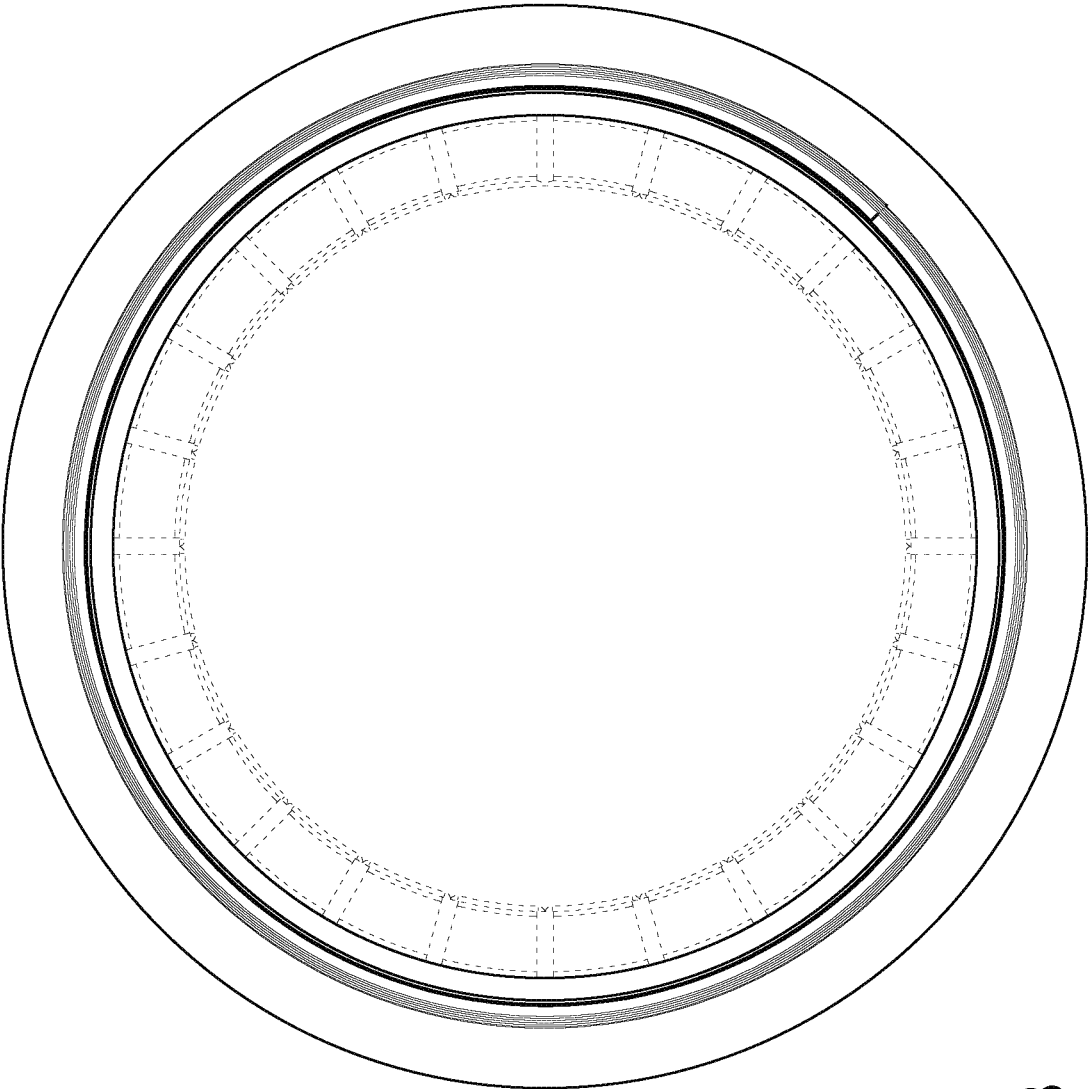


FIG. 8