



US00D506725S

(12) **United States Design Patent**
Watson

(10) **Patent No.:** **US D506,725 S**

(45) **Date of Patent:** **** Jun. 28, 2005**

(54) **BATTERY CHARGER**

(75) **Inventor:** **James B. Watson, Fallston, MD (US)**

(73) **Assignee:** **Black & Decker Inc., Newark, DE (US)**

(**) **Term:** **14 Years**

(21) **Appl. No.:** **29/212,540**

(22) **Filed:** **Sep. 2, 2004**

(51) **LOC (8) Cl.** **13-02**

(52) **U.S. Cl.** **D13/108**

(58) **Field of Search** D13/107-110,
D13/118, 184; D14/251, 253, 432, 434;
D16/219, 237, 242; 320/107-115

(56) **References Cited**

U.S. PATENT DOCUMENTS

D276,149 S	*	10/1984	Eckmann et al.	D13/107
D278,228 S	*	4/1985	Liautaud et al.	D13/107
D278,426 S	*	4/1985	Lanci et al.	D13/107
D313,004 S	*	12/1990	Hasegawa et al.	D13/108
D359,474 S	*	6/1995	Palatov	D13/108

D397,084 S	*	8/1998	Siddoway	D13/107
D400,499 S	*	11/1998	Bunyea	D13/107
D401,552 S	*	11/1998	Tanaka et al.	D13/107
6,597,152 B1	*	7/2003	Jacobs et al.	320/113
2004/0080298 A1	*	4/2004	Maggett et al.	320/107

* cited by examiner

Primary Examiner—Marcus A. Jackson

Assistant Examiner—Rosemary Tarca

(74) *Attorney, Agent, or Firm*—Adan Ayala

(57) **CLAIM**

The ornamental design for a battery charger, as shown and described.

DESCRIPTION

FIG. 1 is a perspective view of a battery charger according to the invention.

FIG. 2 is a front elevational view thereof.

FIG. 3 is a rear elevational view thereof.

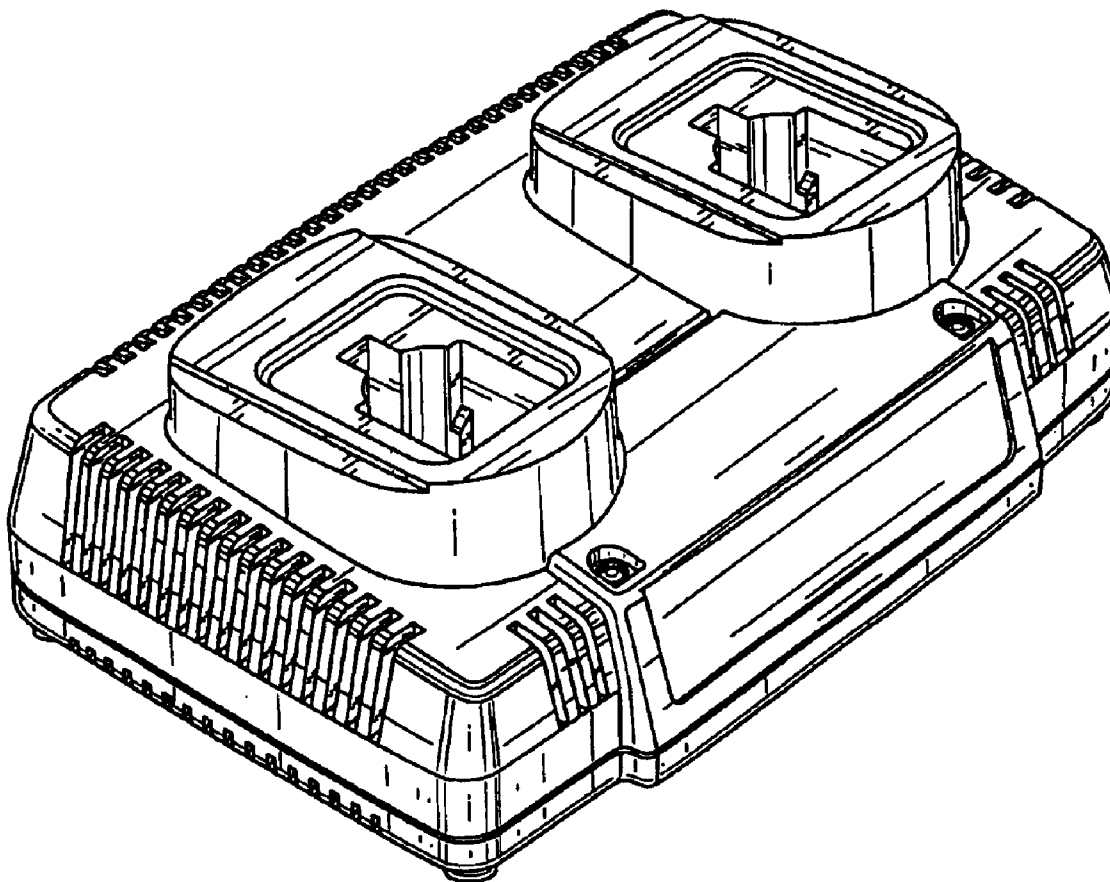
FIG. 4 is a left elevational view thereof.

FIG. 5 is a right elevational view thereof.

FIG. 6 is a top plan view thereof; and,

FIG. 7 is a bottom plan view thereof.

1 Claim, 7 Drawing Sheets



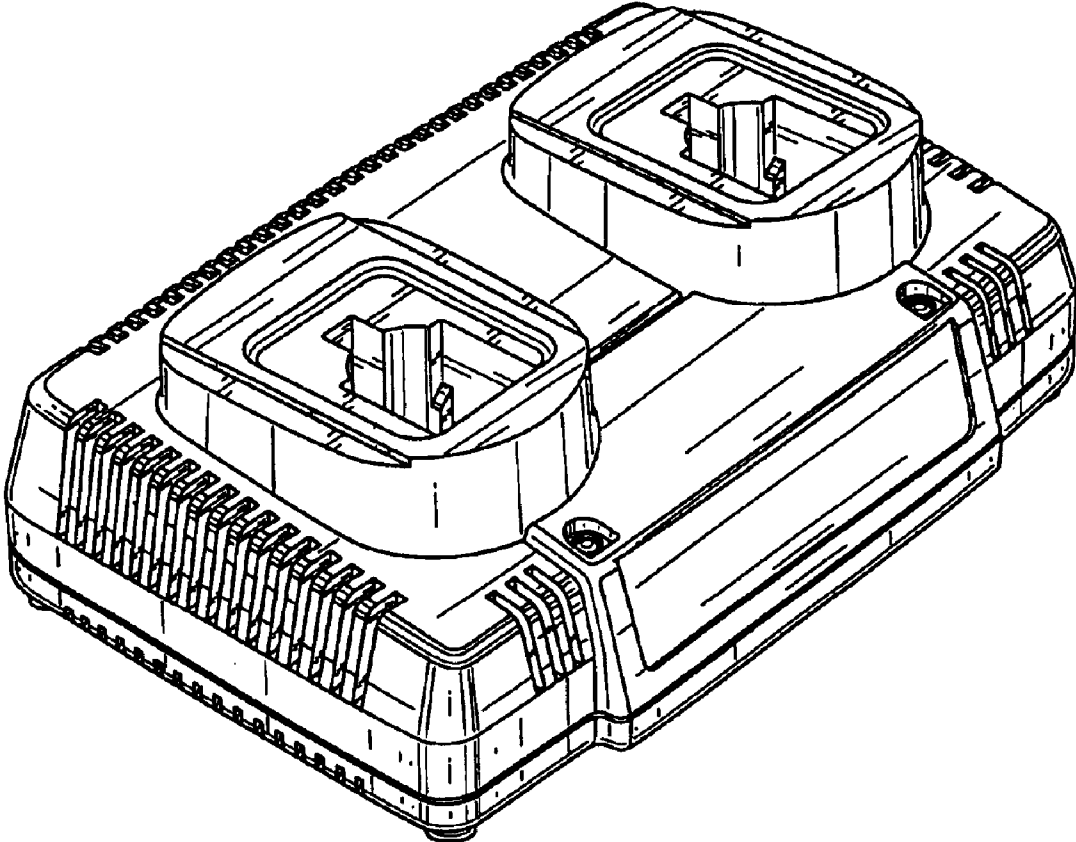


FIG. 1

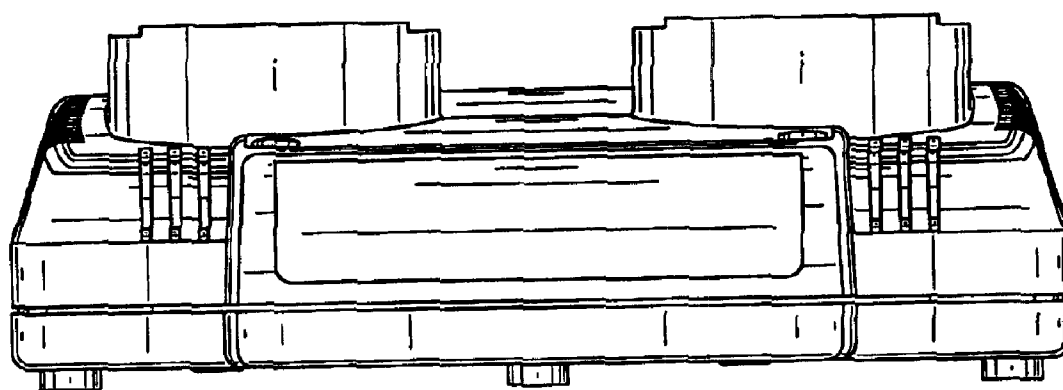


FIG. 2

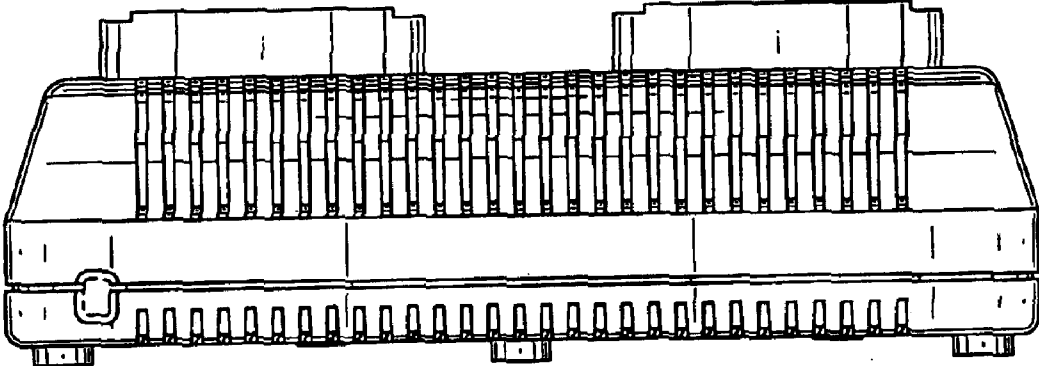


FIG. 3

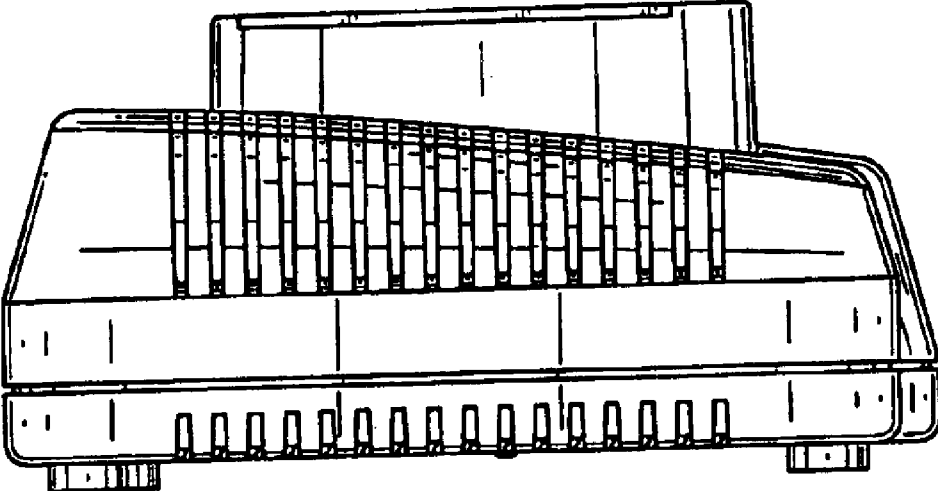


FIG. 4

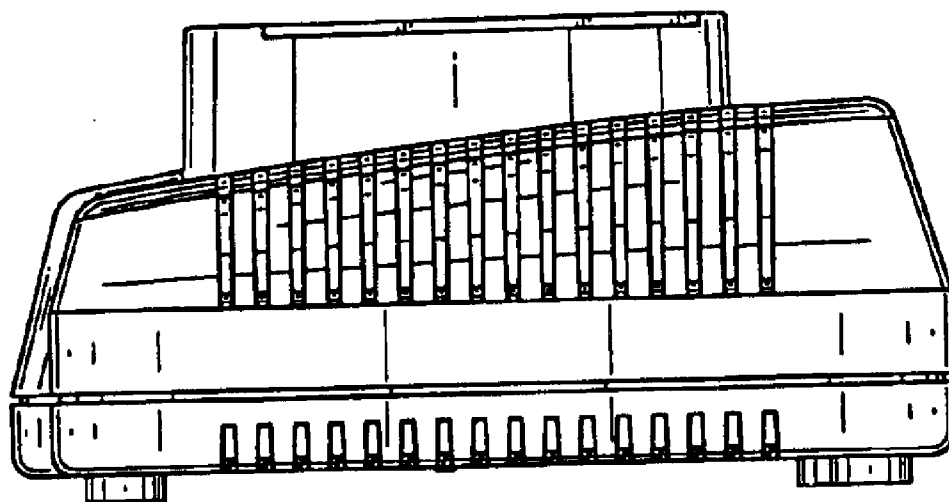


FIG. 5

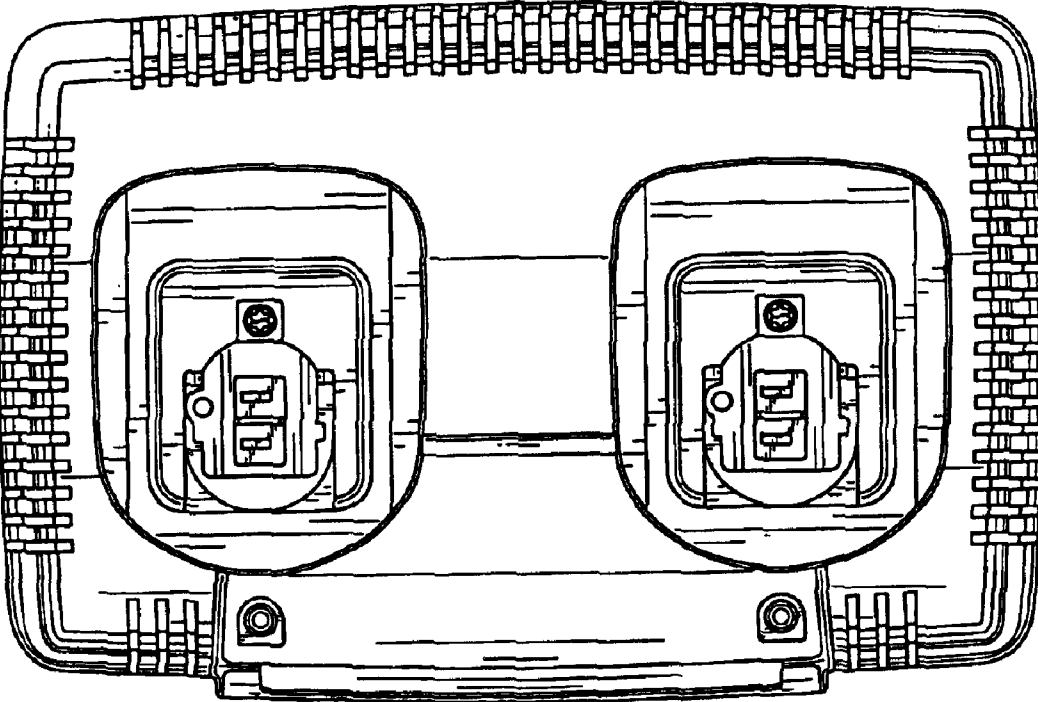


FIG. 6

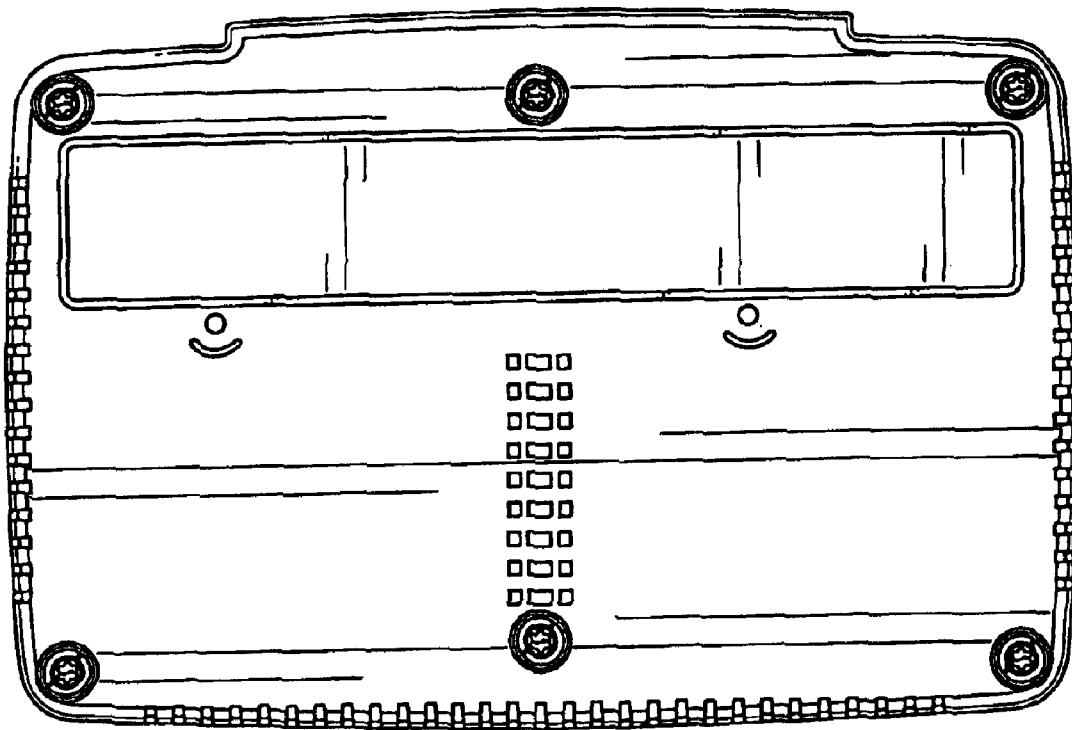


FIG. 7