



US00D822785S

(12) **United States Design Patent**  
**Norris et al.**

(10) **Patent No.:** **US D822,785 S**

(45) **Date of Patent:** **\*\* Jul. 10, 2018**

- (54) **PROJECTILE CASING**
- (71) Applicant: **Wrap Technologies, Inc.**, Las Vegas, NV (US)
- (72) Inventors: **Elwood Norris**, Las Vegas, NV (US); **Lee-Anne Stossell**, Las Vegas, NV (US); **Jin Chen**, Las Vegas, NV (US); **Julian Groeli**, Las Vegas, NV (US)
- (73) Assignee: **Wrap Technologies, Inc.**, Las Vegas, NV (US)
- (\*\*) Term: **15 Years**
- (21) Appl. No.: **29/619,637**
- (22) Filed: **Sep. 29, 2017**
- (51) **LOC (11) Cl.** ..... **22-01**
- (52) **U.S. Cl.**  
USPC ..... **D22/117**
- (58) **Field of Classification Search**  
USPC ..... D22/117  
CPC ..... F41B 11/55; F41B 11/51; F41B 11/62  
See application file for complete search history.

- 1,536,164 A 5/1925 Tainton
- 2,354,451 A 7/1944 Forbes
- 2,372,383 A 3/1945 Lee
- 2,373,363 A 4/1945 Hubert
- 2,373,364 A 4/1945 Wellcome
- 2,611,340 A 9/1952 Manning
- 2,668,499 A 2/1954 Amedee
- 2,797,924 A 7/1957 Stewart
- 3,085,510 A 4/1963 Campbell
- 3,484,665 A 12/1969 Mountjoy et al.
- 3,717,348 A 2/1973 Bowers
- 3,803,463 A 4/1974 Cover
- 3,831,306 A 8/1974 Gregg
- 3,921,614 A 11/1975 Fogelgren
- 4,253,132 A 2/1981 Cover
- 4,559,737 A 12/1985 Washington
- 4,656,947 A 4/1987 Gordon
- 4,664,034 A 5/1987 Christian
- 4,750,692 A 6/1988 Howard

(Continued)

*Primary Examiner* — Michael A. Pratt

(74) *Attorney, Agent, or Firm* — Thorpe, North & Western, LLP

(57) **CLAIM**

The ornamental design for the projectile casing, as shown herein.

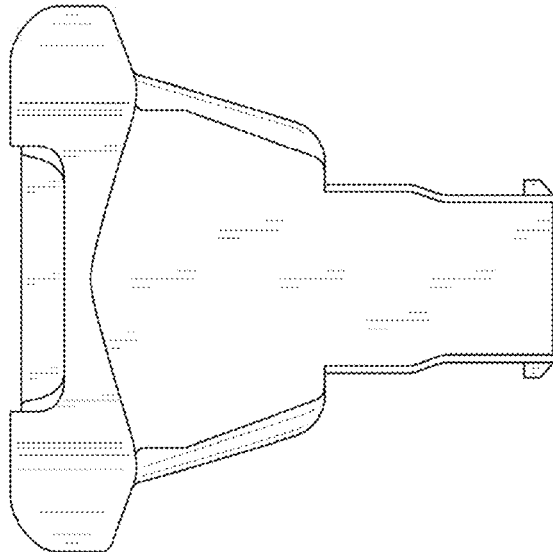
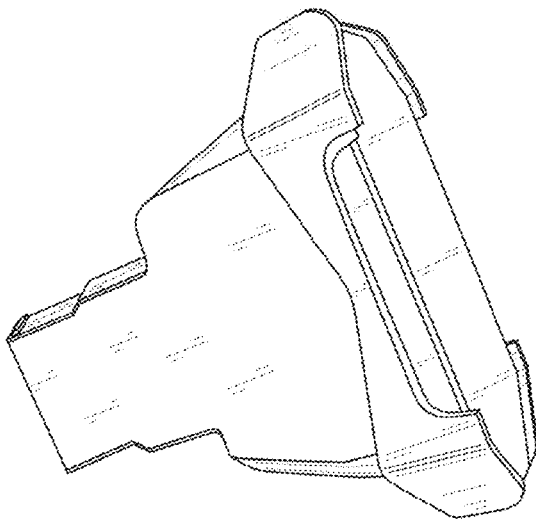
**DESCRIPTION**

FIG. 1 is a perspective view of a projectile casing in accordance with our invention;  
 FIG. 2 is a top view thereof, an opposing bottom view being a mirror image thereof;  
 FIG. 3 is a side view thereof, an opposing side view being a mirror image thereof;  
 FIG. 4 is a front view thereof; and,  
 FIG. 5 is a rear view thereof.  
 The broken lines shown in the figures are directed to environment. The broken lines form no part of the claimed design.

**1 Claim, 3 Drawing Sheets**

(56) **References Cited**  
 U.S. PATENT DOCUMENTS

34,626 A	3/1862	Ely
34,628 A	3/1862	Gault
35,734 A	6/1862	Gault
39,282 A	7/1863	Ganster
347,988 A	8/1886	Boyd
1,151,070 A	8/1915	Victory
1,198,035 A	9/1916	Huntington
1,211,001 A	1/1917	Steinmetz
1,217,415 A	2/1917	Colomyliczuk
1,229,421 A	6/1917	Downs
1,276,689 A	8/1918	Poudrier
1,304,857 A	5/1919	Davis
1,488,182 A	3/1924	Whelton



(56)

References Cited

U.S. PATENT DOCUMENTS

4,752,539	A	6/1988	Vatter	7,673,411	B1	3/2010	Baldwin	
4,912,867	A	4/1990	Dukes, Jr.	7,686,002	B2	3/2010	Andrews	
4,912,869	A	4/1990	Govett	7,778,005	B2	8/2010	Saliga	
5,078,117	A	1/1992	Cover	7,791,858	B2	9/2010	Hummel et al.	
5,103,366	A	4/1992	Battochi	7,856,929	B2	12/2010	Gavin	
5,279,482	A	1/1994	Dzenitis	7,859,818	B2	12/2010	Kroll et al.	
5,315,932	A	5/1994	Bertram	7,900,388	B2	3/2011	Brundula et al.	
5,326,101	A	7/1994	Fay	7,905,180	B2	3/2011	Chen	
5,396,830	A	3/1995	Kornblith	7,950,176	B1	5/2011	Nemtyshkin	
5,460,155	A	10/1995	Hobbs	7,950,329	B1	5/2011	Nemtyshkin et al.	
5,561,263	A	10/1996	Baillood	7,984,676	B1	7/2011	Gavin	
5,649,466	A	7/1997	Genovese	8,024,889	B2	9/2011	Bunker	
5,654,867	A	8/1997	Murray	8,082,199	B2	12/2011	Kwok	
5,698,815	A	12/1997	Ragner	D651,679	S *	1/2012	Klug	D22/108
5,706,795	A	1/1998	Gerwig	8,141,493	B1	3/2012	Kuchman	
5,750,918	A	5/1998	Mangolds	8,186,276	B1	5/2012	Olden	
5,786,546	A	7/1998	Simson	8,231,474	B2	7/2012	Stethem	
5,814,753	A	9/1998	Rieger	8,245,617	B2	8/2012	Martinez	
5,831,199	A	11/1998	McNulty, Jr.	8,261,666	B2	9/2012	Garg	
5,898,125	A	4/1999	Mangolds	8,281,776	B2	10/2012	Rolf Korver et al.	
5,962,806	A	10/1999	Coakley et al.	8,339,763	B2	12/2012	McNulty, Jr.	
5,996,504	A	12/1999	Lowery	8,561,516	B2	10/2013	Martinez	
6,283,037	B1	9/2001	Sclafani	8,601,928	B2	12/2013	Martinez	
6,381,894	B1	5/2002	Murphy	8,671,841	B2	3/2014	Raquin	
6,382,071	B1	5/2002	Bertani	8,695,578	B2	4/2014	Olden	
6,543,173	B1	4/2003	Golan	8,899,139	B2	12/2014	Brill	
6,575,073	B2	6/2003	McNulty, Jr. et al.	9,025,304	B2	5/2015	Brundula et al.	
6,615,622	B2	9/2003	MacAleese	D736,885	S *	8/2015	Swan	D22/108
6,636,412	B2	10/2003	Smith	9,134,099	B2	9/2015	Tseng	
6,729,222	B2	5/2004	McNulty, Jr.	9,303,942	B2	4/2016	Sievers	
6,820,560	B1	11/2004	Romppanen	9,638,498	B2	5/2017	Chang	
6,880,466	B2	4/2005	Carman	D791,901	S *	7/2017	Swan	D22/108
6,898,887	B1	5/2005	Stratbucker	2002/0134365	A1	9/2002	Gray	
7,042,696	B2	5/2006	Smith	2003/0165041	A1	9/2003	Stethem	
7,065,915	B2	6/2006	Chang	2003/0165042	A1	9/2003	Stethem	
7,114,450	B1	10/2006	Chang	2005/0166441	A1	8/2005	Mattox	
7,143,539	B2	12/2006	Cerovic et al.	2007/0101893	A1	5/2007	Shalev	
7,218,501	B2	5/2007	Keely	2007/0264079	A1	11/2007	Martinez	
7,237,352	B2	7/2007	Keely et al.	2009/0084284	A1	4/2009	Martinez et al.	
7,314,007	B2	1/2008	Su	2010/0126483	A1	5/2010	Makowski	
7,327,549	B2	2/2008	Smith	2011/0271825	A1	11/2011	Howland	
D570,948	S *	6/2008	Cerovic	2012/0210904	A1	8/2012	Merems	
7,412,975	B2	8/2008	Dillon, Jr.	2014/0331984	A1	11/2014	Brahler, II	
7,444,939	B2	11/2008	McNulty et al.	2015/0075073	A1	3/2015	Sylvester	
7,444,940	B2	11/2008	Kapeles et al.	2015/0168107	A1	6/2015	Tseng	
D602,109	S *	10/2009	Cerovic	2015/0241180	A1	8/2015	Pruett	
7,640,839	B2	1/2010	McNulty, Jr.	2015/0316345	A1	11/2015	Brahler, II	
7,640,860	B1	1/2010	Glover	2016/0161225	A1	6/2016	Searle et al.	
				2016/0238350	A1	9/2016	Tseng	
				2017/0160060	A1	6/2017	Purvis	

\* cited by examiner

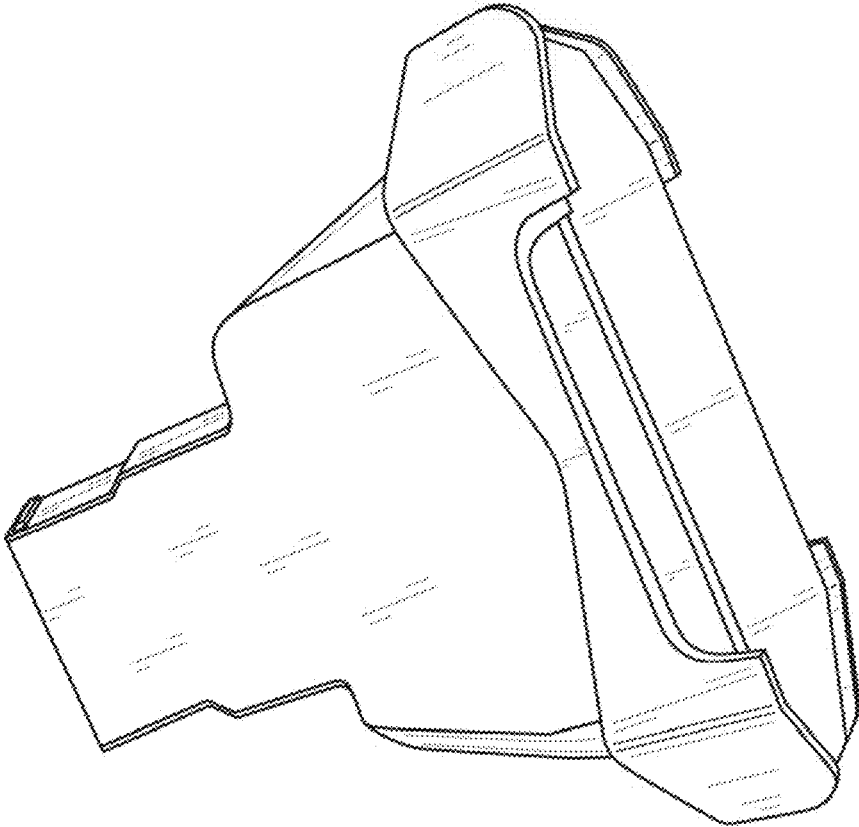


FIG. 1

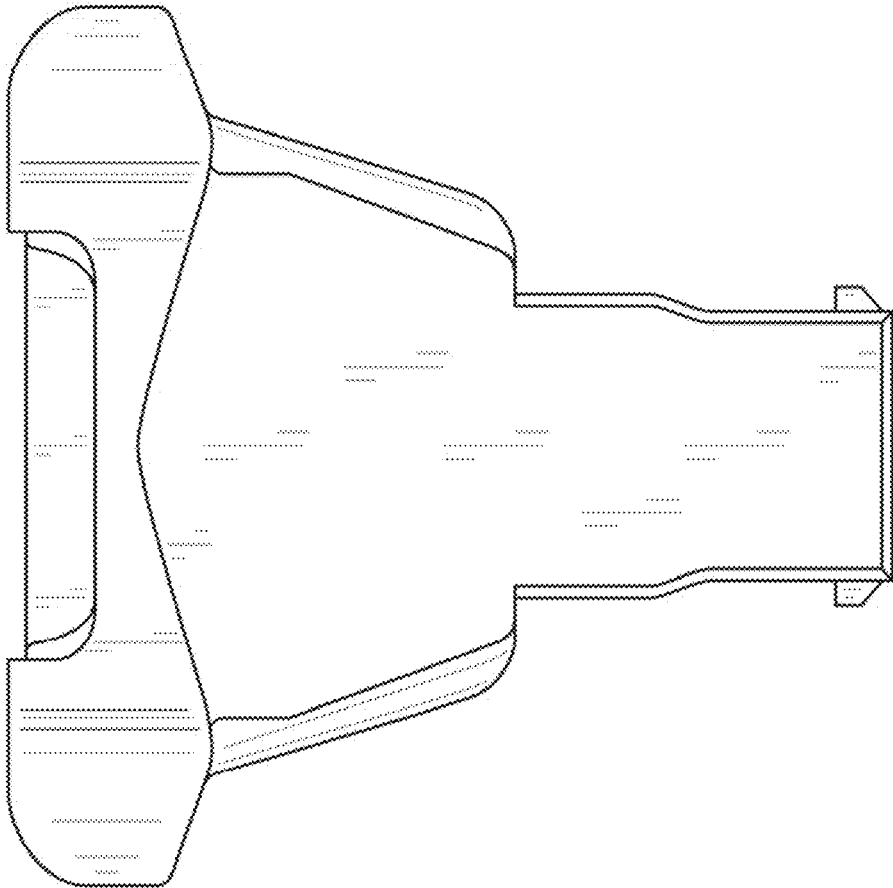


FIG. 2

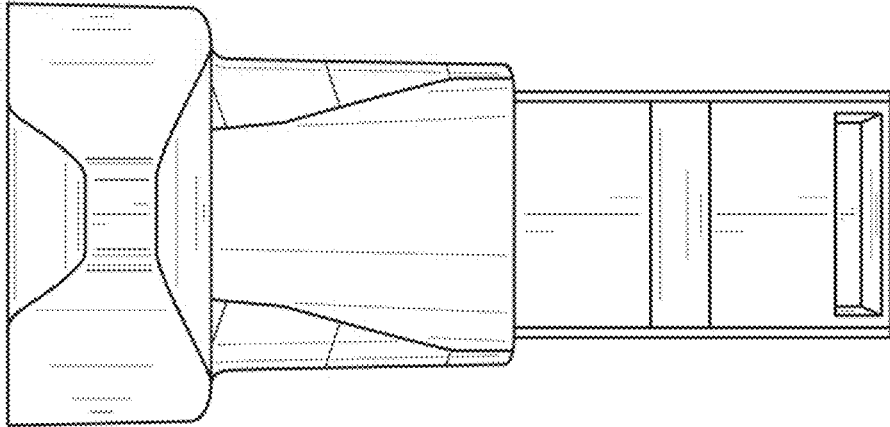


FIG. 3

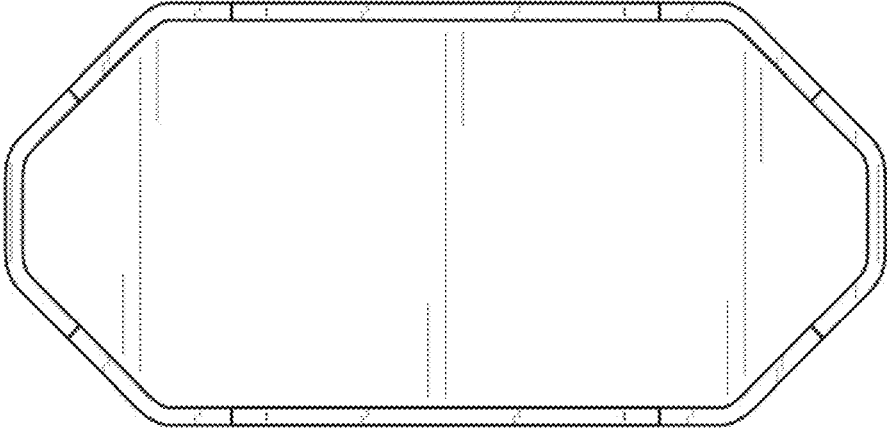


FIG. 4

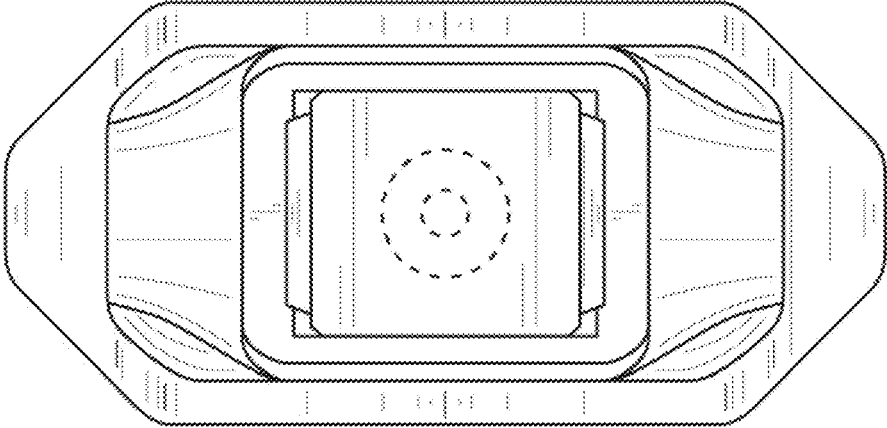


FIG. 5