



US00D990183S

(12) **United States Design Patent**  
**Persson**

(10) **Patent No.:** **US D990,183 S**

(45) **Date of Patent:** **\*\* Jun. 27, 2023**

(54) **VEHICLE SEAT**

(71) Applicant: **VOLVO CAR CORPORATION,**  
Gothenburg (SE)

(72) Inventor: **Sven-Olof Persson, MÖlnlycke (SE)**

(73) Assignee: **VOLVO CAR CORPORATION,**  
Gothenburg (SE)

(\*\*) Term: **15 Years**

(21) Appl. No.: **29/856,913**

(22) Filed: **Oct. 18, 2022**

(30) **Foreign Application Priority Data**

Apr. 21, 2022 (EM) ..... 008944672-0002

(51) **LOC (14) CL.** ..... **06-01**

(52) **U.S. CL.**  
USPC ..... **D6/356**

(58) **Field of Classification Search**

USPC ..... D6/335, 336, 338, 356, 357, 360, 361,  
D6/367, 381, 716, 716.5; D12/16, 317,  
D12/345

CPC . B60N 2/00; B60N 2/005; B60N 2/02; B60N  
2/04; B60N 2/06; B60N 2/10; B60N  
2/16; B60N 2/20; B60N 2/22; B60N  
2/30; B60N 2/32; B64D 11/06; B64D  
11/0601; B64D 11/0602; B64D 11/0606;  
B63B 29/04

See application file for complete search history.

(56) **References Cited**

**U.S. PATENT DOCUMENTS**

D723,823 S \* 3/2015 Persson ..... D6/356  
D723,824 S \* 3/2015 Persson ..... D6/356  
D804,838 S \* 12/2017 Blomme ..... D6/356  
D805,313 S \* 12/2017 Varga ..... D6/356  
D808,185 S \* 1/2018 Kondo ..... D6/356

D897,702 S \* 10/2020 Bekas ..... D6/356  
D959,160 S \* 8/2022 Jung ..... D6/356  
D966,727 S \* 10/2022 Goodrich ..... D6/356  
2010/0109390 A1\* 5/2010 Nishimura ..... B60N 2/002  
297/180.12  
2016/0207423 A1\* 7/2016 Kolich ..... B60N 2/0252  
2017/0036579 A1\* 2/2017 Line ..... B60N 2/7017  
2018/0326872 A1\* 11/2018 Osterhoff ..... B60N 2/682

**OTHER PUBLICATIONS**

Design 008944672-0002, application date Apr. 21, 2022, country code EU, publication date Dec. 22, 2022, owner Volvo Car Corporation (Year: 2022).\*

2024 Volvo EX90, available in volvocars.com, site visited on Feb. 16, 2023, URL:https://www.volvocars.com/us/cars/ex90-electric/?gclid=EAlalQobChMlye-guL-a\_QIVj6\_ICh3XUAxoEAAYASAAEgLR9\_D\_BwE&gclsrc=aw.ds (Year: 2023).\*

\* cited by examiner

*Primary Examiner* — Mary Ann Calabrese  
*Assistant Examiner* — Mark David Wolfley  
(74) *Attorney, Agent, or Firm* — Calderon Safran & Cole PC

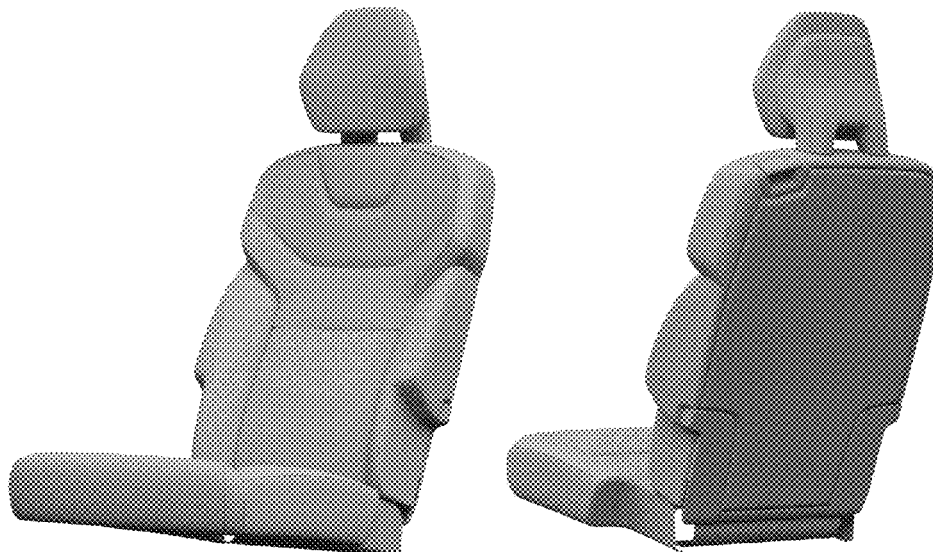
(57) **CLAIM**

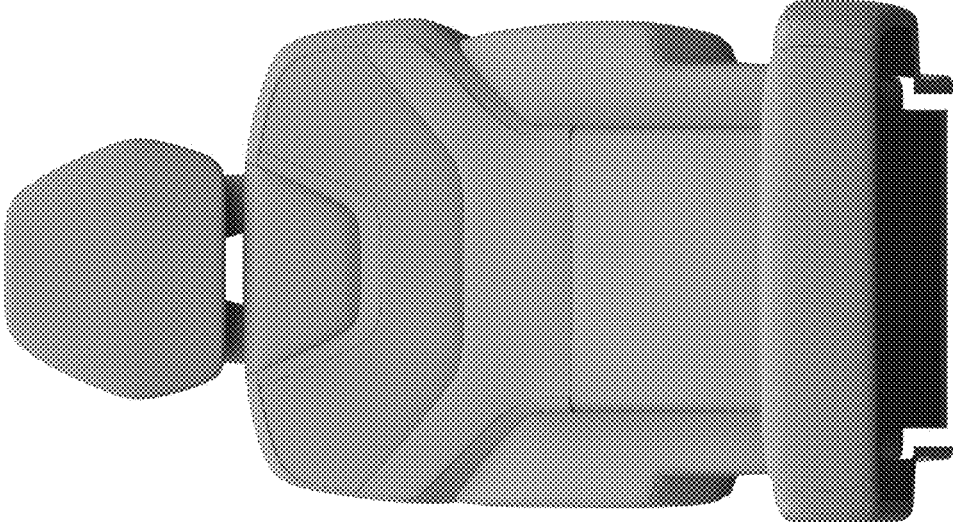
The ornamental design for a vehicle seat, as shown and described.

**DESCRIPTION**

FIG. 1 is a front view of a vehicle seat showing my new design;  
FIG. 2 is a front right perspective view thereof;  
FIG. 3 is a rear right perspective view thereof;  
FIG. 4 is a right side view thereof;  
FIG. 5 is a left side view thereof;  
FIG. 6 is a rear view thereof;  
FIG. 7 is a top view thereof; and,  
FIG. 8 is a bottom view thereof.

**1 Claim, 8 Drawing Sheets**

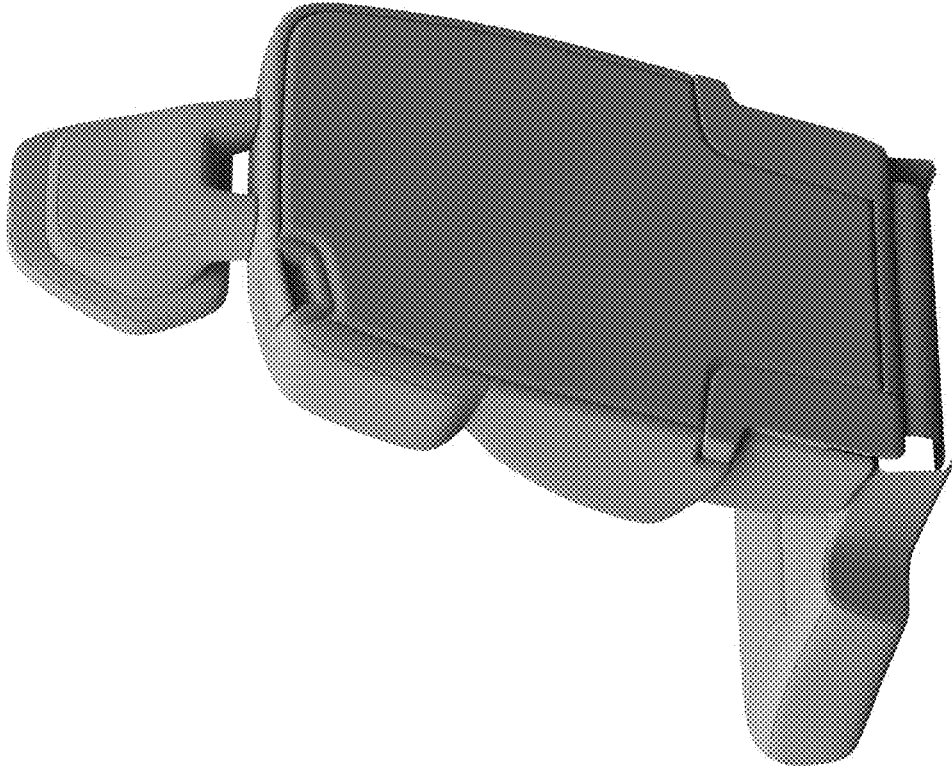




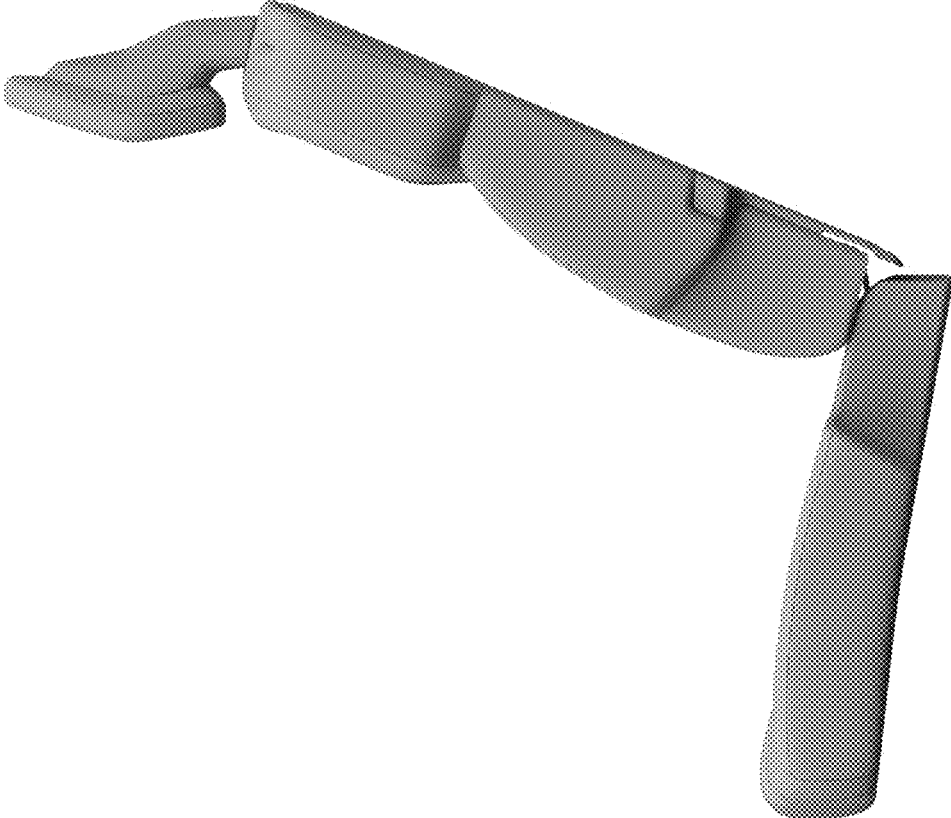
**FIG. 1**



**FIG. 2**



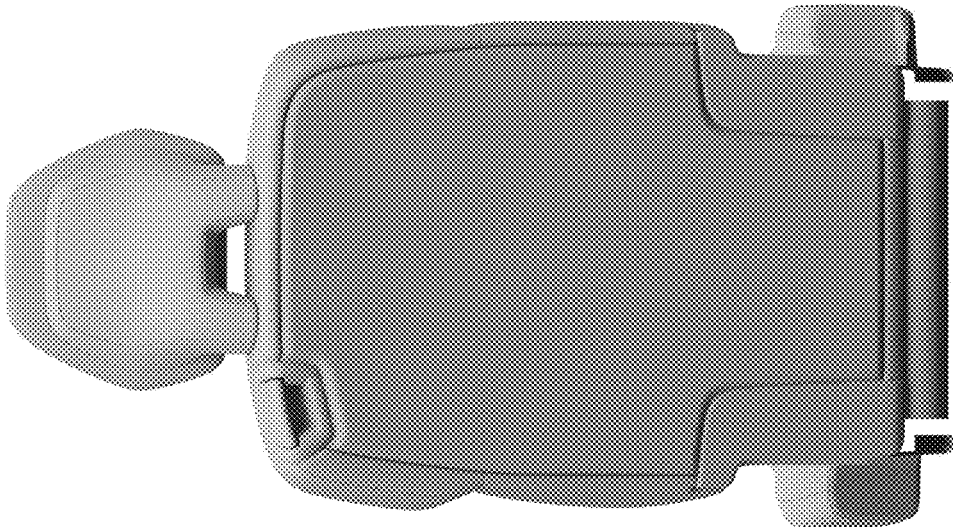
**FIG. 3**



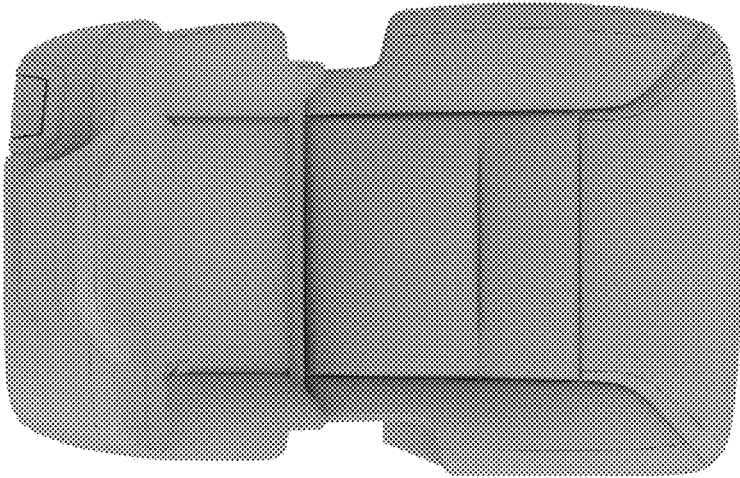
**FIG. 4**



**FIG. 5**

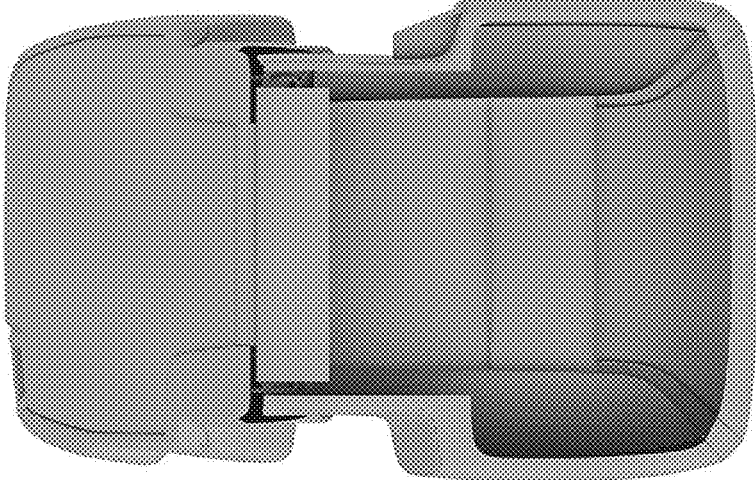


**FIG. 6**



**FIG. 7**





**FIG. 8**