



US00D586186S

(12) **United States Design Patent**
Bhavnani

(10) **Patent No.:** **US D586,186 S**

(45) **Date of Patent:** **** Feb. 10, 2009**

(54) **BOTTLE BASE**

(75) Inventor: **Dilip Bhavnani**, Beverly Hills, CA (US)

(73) Assignee: **Sun Coast Merchandise Corporation**,
Commerce, CA (US)

(**) Term: **14 Years**

(21) Appl. No.: **29/299,659**

(22) Filed: **Dec. 31, 2007**

(51) **LOC (9) Cl.** **07-07**

(52) **U.S. Cl.** **D7/605**

(58) **Field of Classification Search** D7/605,
D7/608, 509-511, 317; D9/715, 716, 500,
D9/549; 215/13.1; 220/62.12, 592.16, 592.17,
220/592.2

See application file for complete search history.

(56) **References Cited**

U.S. PATENT DOCUMENTS

- D336,825 S * 6/1993 Ivey D7/605
- D476,856 S * 7/2003 Belton et al. D7/605

OTHER PUBLICATIONS

U.S. Appl. No. 29/299,658, Dilip Bhavnani.

* cited by examiner

Primary Examiner—Lisa P Lichtenstein

(74) *Attorney, Agent, or Firm*—The Soni Law Firm

(57) **CLAIM**

The ornamental design for a bottle base, as shown and described.

DESCRIPTION

FIG. 1 is a left side top perspective view of the bottle base showing my new design;

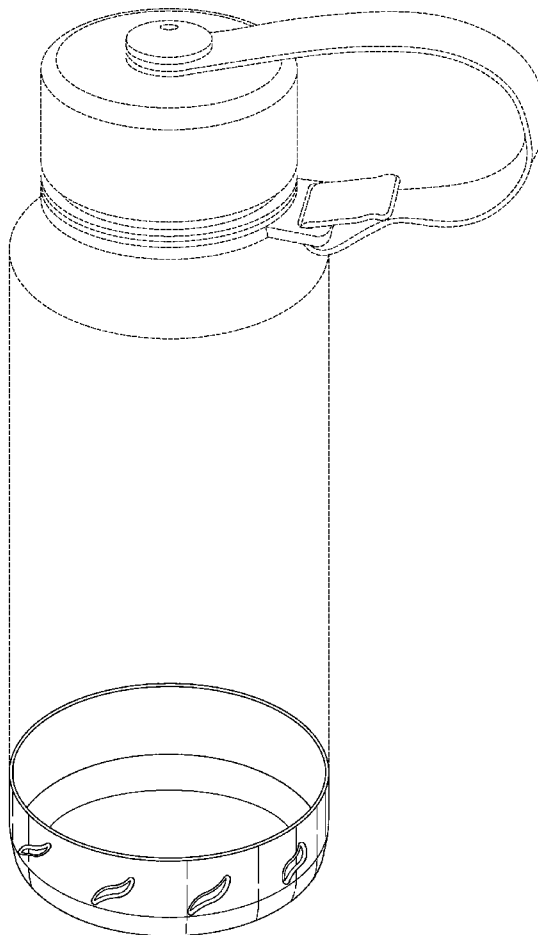
FIG. 2 is a left side elevational view thereof which is a mirror image of the right side, front, and back views thereof;

FIG. 3 is a top plan view thereof; and,

FIG. 4 is a bottom plan view thereof.

The broken line showing of portions of the bottle is included for the purpose of illustrating environmental structure and forms no part of the claimed design.

1 Claim, 2 Drawing Sheets



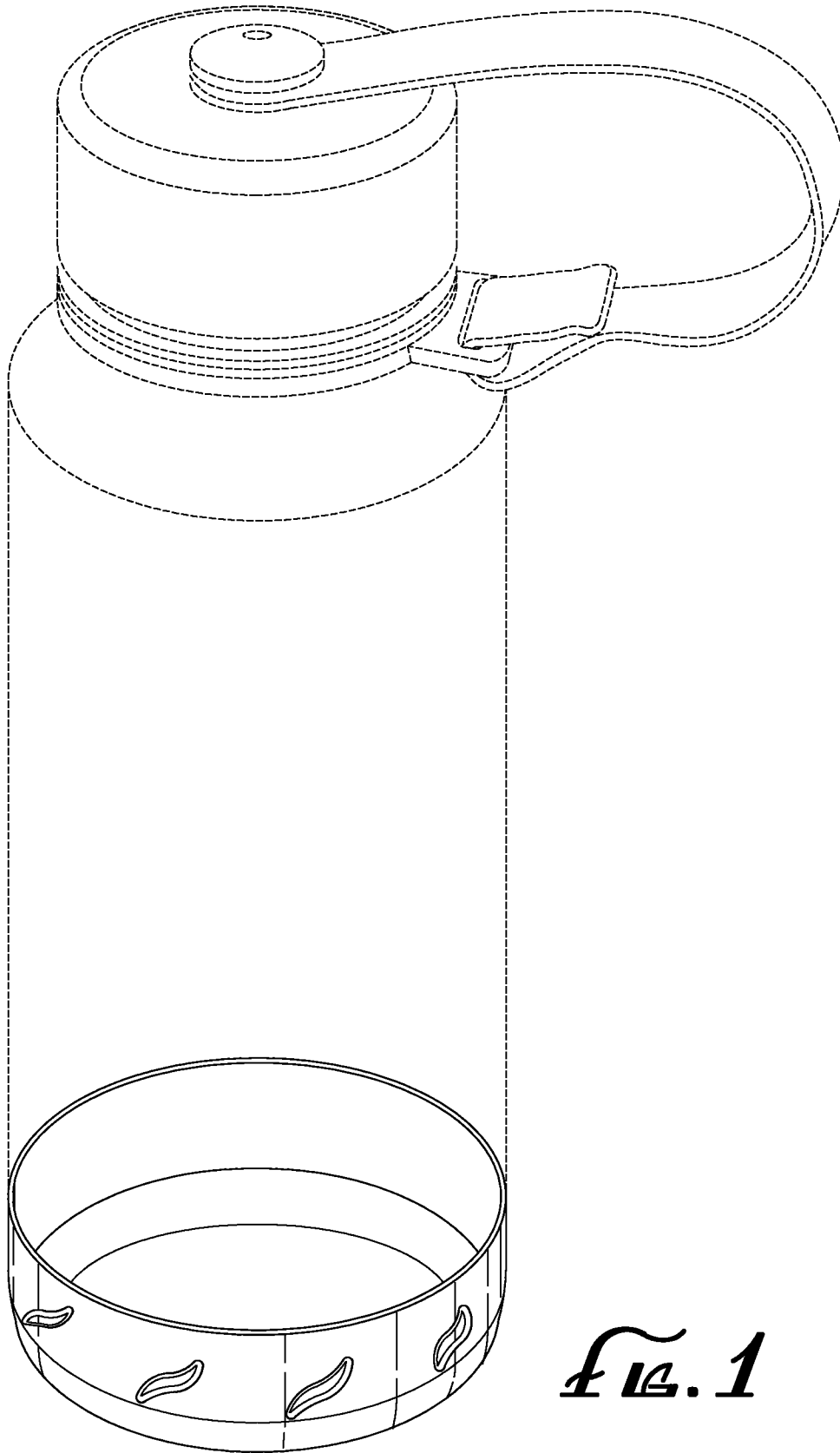


FIG. 1

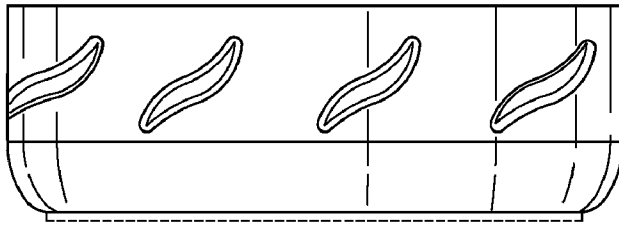


FIG. 2

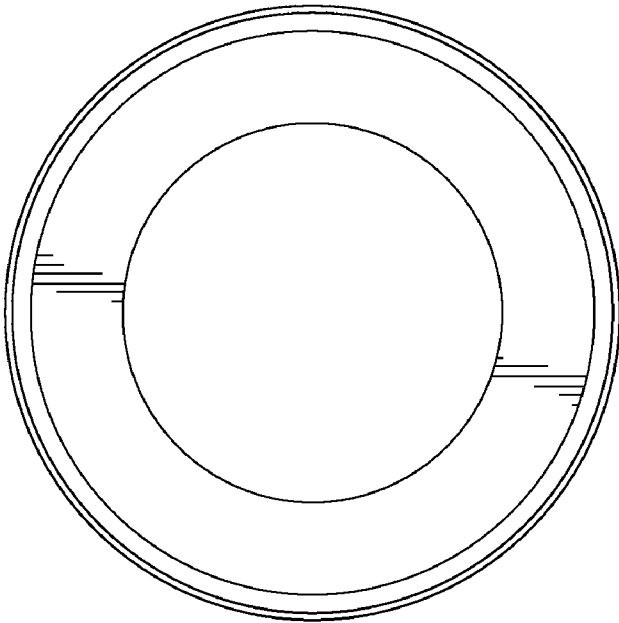


FIG. 3

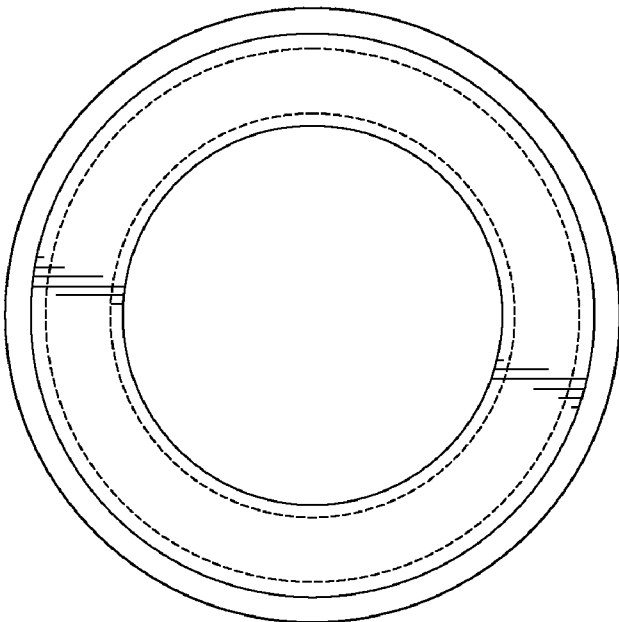


FIG. 4