



US00D831006S

(12) **United States Design Patent**
Gong

(10) **Patent No.:** **US D831,006 S**

(45) **Date of Patent:** **** Oct. 16, 2018**

(54) **ANTENNA INSULATOR FOR A MOBILE PHONE**

(71) Applicant: **Guang Dong Oppo Mobile Telecommunications Corp., Ltd.**, Dongguan, Guangdong (CN)

(72) Inventor: **Guan Gong**, Guangdong (CN)

(73) Assignee: **Guangdong Oppo Mobile Telecommunications Corp., Ltd.**, Dongguan, Guangdong (CN)

(**) Term: **15 Years**

(21) Appl. No.: **29/560,391**

(22) Filed: **Apr. 6, 2016**

(51) **LOC (11) Cl.** **14-03**

(52) **U.S. Cl.**

USPC **D14/230; D14/250**

(58) **Field of Classification Search**

USPC D14/138, 230, 231, 232, 234, 235, 236, D14/237, 238, 238.1, 250, 299, 358; D13/182

CPC G01R 29/10; G01S 2013/0245; G01S 2013/0254; G01S 2013/0263; G01S 7/4026; G05B 2219/45001; G06K 19/07773; G06K 19/07775; G06K 19/07777; G08B 13/2468; G08B 13/2477; H01Q 1/088

See application file for complete search history.

(56) **References Cited**

U.S. PATENT DOCUMENTS

D558,758	S	*	1/2008	Andre	D14/138	G
D606,305	S	*	12/2009	Lee	D3/269	
D606,533	S	*	12/2009	de Jong	D14/250	
D655,287	S	*	3/2012	de Jong	D14/341	
D663,297	S	*	7/2012	de Jong	D14/341	
D672,739	S	*	12/2012	Sin	D14/138	G
D678,327	S	*	3/2013	Lee	D14/203.3	

(Continued)

OTHER PUBLICATIONS

<https://www.lelong.com.my/xiaomi-redmi-3-3s-note-3-pro-mi-5-mi-max-mirror-bumper-case-cover-soky6019-11656883-2007-01-Sale-1.htm>—Retrieved on May 21, 2018.*

Primary Examiner — Manpreet S Matharu

Assistant Examiner — Mojtaba Tehrani

(74) *Attorney, Agent, or Firm* — Young Basile Hanlon & MacFarlane, P.C.

(57) **CLAIM**

The ornamental design for an antenna insulator for a mobile phone, as shown and described.

DESCRIPTION

FIG. 1 is a lower, front, right perspective view of the first embodiment of an antenna insulator for a mobile phone, showing my new design;

FIG. 2 is a front view thereof;

FIG. 3 is a rear view thereof;

FIG. 4 is a left side view thereof;

FIG. 5 is a partially enlarged view of the top, left side view thereof;

FIG. 6 is a right side view thereof;

FIG. 7 is a top view thereof; the bottom view is a mirror image thereto;

FIG. 8 is a lower, front, right perspective view of the second embodiment of an antenna insulator for a mobile phone, showing my new design;

FIG. 9 is a front view thereof; the rear view being the same as FIG. 3;

FIG. 10 is a left side view thereof;

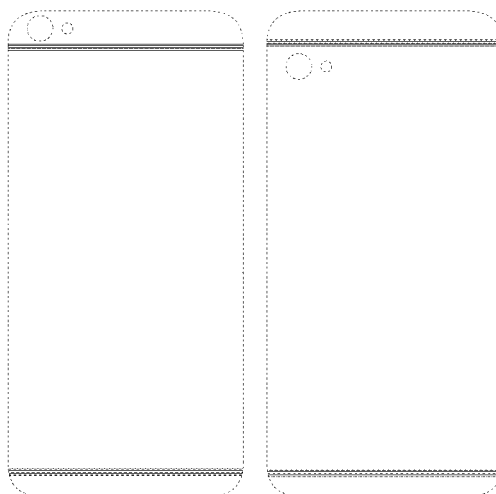
FIG. 11 is a partially enlarged view of the top, left side view thereof; and,

FIG. 12 is a right side view thereof.

The top view of the antenna insulator thereof; the bottom view is a mirror image thereto.

The broken line in the figure drawings represents unclaimed environment only and forms no part of the claimed design.

1 Claim, 11 Drawing Sheets



(56)

References Cited

U.S. PATENT DOCUMENTS

D679,692	S	*	4/2013	Fahrendorff	D14/250
D685,737	S	*	7/2013	de Jong	D13/119
D685,740	S	*	7/2013	Moore	D13/119
D691,601	S	*	10/2013	Murchison	D14/250
D692,418	S	*	10/2013	Fahrendorff	D14/250
D707,215	S	*	6/2014	Weller	D14/250
D716,281	S	*	10/2014	Melanson	D14/250
D716,282	S	*	10/2014	Melanson	D14/250
D716,783	S	*	11/2014	Loncar	D14/250
D719,946	S	*	12/2014	Chiang	D14/250
D731,481	S	*	6/2015	Akana	D14/341
D733,693	S	*	7/2015	Wang	D14/248
D737,814	S	*	9/2015	Cha	D14/341
D739,391	S	*	9/2015	Chen	D14/248
D746,275	S	*	12/2015	Mohammad	D14/250
D751,540	S	*	3/2016	Shin	D14/250
D761,239	S	*	7/2016	Kim	D14/250
D763,840	S	*	8/2016	Hwang	D14/250
D781,838	S	*	3/2017	Kim	D14/250
D783,602	S	*	4/2017	Akana	D14/341
D788,727	S	*	6/2017	Kuo	D14/138 G
D794,003	S	*	8/2017	Chen	D14/248
D801,959	S	*	11/2017	Kuo	D14/248
D813,215	S	*	3/2018	Banerjee	D14/248

* cited by examiner

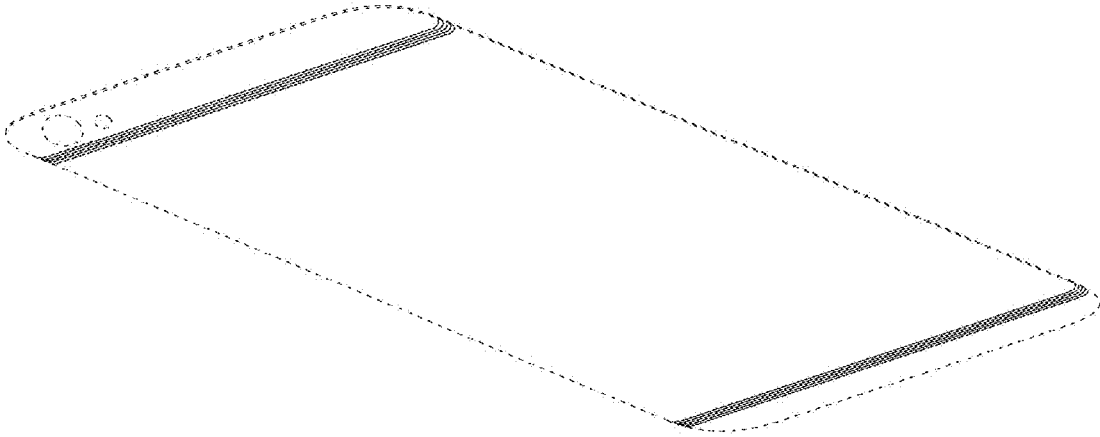


FIG. 1

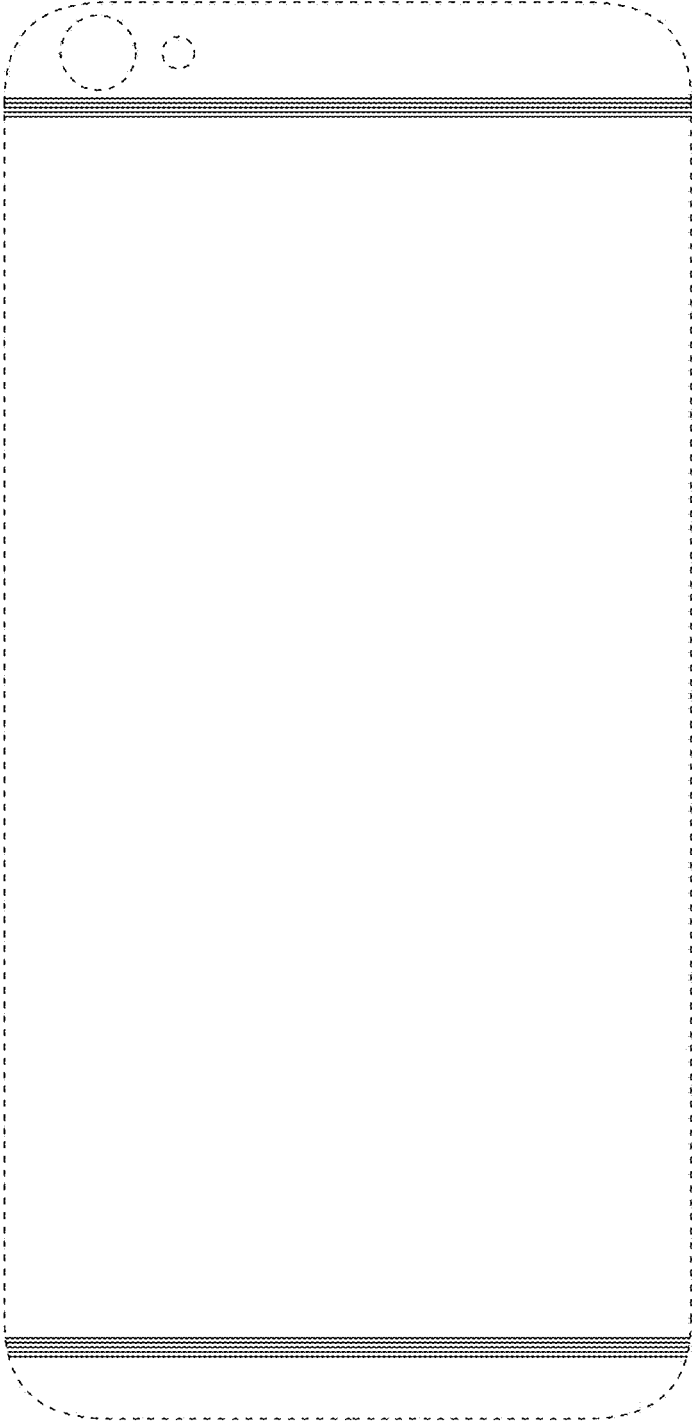


FIG. 2

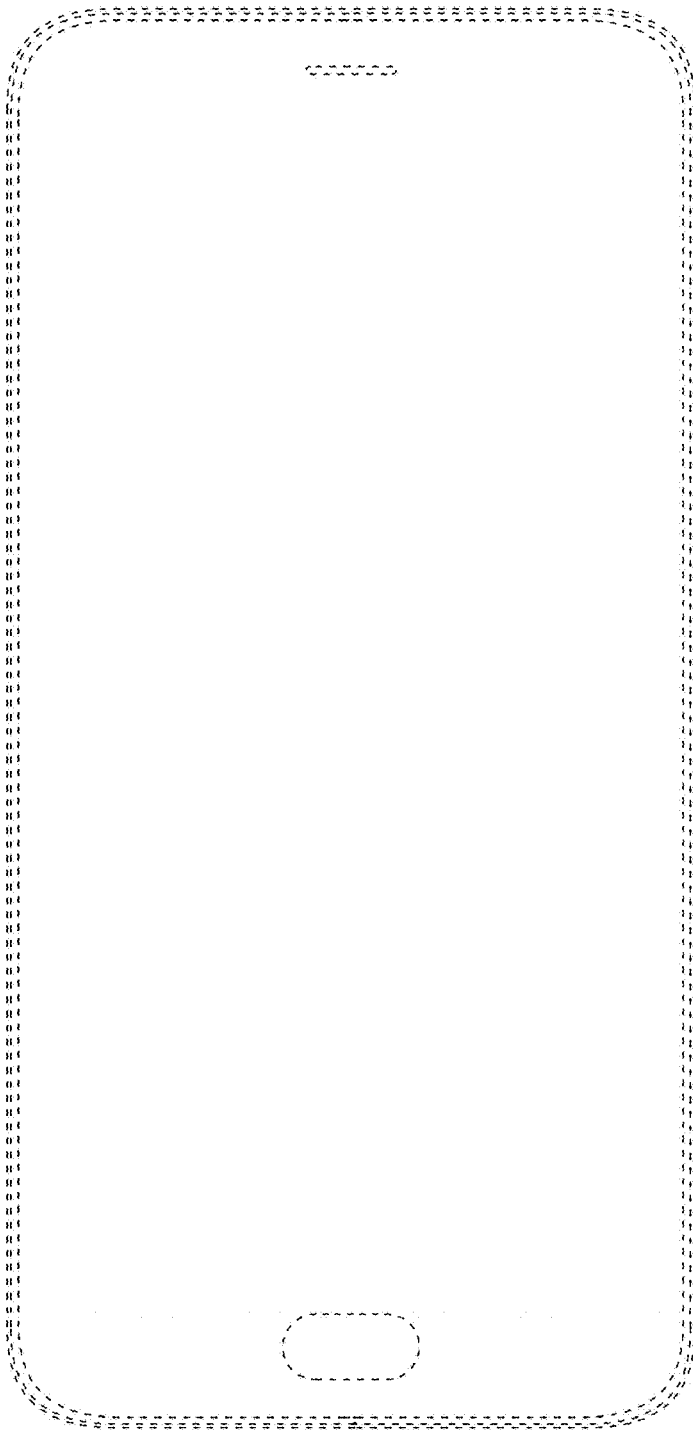


FIG. 3

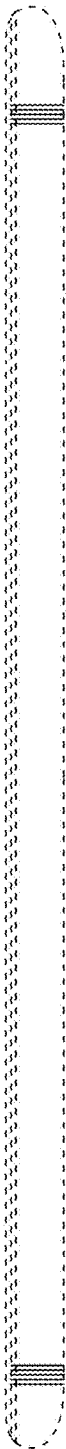


FIG. 4

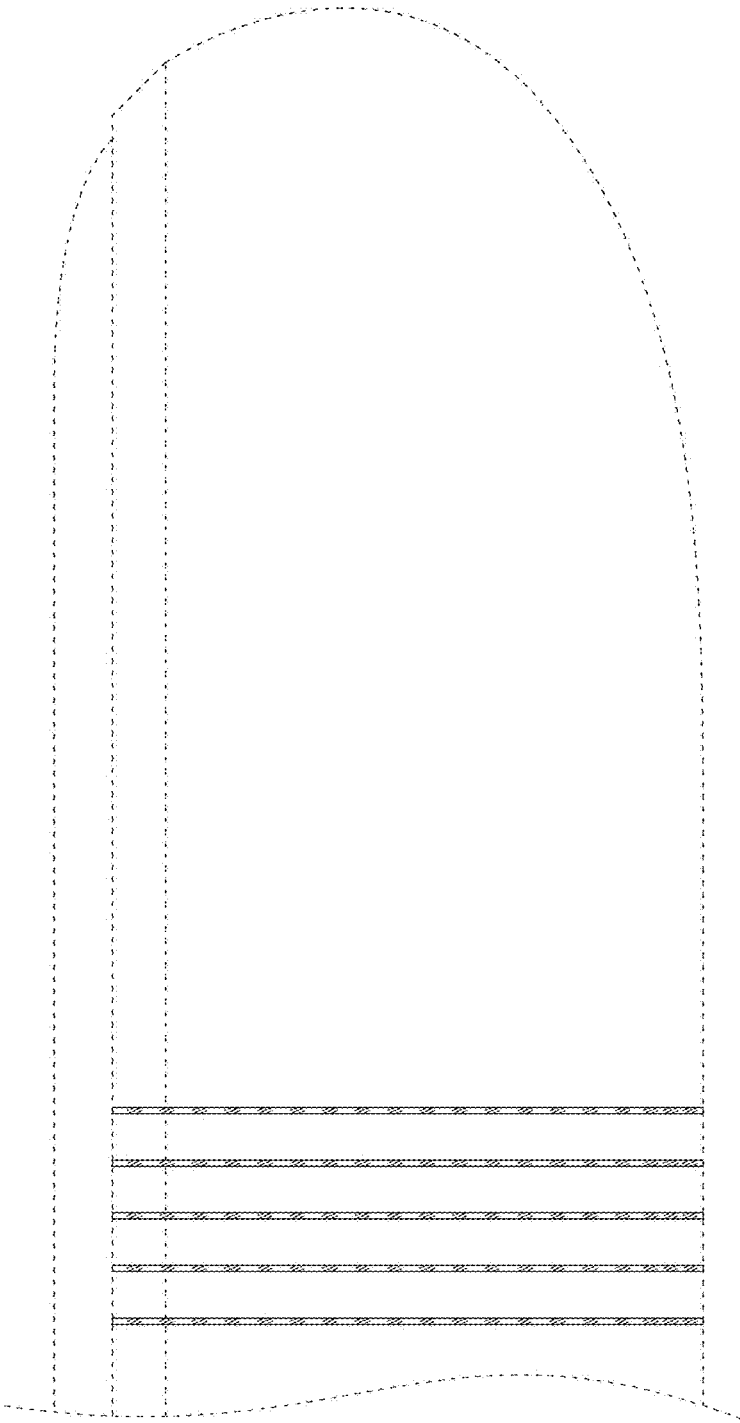


FIG. 5

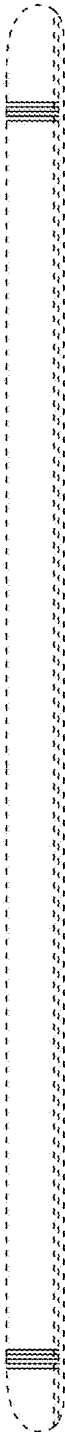


FIG. 6

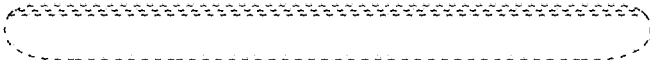


FIG. 7

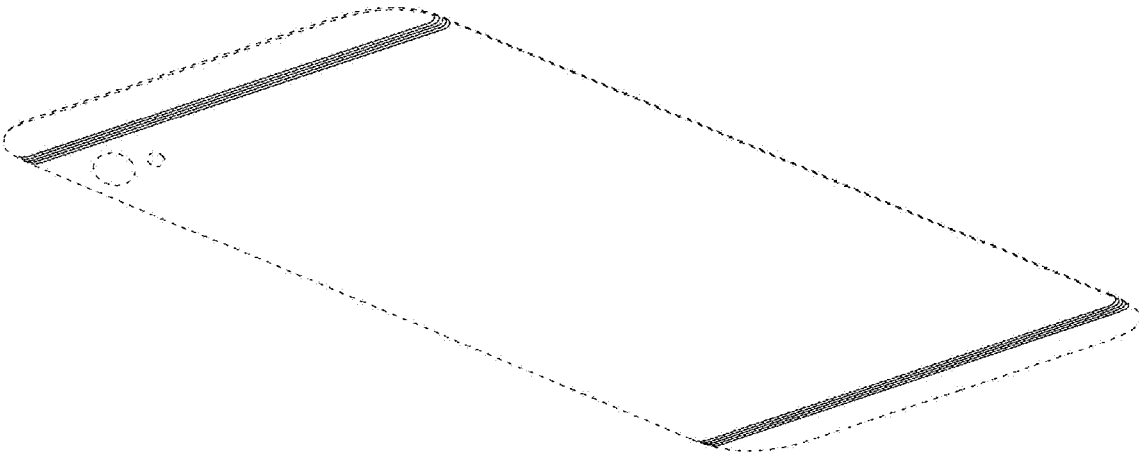


FIG. 8



FIG. 9

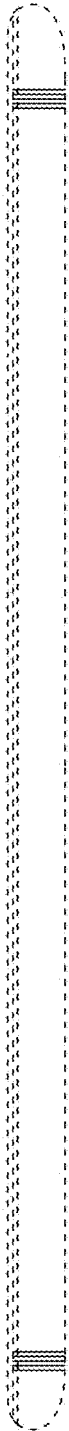


FIG. 10

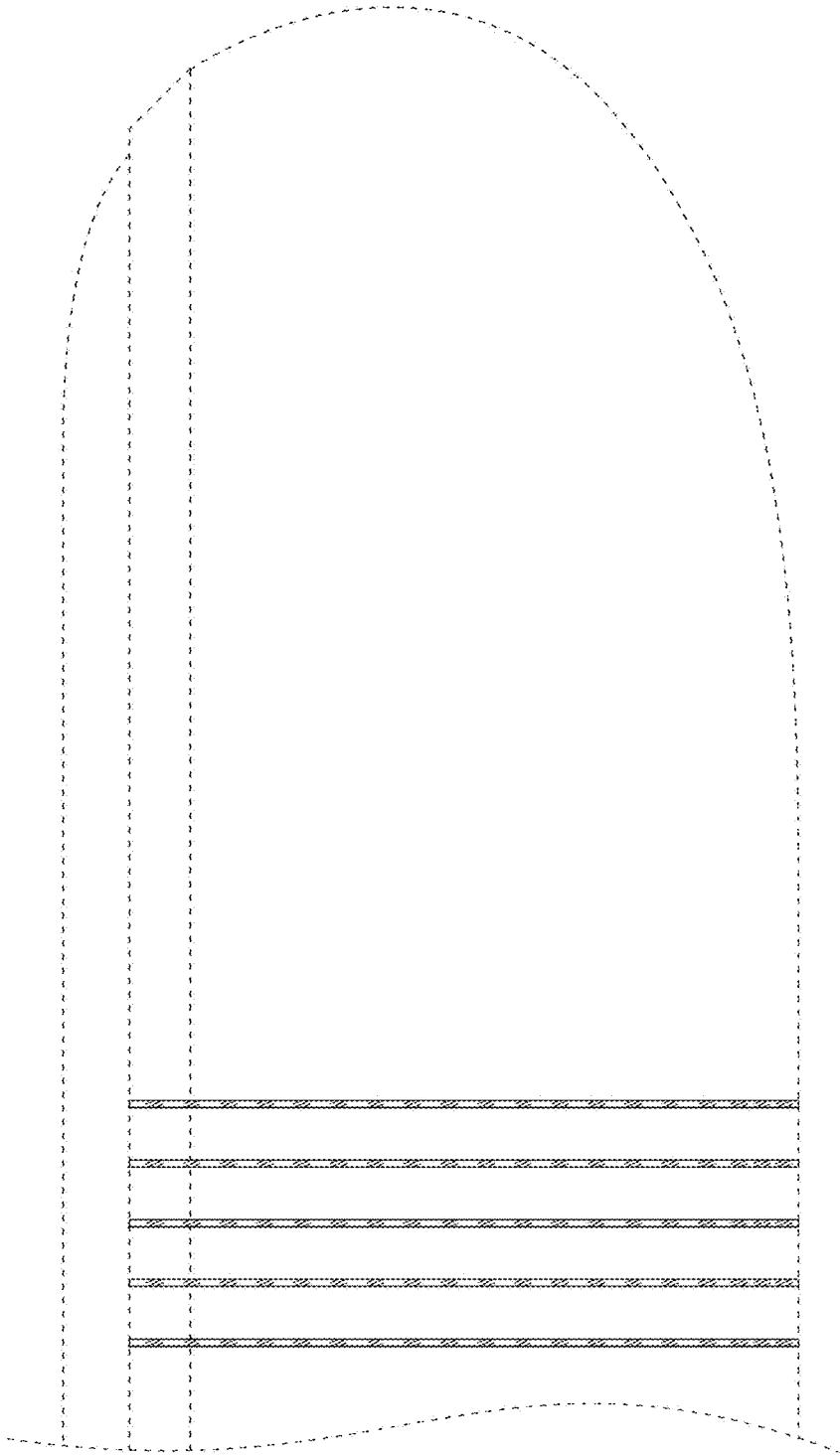


FIG. 11



FIG. 12