



US00D578966S

(12) **United States Design Patent**  
**Grimm**

(10) **Patent No.:** **US D578,966 S**  
(45) **Date of Patent:** **\*\* Oct. 21, 2008**

(54) **ELECTRIC CABLE**

(75) Inventor: **Mathias Grimm**, Altach (AT)

(73) Assignee: **Julius Blum GmbH**, Hochst (AT)

(\*\*) Term: **14 Years**

(21) Appl. No.: **29/290,563**

(22) Filed: **Dec. 18, 2007**

(30) **Foreign Application Priority Data**

Jul. 13, 2007 (EM) ..... 000757281-0003

(51) **LOC (8) Cl.** ..... **13-03**

(52) **U.S. Cl.** ..... **D13/153**

(58) **Field of Classification Search** ..... D13/153;  
174/71 R, 88 R, 95, 117 F, 117 R, 117, 504 A  
See application file for complete search history.

(56) **References Cited**

**U.S. PATENT DOCUMENTS**

2,043,044 A \* 6/1936 Knoderer ..... 174/102 D  
2,729,696 A \* 1/1956 Hull et al. .... 174/117 F  
3,745,230 A \* 7/1973 Kelly ..... 174/103  
4,154,977 A \* 5/1979 Verma ..... 174/117 F

D262,617 S \* 1/1982 Shumate ..... D13/156  
6,288,337 B1 \* 9/2001 Sato et al. .... 174/71 R  
D512,025 S \* 11/2005 Frederick et al. .... D13/153  
D573,101 S \* 7/2008 Ng et al. .... D13/153

\* cited by examiner

*Primary Examiner*—Brian N Vinson

(74) *Attorney, Agent, or Firm*—Wenderoth, Lind & Ponack,  
L.L.P.

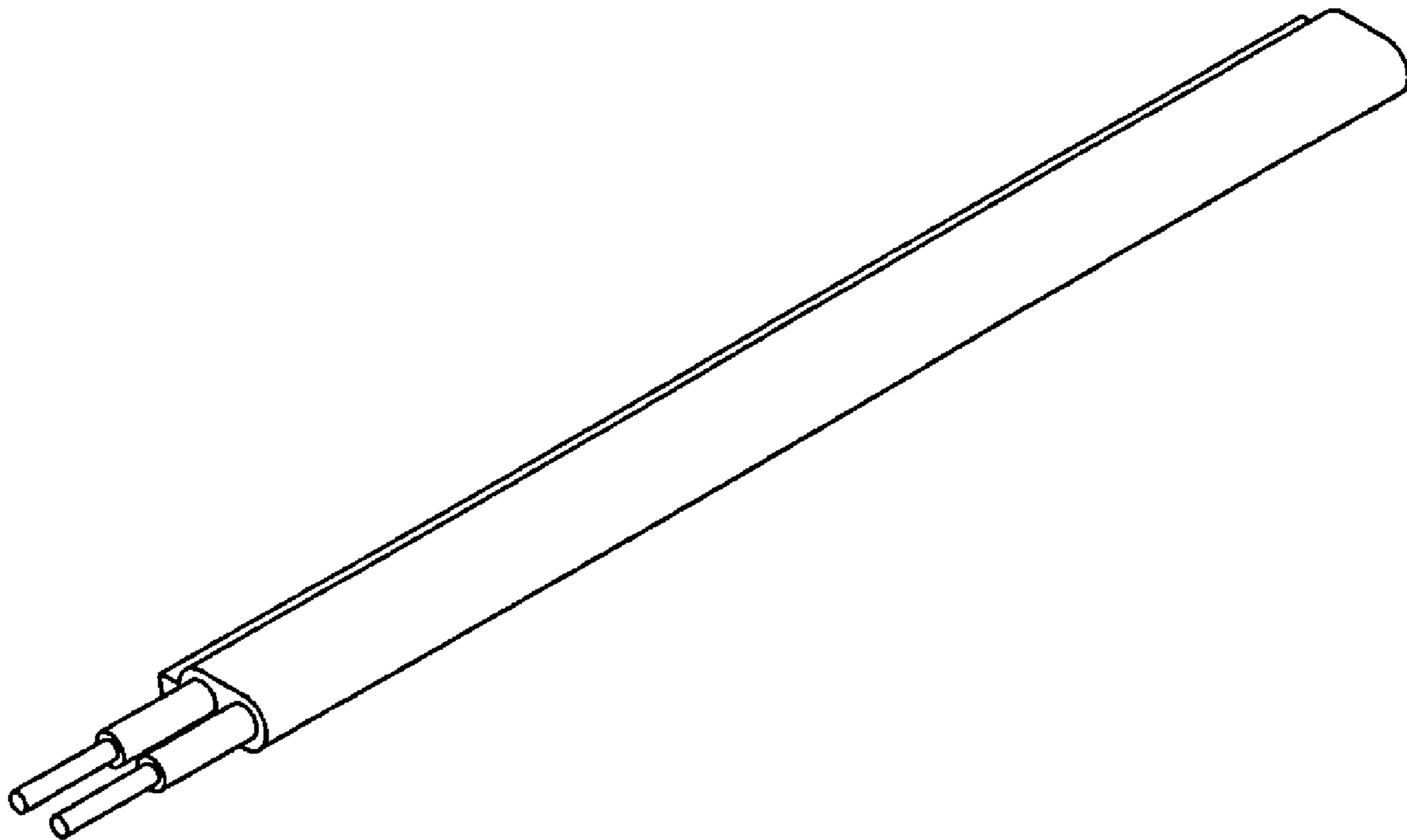
(57) **CLAIM**

The ornamental design for an electric cable, as shown and described.

**DESCRIPTION**

FIG. 1 is a front view of an electric cable;  
FIG. 2 is a top view of the electric cable of FIG. 1;  
FIG. 3 is a bottom view of the electric cable of FIG. 1;  
FIG. 4 is a back side view of the electric cable of FIG. 1;  
FIG. 5 is a perspective view of the electric cable of FIG. 1;  
FIG. 6 is a left side view of the electric cable of FIG. 1; and,  
FIG. 7 is a right side view of the electric cable of FIG. 1.

**1 Claim, 1 Drawing Sheet**



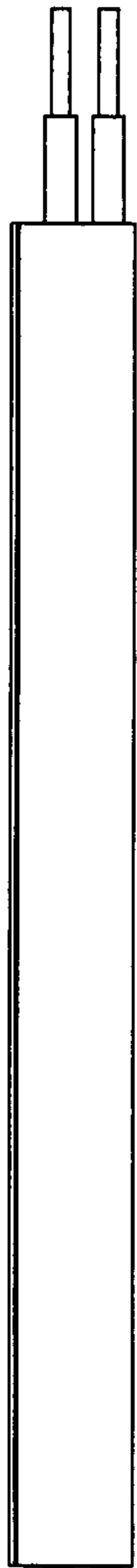


Fig. 1



Fig. 2



Fig. 3

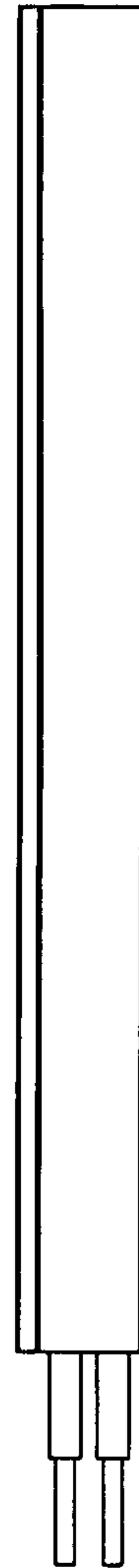


Fig. 4

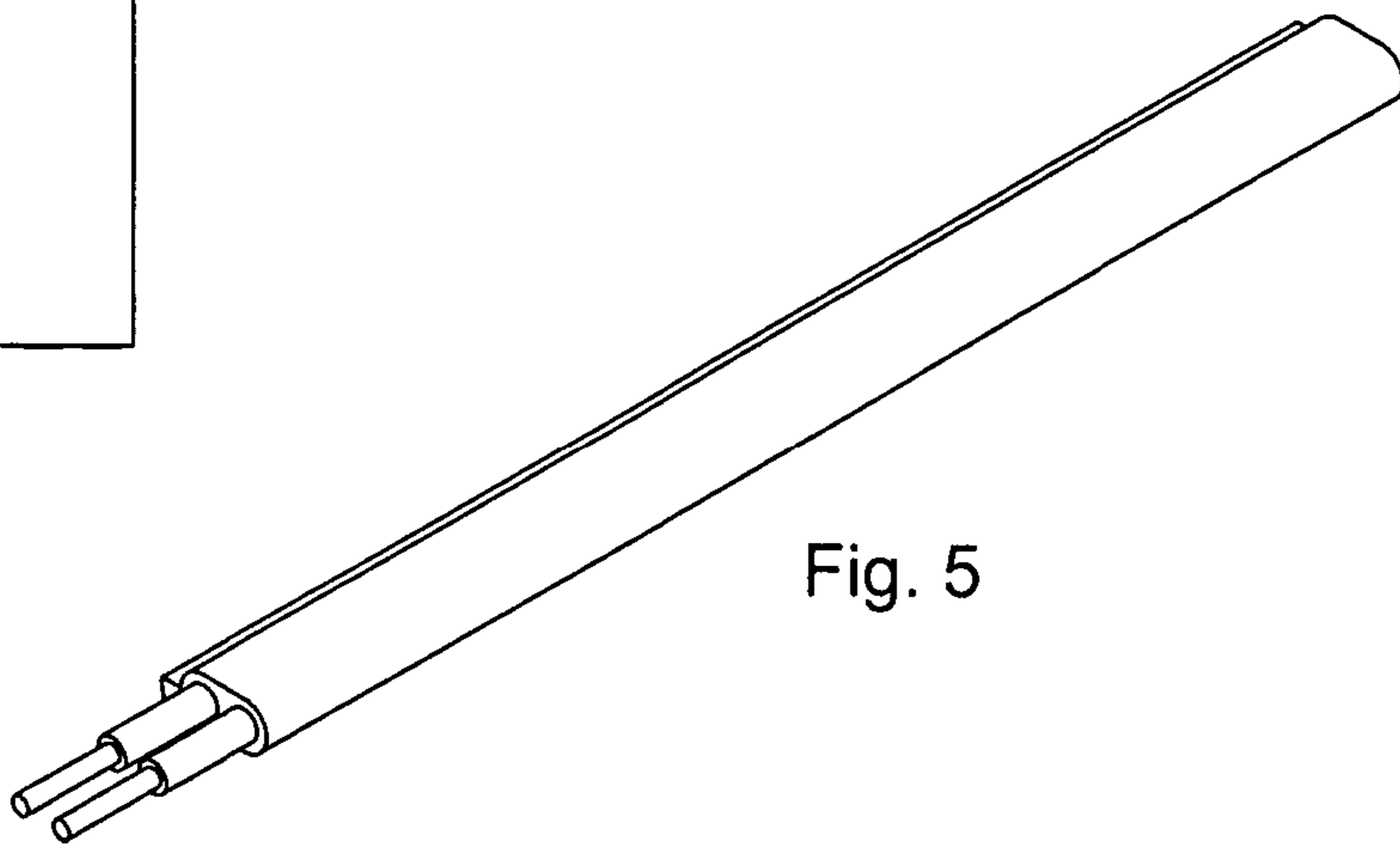


Fig. 5

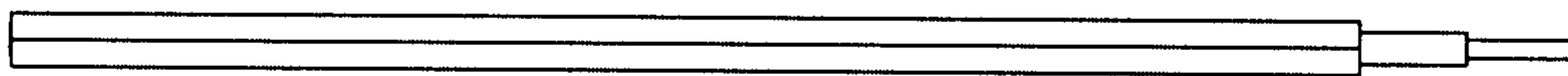


Fig. 6

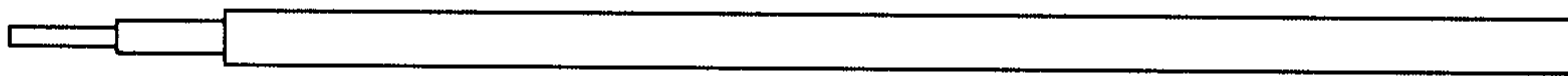


Fig. 7