



US00D881882S

(12) **United States Design Patent**
Shirai et al.

(10) **Patent No.:** **US D881,882 S**

(45) **Date of Patent:** **** Apr. 21, 2020**

(54) **AERIAL IMAGING APPARATUS**

FOREIGN PATENT DOCUMENTS

(71) Applicant: **Sakai Display Products Corporation**,
Sakai-shi, Osaka (JP)

CN 303841265 * 9/2016
CN 305087029 * 3/2019
CN 305285989 * 8/2019

(72) Inventors: **Hideyuki Shirai**, Sakai (JP);
Yoshimasa Saito, Sakai (JP)

Primary Examiner — Marissa J Cash
Assistant Examiner — Altaira J Swangin

(73) Assignee: **SAKAI DISPLAY PRODUCTS CORPORATION**, Osaka (JP)

(74) *Attorney, Agent, or Firm* — Keating & Bennett, LLP

(**) Term: **15 Years**

(57) **CLAIM**

The ornamental design for an aerial imaging apparatus, as shown and described.

(21) Appl. No.: **29/655,549**

DESCRIPTION

(22) Filed: **Jul. 5, 2018**

FIG. 1 is a top front left perspective view of an aerial imaging apparatus showing our new design;

(30) **Foreign Application Priority Data**

FIG. 2 is a front view thereof, opposite rear view being mirror image thereof;

Jan. 18, 2018 (JP) 2018-000827

FIG. 3 is a right side view thereof;

(51) **LOC (12) Cl.** **14-02**

FIG. 4 is a left side view thereof;

(52) **U.S. Cl.**

FIG. 5 is a top view thereof;

USPC **D14/374**

FIG. 6 is a bottom view thereof;

(58) **Field of Classification Search**

FIG. 7 is another top front left perspective view of the aerial imaging apparatus of FIGS. 1-6, showing the design in an alternative configuration with the optical plate in an opened position;

USPC D14/138 AB, 203.4, 315, 345, 348,
D14/356-359, 363, 371, 374-375,
D14/434-436, 440-442, 444, 478, 501;
D9/430-433; 361/679.27-679.31;
D24/158-160; D12/192; D16/229

FIG. 8 is a rear right perspective view of the aerial imaging apparatus of FIGS. 1-6, showing the design in an alternative configuration with the optical plate in an opened position;

CPC H05K 5/00; H05K 5/03; G02F
2001/133607; G02B 27/0179; G02B
27/0101; G02B 27/0149; G02B 2027/014;
(Continued)

FIG. 9 is a front view thereof, with the opposite rear view being a mirror image;

(56) **References Cited**

FIG. 10 is a right side view thereof with the optical plate being opened;

U.S. PATENT DOCUMENTS

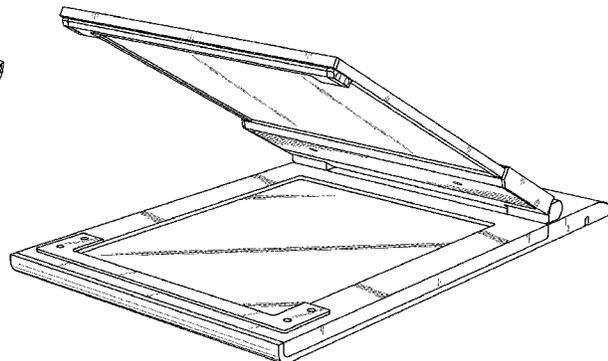
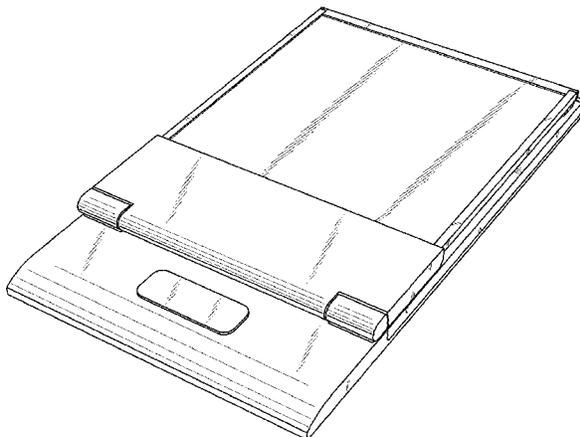
1,142,143 A * 6/1915 Cauger G03B 21/64
40/705
D318,478 S * 7/1991 Wah Lo D16/229
(Continued)

FIG. 11 is a left side view thereof with the optical plate being opened; and,

FIG. 12 is a top view thereof with the optical plate being opened.

In FIGS. 1-12, any broken lines shown in the drawings represent portions of the aerial imaging apparatus and form no part of the claimed design.

1 Claim, 11 Drawing Sheets



US D881,882 S

Page 2

(58) **Field of Classification Search**

CPC G02B 2027/0154; B60C 23/0408; B60C
23/0491

See application file for complete search history.

(56)

References Cited

U.S. PATENT DOCUMENTS

D321,360 S * 11/1991 Cheng D16/229
D326,448 S * 5/1992 Fukuda D14/425
D329,448 S * 9/1992 Lo D16/229
D377,497 S * 1/1997 Ninomiya D14/375
D406,582 S * 3/1999 Rosen D14/132
D483,037 S * 12/2003 Whitehorn D14/375
D489,067 S * 4/2004 Olson D14/375
D505,948 S * 6/2005 Vrachan D14/307
D512,717 S * 12/2005 Taniho D14/425
D544,852 S * 6/2007 Takamori D14/138 AA
D562,320 S * 2/2008 Kim D14/375

D579,983 S * 11/2008 Milne D20/39
D585,065 S * 1/2009 Kuroda D14/425
D622,242 S * 8/2010 Kim D14/138 AB
7,948,744 B2 * 5/2011 Bishop G06F 1/1601
345/209
D697,508 S * 1/2014 Hsu D14/345
8,676,269 B2 * 3/2014 Song H04M 1/022
345/1.1
D712,867 S * 9/2014 Vats D14/138 AB
8,873,225 B2 * 10/2014 Huitema G06F 1/1615
345/168
D859,400 S * 9/2019 Konishi D14/345
D868,072 S * 11/2019 Lei D14/440
D872,077 S * 1/2020 Raken D14/341
2004/0228082 A1 * 11/2004 Tiao H04N 1/00519
361/679.27
2011/0205372 A1 * 8/2011 Miramontes G06F 1/1616
348/207.1

* cited by examiner

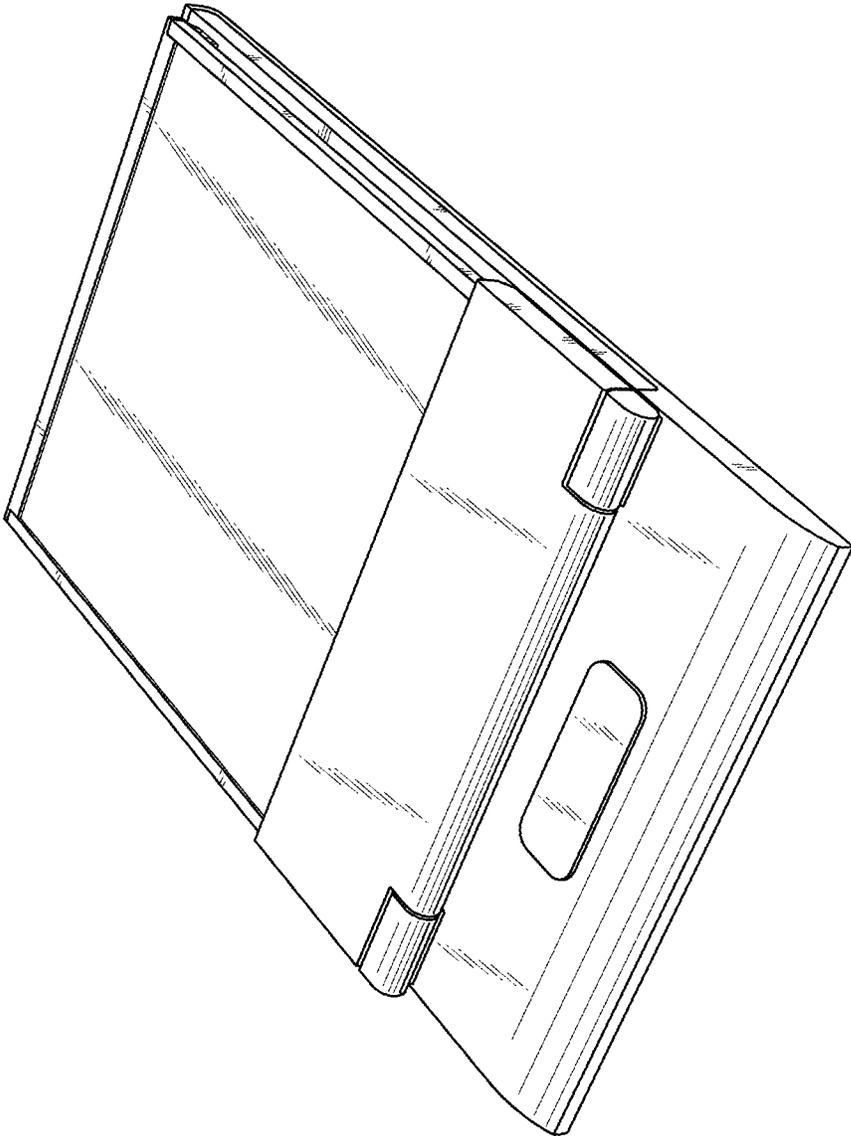


Fig. 1



Fig. 2



Fig. 3



Fig. 4

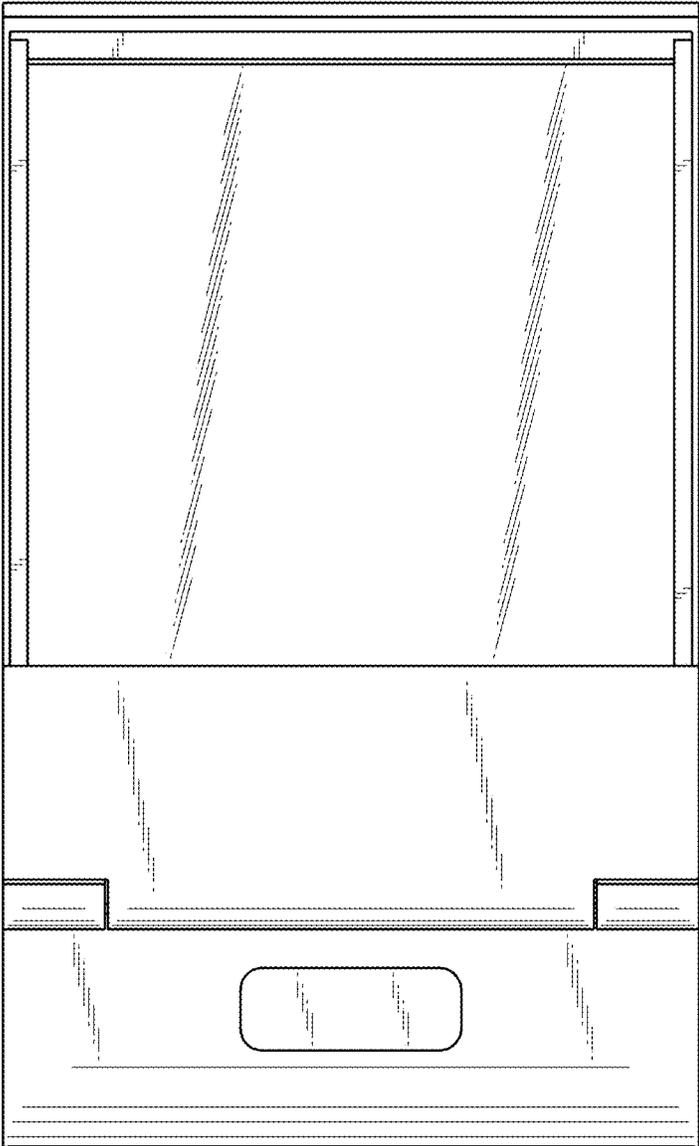


Fig. 5

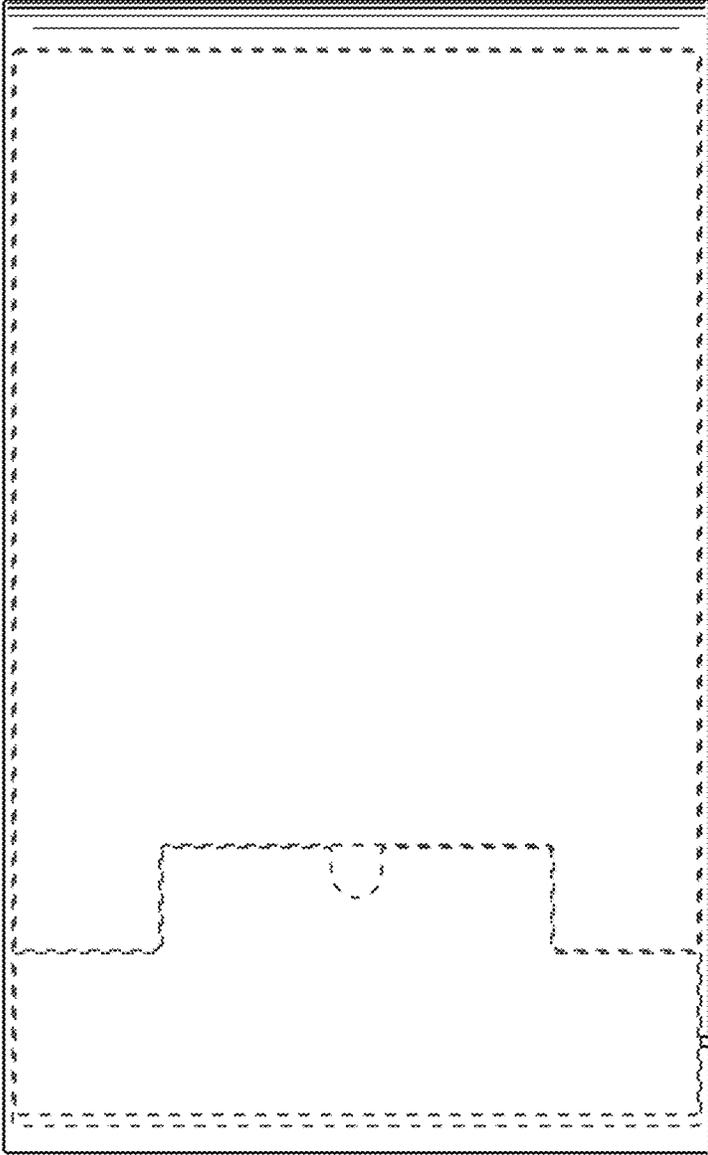


Fig. 6

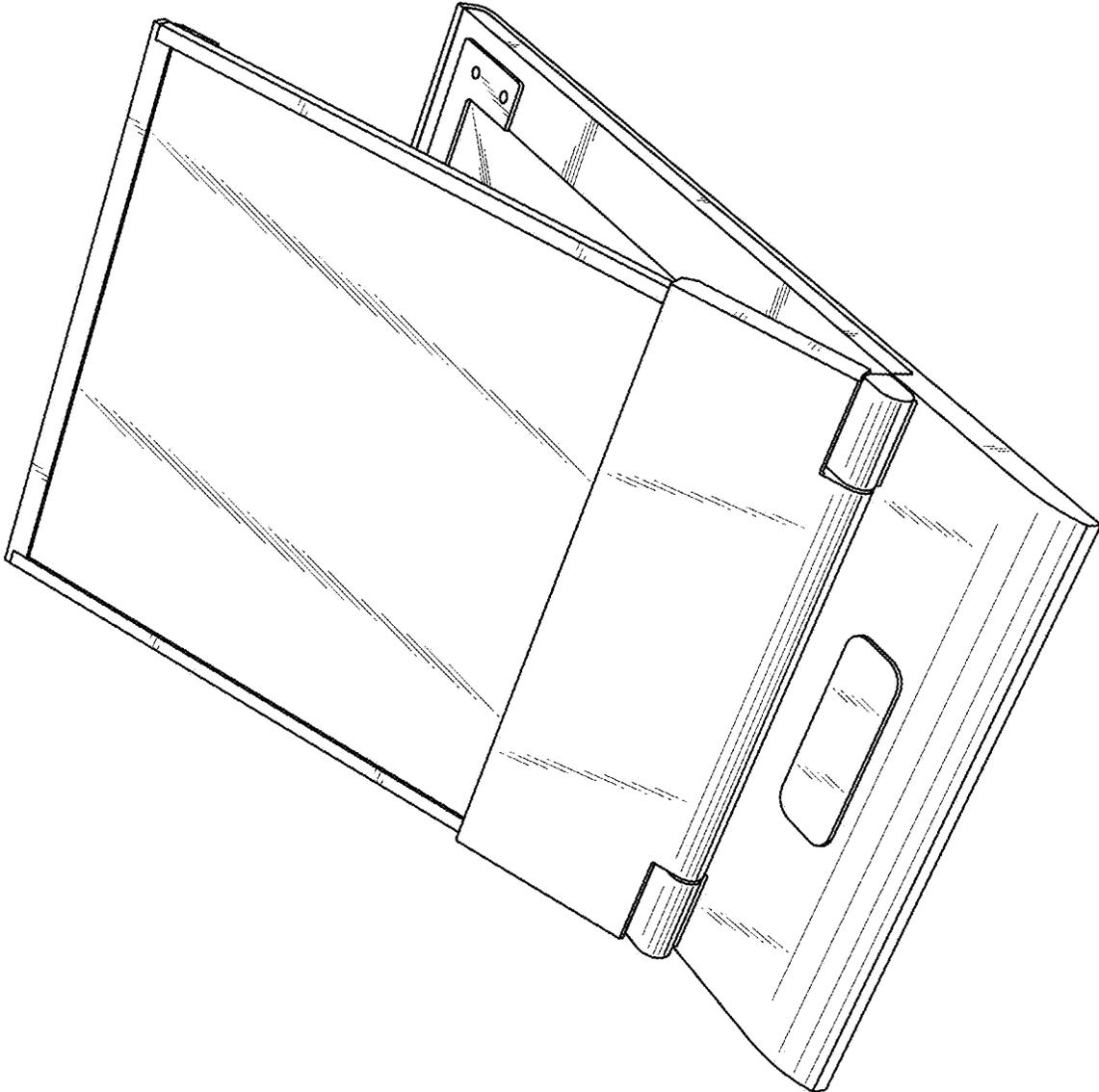


Fig. 7

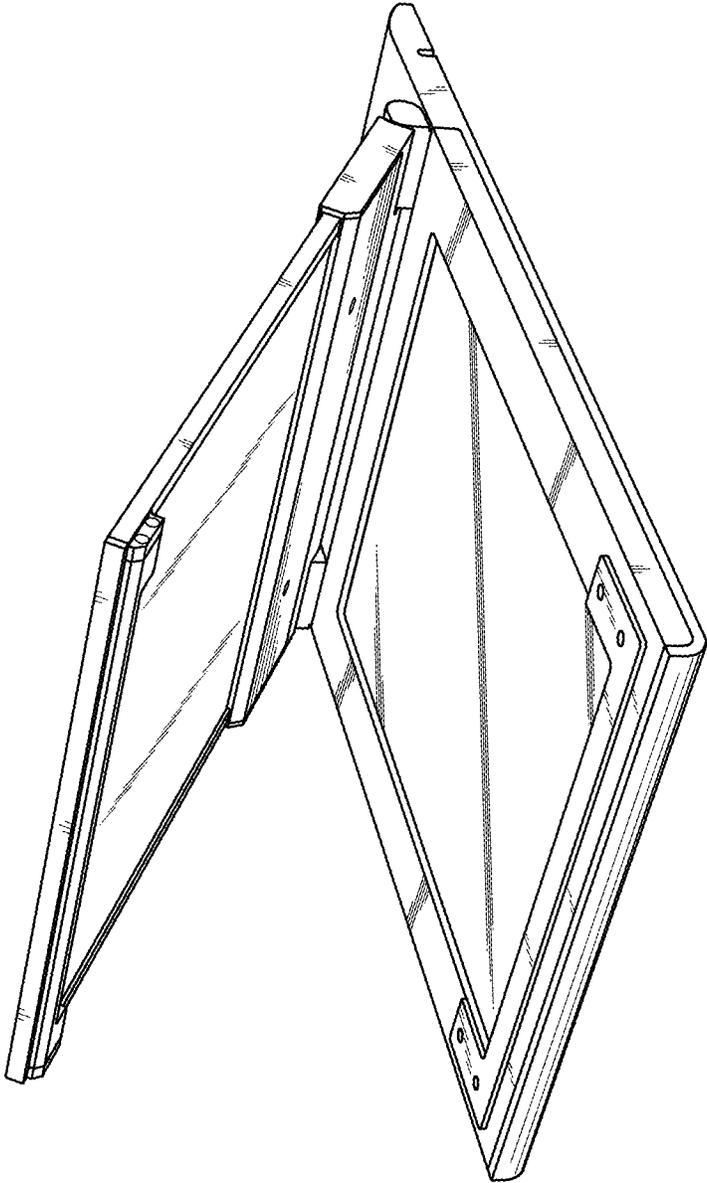


Fig. 8

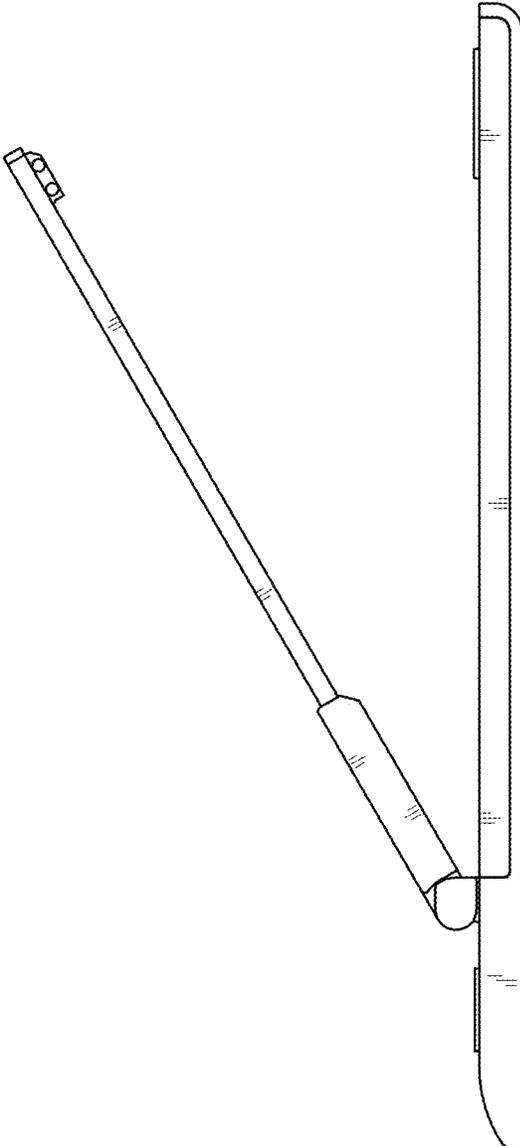


Fig. 9

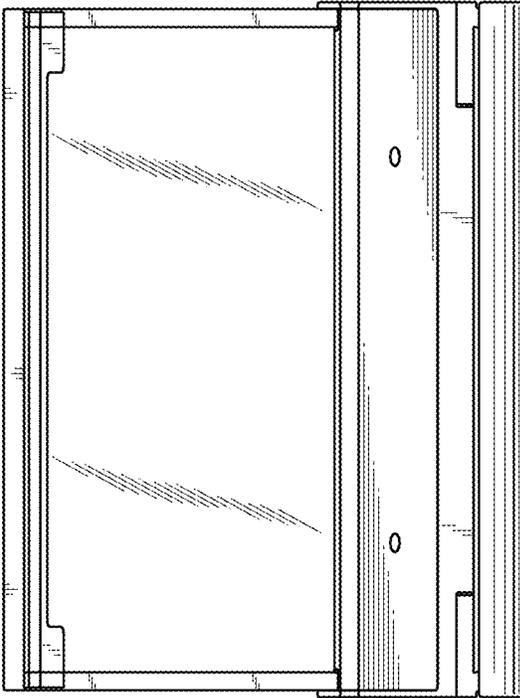


Fig. 10

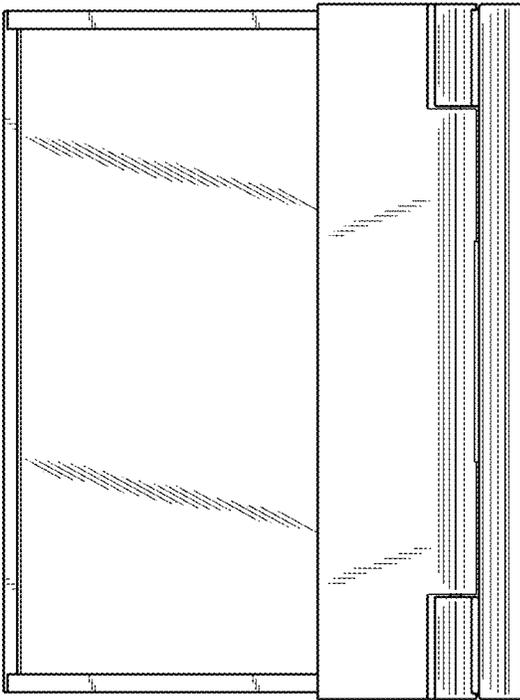


Fig. 11

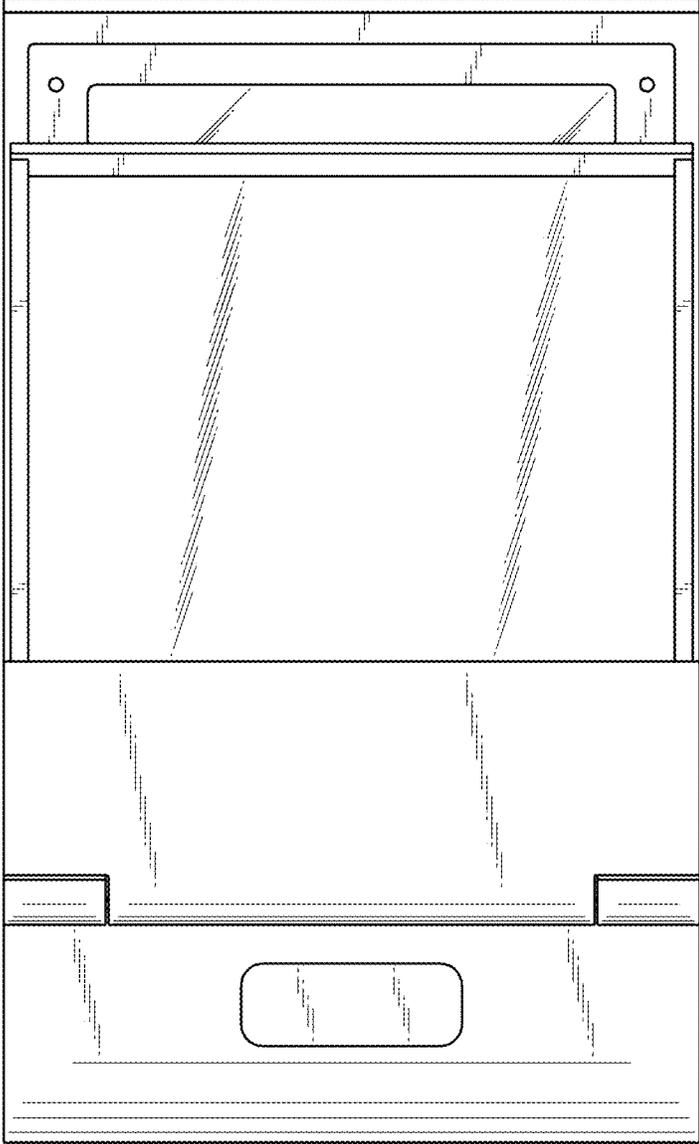


Fig. 12