



US00D759804S

(12) **United States Design Patent**  
**Singh et al.**

(10) **Patent No.:** **US D759,804 S**

(45) **Date of Patent:** **\*\* Jun. 21, 2016**

(54) **RESPIRATORY DEVICE**

(71) Applicant: **KONINKLIJKE PHILIPS N.V.**,  
Eindhoven (NL)

(72) Inventors: **Amit Kumar Singh**, Haryana (IN); **Anil Shivram Raiker**, Goa (IN); **Abhimanyu Kulkarni**, Haryana (IN)

(73) Assignee: **KONINKLIJKE PHILIPS N.V.**,  
Eindhoven (NL)

(\*\*) Term: **14 Years**

(21) Appl. No.: **29/515,042**

(22) Filed: **Jan. 20, 2015**

(30) **Foreign Application Priority Data**

Jul. 22, 2014 (CN) ..... 2014 3 0249887  
Jul. 22, 2014 (EM) ..... 002506576-0001

(51) **LOC (10) Cl.** ..... **24-01**

(52) **U.S. Cl.**  
USPC ..... **D24/108**

(58) **Field of Classification Search**  
USPC ..... D24/107, 108, 110, 111, 164; D15/9  
CPC ..... A61M 11/02; A61M 16/0063; A61M  
16/0057; A61M 16/00; A61M 16/0066;  
A61M 16/16; A61M 15/002; A61M 15/0085;  
A61M 11/005; A61B 5/097  
See application file for complete search history.

(56) **References Cited**

**U.S. PATENT DOCUMENTS**

D421,298 S \* 2/2000 Kenyon ..... D24/110  
D570,473 S \* 6/2008 Hamaguchi ..... D24/110  
7,478,635 B2 \* 1/2009 Wixey ..... A61M 16/16  
128/203.17  
D659,235 S \* 5/2012 Bertinetti ..... D24/110

D683,444 S \* 5/2013 Inoue ..... D24/110  
D683,445 S \* 5/2013 Inoue ..... D24/110  
D696,393 S \* 12/2013 Lu ..... D24/110  
D696,394 S \* 12/2013 Lu ..... D24/110  
D710,989 S \* 8/2014 Bertinetti ..... D24/110  
D732,158 S \* 6/2015 Salmon ..... D24/110  
D734,446 S \* 7/2015 Salmon ..... D24/108  
D740,929 S \* 10/2015 Pipe ..... D24/108  
D740,930 S \* 10/2015 Pipe ..... D24/108  
2007/0169781 A1 \* 7/2007 Tang ..... A61M 16/00  
128/206.21  
2007/0221220 A1 \* 9/2007 Bright ..... A61M 16/0057  
128/204.18  
2010/0229867 A1 \* 9/2010 Bertinetti ..... A61M 16/0051  
128/205.25  
2010/0319687 A1 \* 12/2010 Esaki ..... A61M 11/06  
128/200.23  
2013/0333701 A1 \* 12/2013 Herron ..... A61M 16/0875  
128/203.27  
2015/0197378 A1 \* 7/2015 Miller ..... B65D 43/166  
220/810

\* cited by examiner

*Primary Examiner* — Barbara Fox

*Assistant Examiner* — Lilyana Bekic

(74) *Attorney, Agent, or Firm* — Michael W. Haas

(57) **CLAIM**

The ornamental design for a respiratory device, as shown and described.

**DESCRIPTION**

FIG. 1 is a perspective view of a respiratory device showing our design;

FIG. 2 is a front elevational view thereof;

FIG. 3 is a rear elevational view thereof;

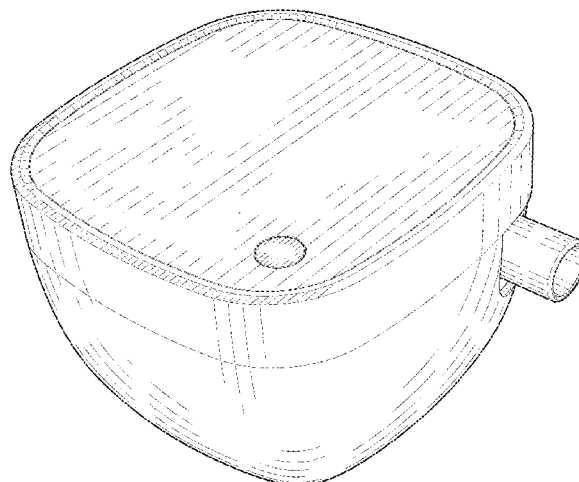
FIG. 4 is a right side elevational view thereof;

FIG. 5 is a left side elevational view thereof;

FIG. 6 is a top plan view thereof; and,

FIG. 7 is a bottom plan view thereof.

**1 Claim, 5 Drawing Sheets**



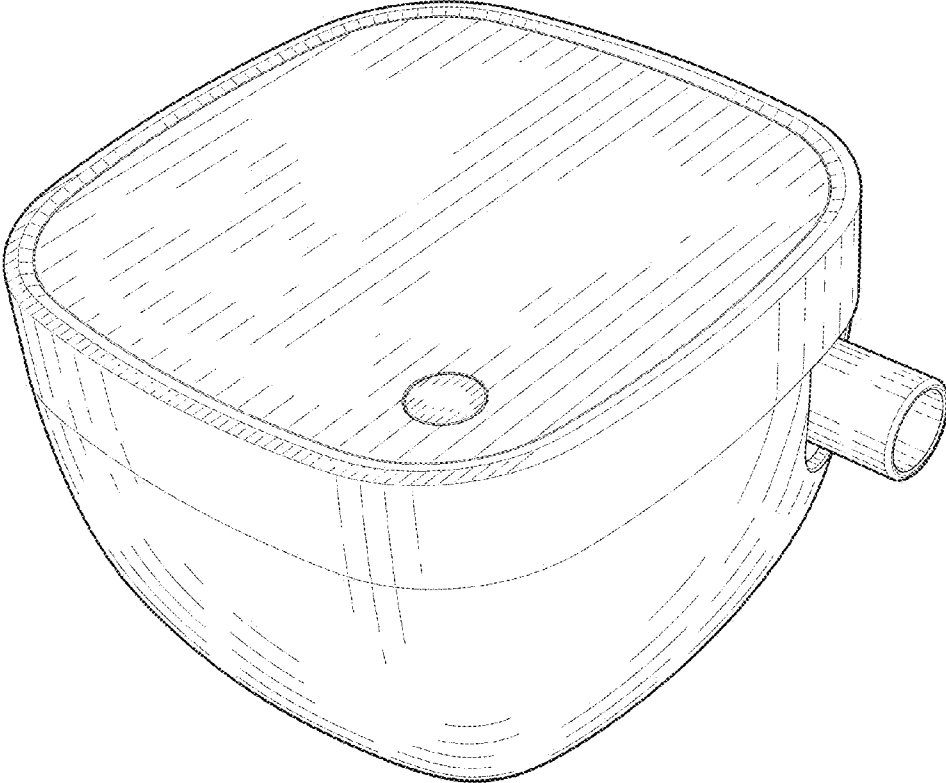


FIG. 1

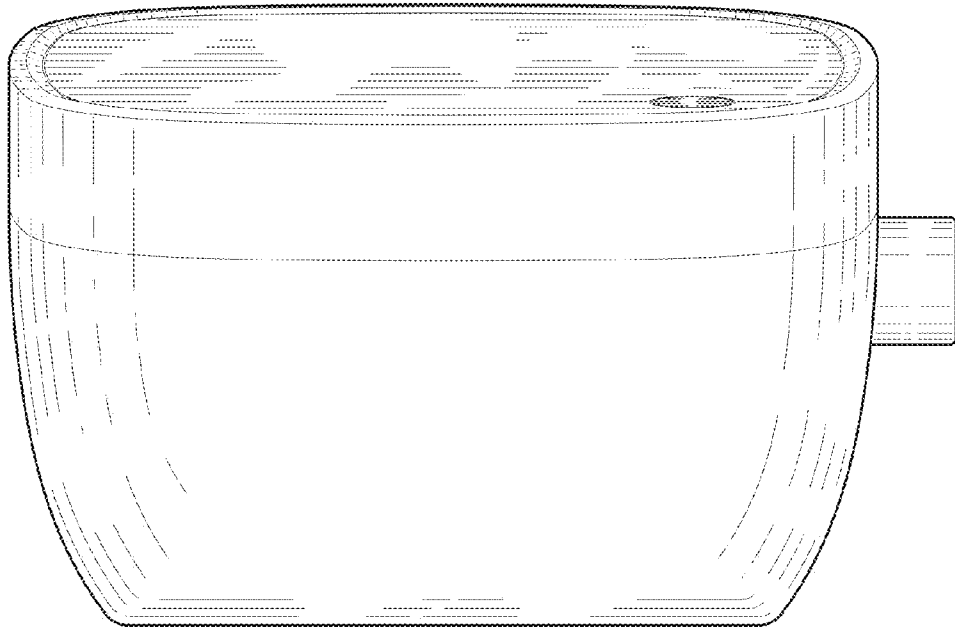


FIG. 2

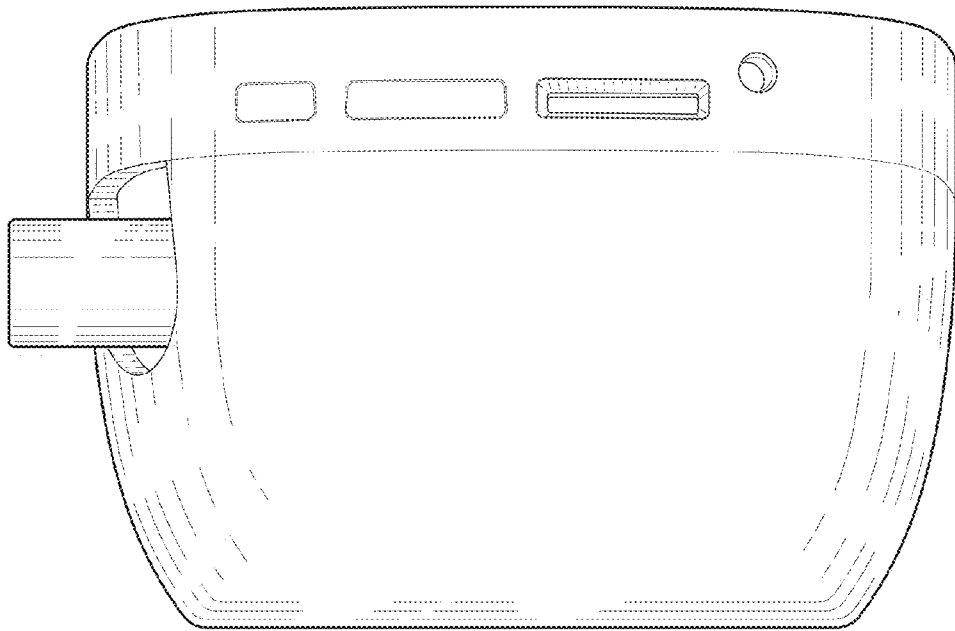


FIG. 3

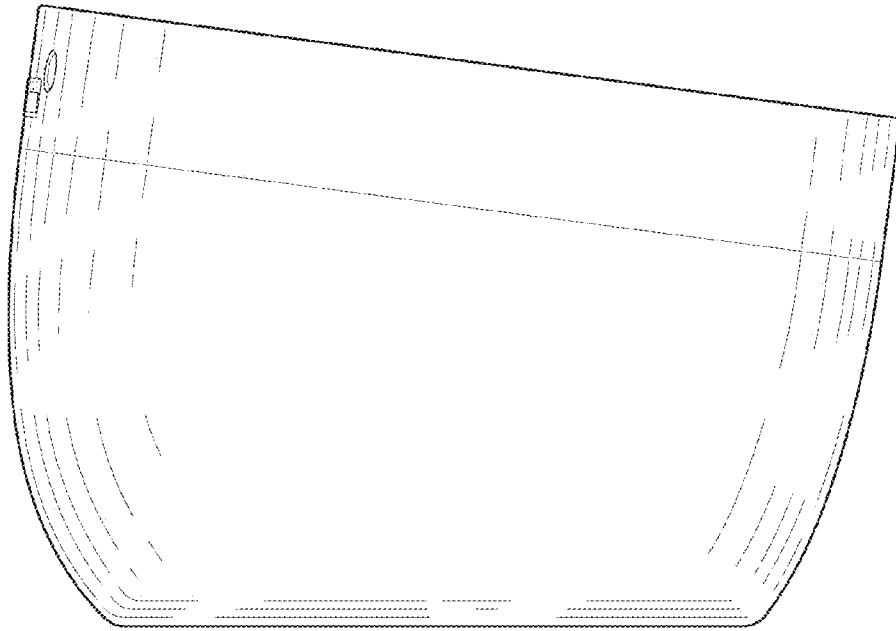


FIG. 4

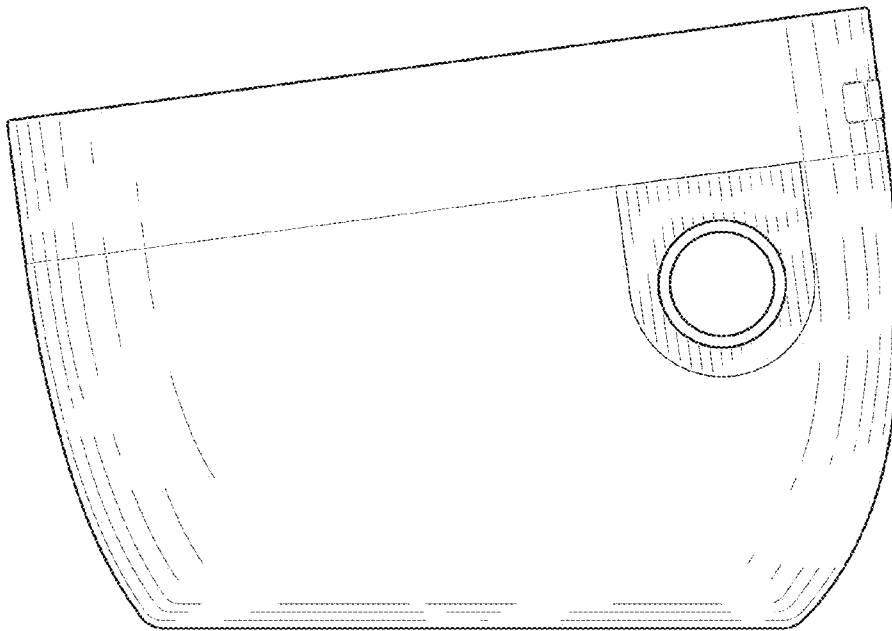


FIG. 5

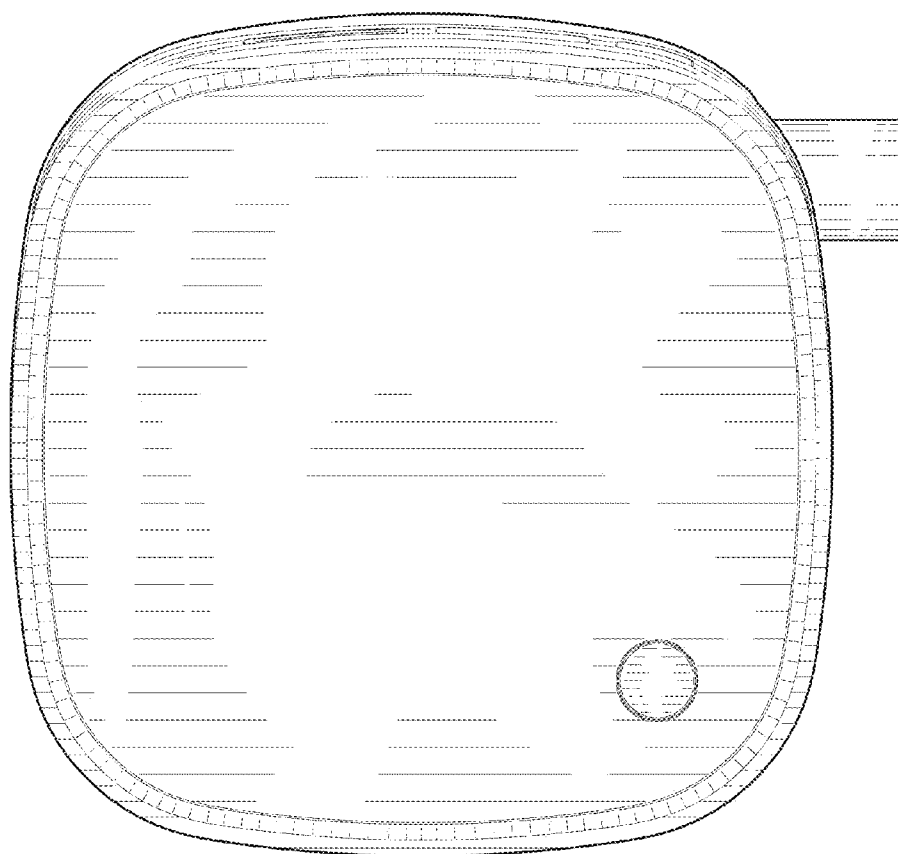


FIG. 6

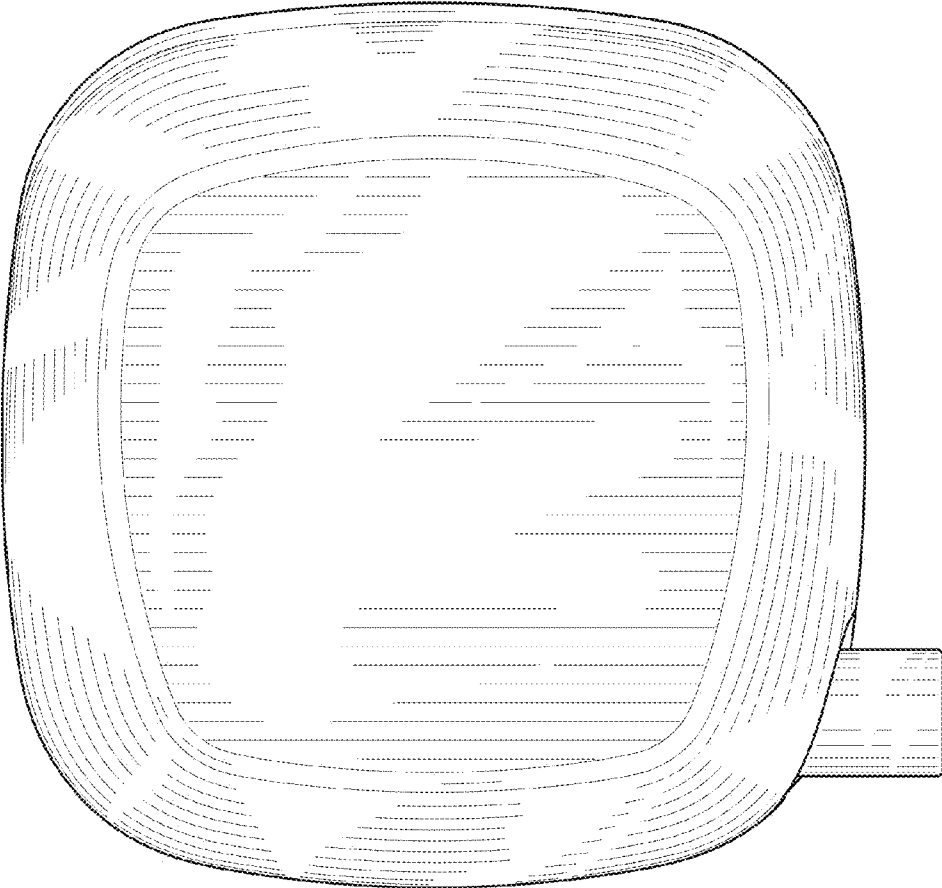


FIG. 7