



US00D970757S

(12) **United States Design Patent**  
**Li**

(10) **Patent No.:** **US D970,757 S**

(45) **Date of Patent:** **\*\* Nov. 22, 2022**

(54) **CANDLE LIGHT**

(71) Applicant: **SHENZHEN BEST TRADING CO., LTD.**, Shenzhen (CN)

(72) Inventor: **Chao Li**, Honghu (CN)

(73) Assignee: **SHENZHEN BEST TRADING CO., LTD.**, Shenzhen (CN)

(\*\*) Term: **15 Years**

(21) Appl. No.: **29/843,772**

(22) Filed: **Jun. 23, 2022**

(51) **LOC (13) Cl.** ..... **26-04**

(52) **U.S. Cl.**  
USPC ..... **D26/6; D26/5; D26/7**

(58) **Field of Classification Search**  
USPC ..... D26/6-16, 20-23; D11/121, 130, 131,  
D11/131.1, 143  
CPC ..... F21V 35/00; F21V 35/003; F21V 35/006;  
F21S 6/001; F21S 10/04; C11C 5/00;  
C11C 5/008

See application file for complete search history.

(56) **References Cited**

**U.S. PATENT DOCUMENTS**

611,397	A *	9/1898	Steinenbohmer	.....	F21V 35/00 431/290
D108,624	S *	3/1938	Kelly	.....	D26/22
D111,634	S *	10/1938	Kostellow	.....	D26/22
D203,621	S *	2/1966	Gross	.....	A01G 5/04 D26/96
3,614,279	A *	10/1971	Schenke	.....	F21V 35/00 431/290
D253,795	S *	12/1979	Hilgeman	.....	F21V 35/00 D26/22
D299,556	S *	1/1989	Marshbanks	.....	D26/96
5,422,803	A *	6/1995	Kilgore	.....	F21V 35/00 248/205.5
D432,258	S *	10/2000	Fussell	.....	D26/96

D590,096	S	4/2009	Romano	.....	D26/6
D590,966	S *	4/2009	Wong	.....	D26/6
7,766,284	B2 *	8/2010	Boschetto	.....	A01G 5/04 D26/9
D645,171	S *	9/2011	Hau	.....	D26/5

(Continued)

**FOREIGN PATENT DOCUMENTS**

CN	302652961	*	11/2013
CN	304007834	*	1/2017

(Continued)

**OTHER PUBLICATIONS**

“Celebrations Led Candle,” Nov. 19, 2010, amazon.com, site visited Sep. 26, 2022, URL: <https://www.amazon.com/Celebrations-Led-Candle-Flickering-Bulb/dp/B00GP7VCKE> (Year: 2010).\*

(Continued)

*Primary Examiner* — Christy Nemeth  
*Assistant Examiner* — Sarah L Smith  
(74) *Attorney, Agent, or Firm* — Daniel M. Cohn;  
Howard M. Cohn

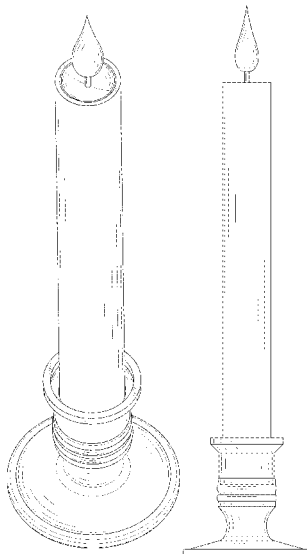
(57) **CLAIM**

The ornamental design for a candle light, as shown and described.

**DESCRIPTION**

FIG. 1 is a perspective view of a candle light showing my new design;  
FIG. 2 is another perspective view thereof;  
FIG. 3 is a front elevational view thereof;  
FIG. 4 is a rear elevational view thereof;  
FIG. 5 is a left side elevational view thereof;  
FIG. 6 is a right side elevational view thereof;  
FIG. 7 is a top plan view thereof; and,  
FIG. 8 is a bottom plan view thereof.

**1 Claim, 8 Drawing Sheets**



(56)

**References Cited**

## U.S. PATENT DOCUMENTS

D701,994 S \* 4/2014 Schuyler ..... F21V 35/00  
 D26/142  
 D748,298 S \* 1/2016 Li ..... D26/96  
 D757,335 S \* 5/2016 Li ..... D26/96  
 D775,759 S \* 1/2017 Clarke ..... D26/96  
 D793,614 S \* 8/2017 Patton ..... D26/96  
 D841,225 S 2/2019 Liu et al.  
 D851,812 S \* 6/2019 Clarke ..... D26/96  
 D886,359 S \* 6/2020 Zhang ..... H01R 33/06  
 D26/96  
 2003/0026087 A1\* 2/2003 Gesue ..... H01R 33/06  
 362/95  
 2012/0328998 A1\* 12/2012 Stanzione ..... F21V 21/02  
 29/428

## FOREIGN PATENT DOCUMENTS

CN 108180437 A \* 6/2018 ..... F21S 10/04  
 CN 307195948 \* 3/2022  
 KR 2008001969 U \* 6/2008  
 KR 20080001969 U \* 6/2008 ..... F21S 10/04

## OTHER PUBLICATIONS

“Julie Ann Home Electric Candle Lamp,” Nov. 20, 2020, amazon.com, site visited Sep. 26, 2022, URL: <https://www.amazon.com/Electric-Candlesticks-Colonial-Welcome-Holidays/dp/B08NXXXT6X?th=1> (Year: 2020).\*

“Gdgsd Led Candles,” Feb. 2, 2021, amazon.com, site visited Sep. 26, 2022, URL: <https://www.amazon.com/gdgsd-Candles-Without-Flickering-Including/dp/B08VMYR5MD> (Year: 2021).\*

\* cited by examiner

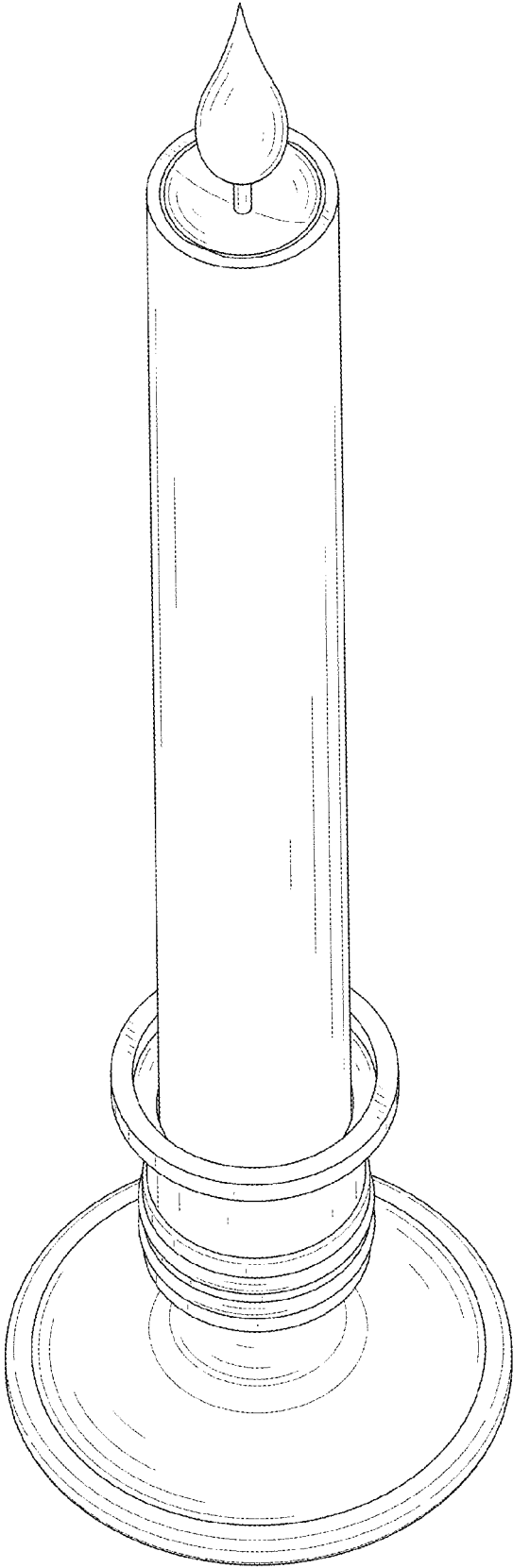


FIG. 1

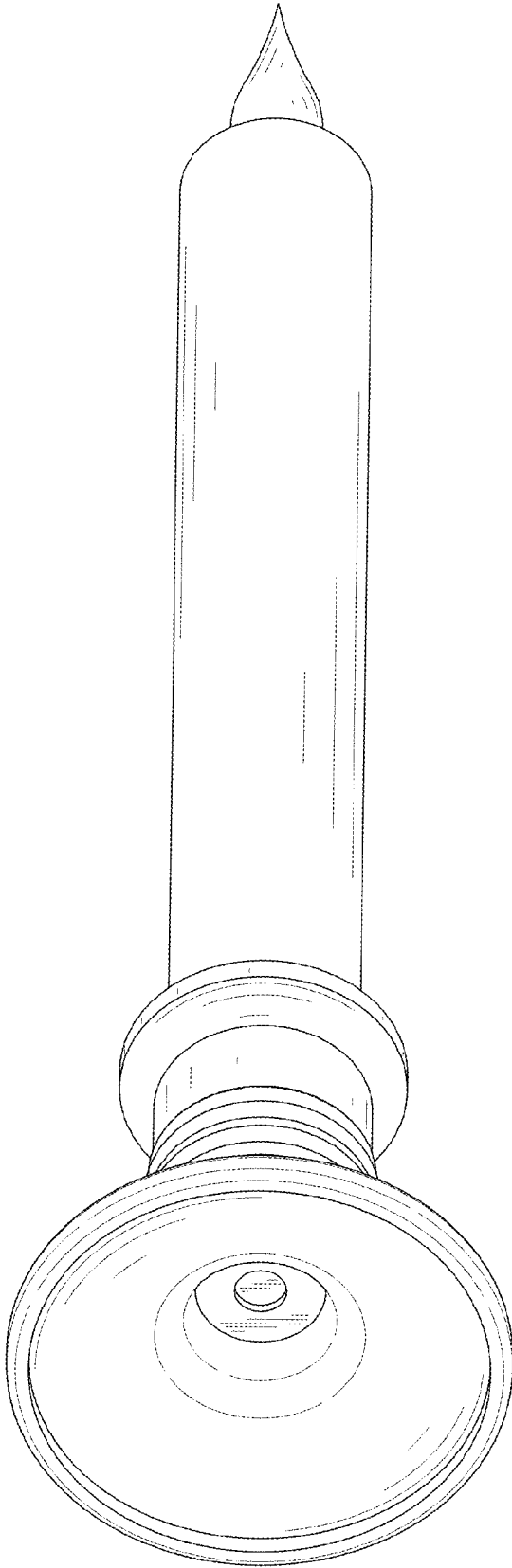


FIG. 2

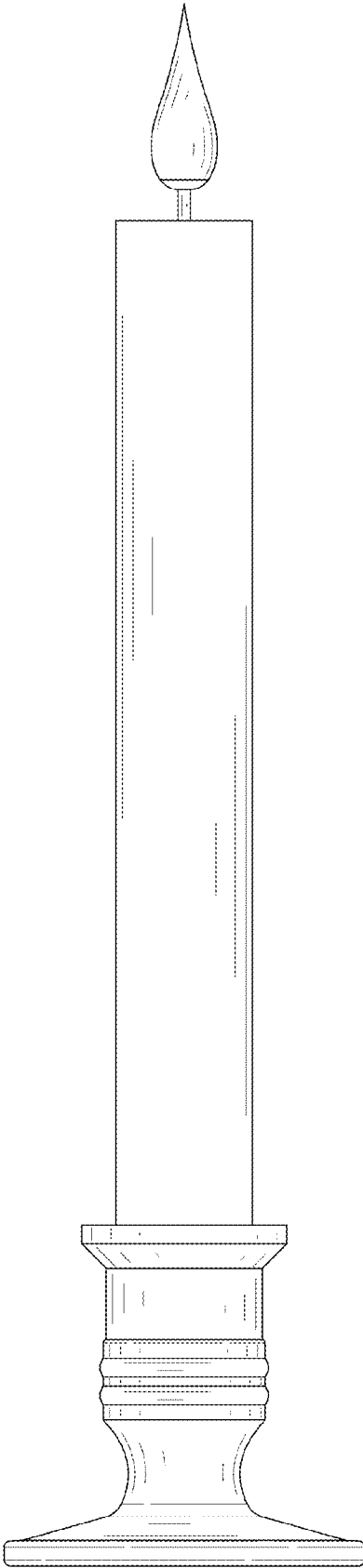


FIG. 3

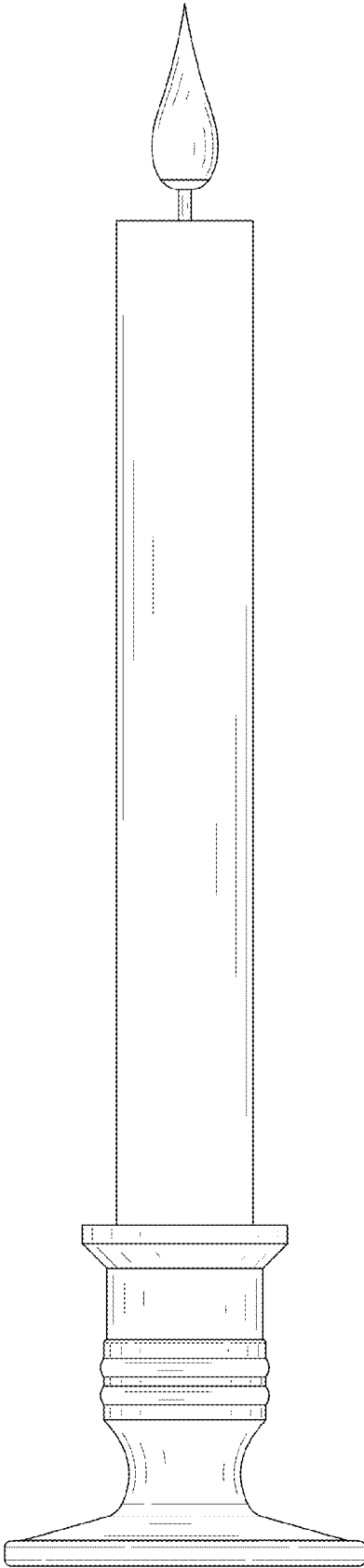


FIG. 4

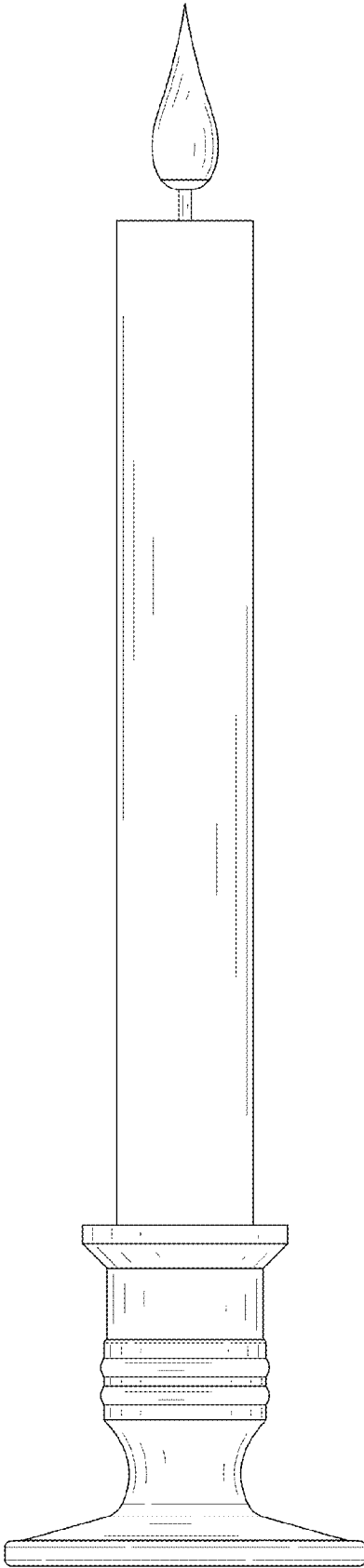


FIG. 5

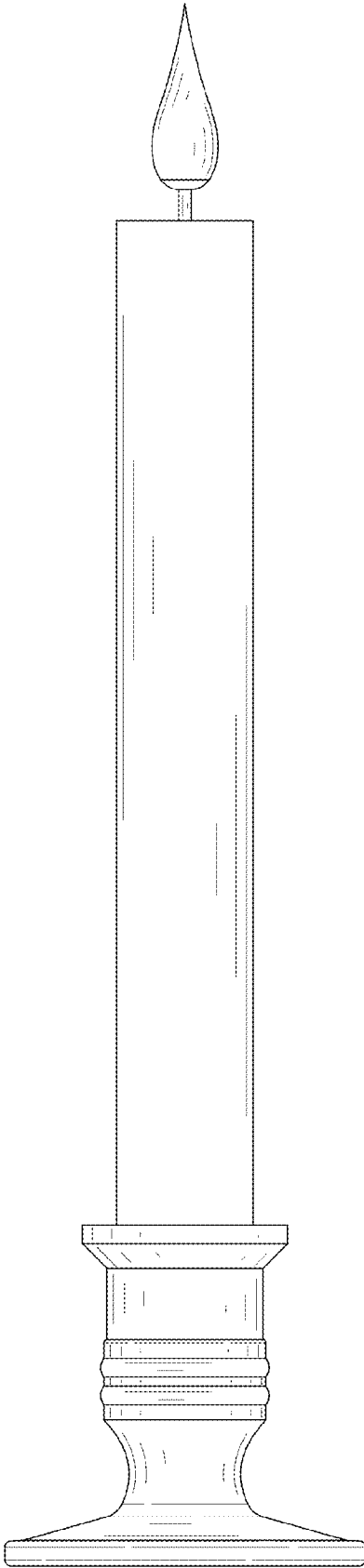


FIG. 6



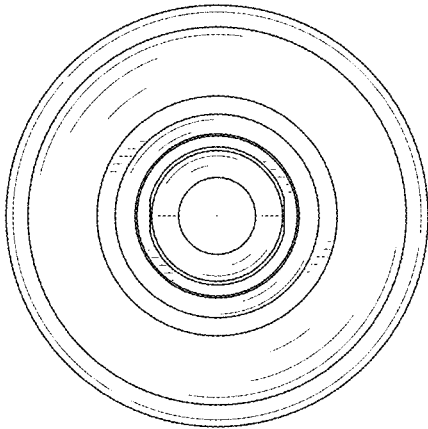


FIG. 7

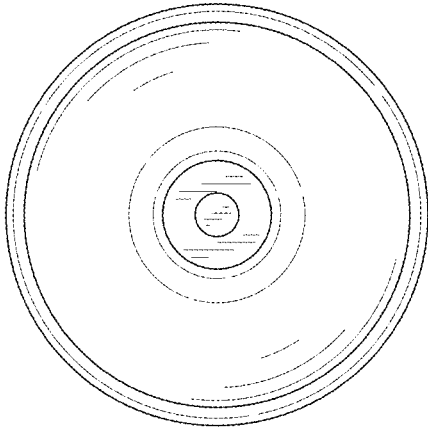


FIG. 8