



US00D683180S

(12) **United States Design Patent**
Carlson

(10) **Patent No.:** **US D683,180 S**

(45) **Date of Patent:** **** May 28, 2013**

(54) **FOOD PROCESSOR**

(71) Applicant: **Hamilton Beach Brands, Inc.**, Glen Allen, VA (US)

(72) Inventor: **Drew Carlson**, Henrico, VA (US)

(73) Assignee: **Hamilton Beach Brands, Inc.**, Glen Allen, VA (US)

(**) Term: **14 Years**

(21) Appl. No.: **29/439,146**

(22) Filed: **Dec. 7, 2012**

(51) **LOC (9) Cl.** **31-00**

(52) **U.S. Cl.**
USPC **D7/384; D7/376; D7/378**

(58) **Field of Classification Search**
USPC D7/301-313, 316-319, 356-357, D7/368, 372-386, 391-398, 412-415, 503, D7/515, 665, 679, 691-693; 99/326, 348, 99/492-495, 508-512; 241/30-37.5, 91, 241/101.01-101.2, 166-169.1, 172, 272, 241/285.1-285.3, 291, 292.1; 366/64-67, 366/98, 129, 142-144, 192-211, 241-254, 366/262, 279-292, 325.8, 325.92, 341-347; 416/75-77, 70 R, 163

See application file for complete search history.

(56) **References Cited**

U.S. PATENT DOCUMENTS

4,396,159	A	8/1983	Podell	
4,691,870	A	9/1987	Fukunaga et al.	
D293,071	S	12/1987	Kim	
D445,299	S *	7/2001	Spagnolo et al.	D7/384
6,474,578	B1	11/2002	Gonneaud et al.	
6,510,784	B1	1/2003	Fevre et al.	
6,513,966	B1	2/2003	Gort-Barten et al.	
6,540,394	B2	4/2003	Juriga	
6,568,843	B1	5/2003	Lai	
6,637,681	B1	10/2003	Planca et al.	

D502,842	S *	3/2005	Hallar	D7/384
6,907,819	B2	6/2005	Kernan	
6,986,475	B2	1/2006	Wanat	
7,063,283	B2	6/2006	Wanat	
7,069,839	B2	7/2006	Kernan	
7,229,036	B2 *	6/2007	Carnevale et al.	241/36
D547,601	S *	7/2007	Ting et al.	D7/384
D578,341	S *	10/2008	Picozza et al.	D7/384
D587,064	S *	2/2009	Mark	D7/384
7,600,706	B2	10/2009	Huang	
7,686,240	B2 *	3/2010	Pryor et al.	241/36
D625,144	S *	10/2010	Moore et al.	D7/384
7,841,764	B2	11/2010	Wulf et al.	
D644,478	S *	9/2011	Czach	D7/372
D650,229	S *	12/2011	Hensel et al.	D7/412
D667,683	S *	9/2012	Czach et al.	D7/384
8,262,005	B2 *	9/2012	Garcia	241/37.5
D670,531	S *	11/2012	Carlson	D7/384
2004/0042337	A1	3/2004	Yiu et al.	

* cited by examiner

FOREIGN PATENT DOCUMENTS

WO 2005011454 10/2005

Primary Examiner — Ricky Pham

(74) *Attorney, Agent, or Firm* — Alexander D. Raring

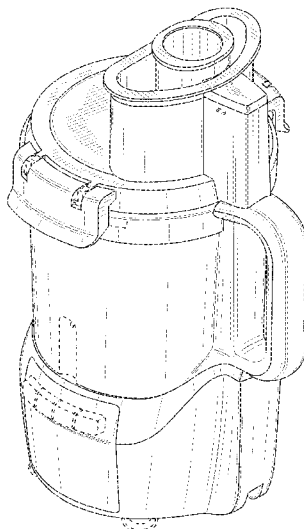
(57) **CLAIM**

The ornamental design for a food processor, as shown and described.

DESCRIPTION

FIG. 1 is a perspective view as seen from the top, front and right side of a food processor showing the new design; FIG. 2 is a front view thereof; FIG. 3 is a rear view thereof; FIG. 4 is a right side view thereof; FIG. 5 is a left side view thereof; FIG. 6 is a top view thereof; and, FIG. 7 is a bottom view thereof. The broken lines in the drawings are included for illustrative purposes only and form no part of the claimed design.

1 Claim, 7 Drawing Sheets



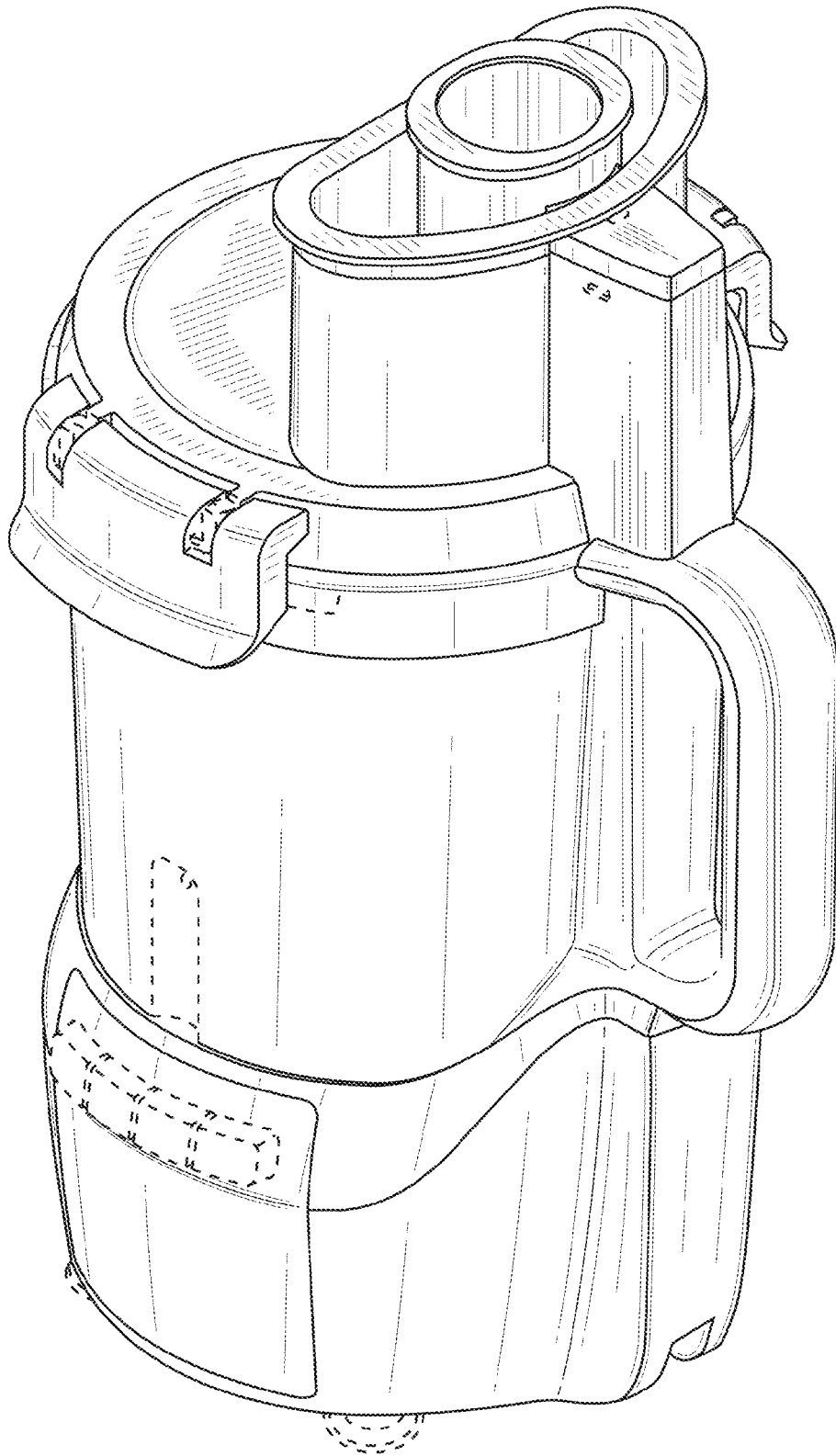


FIG. 1

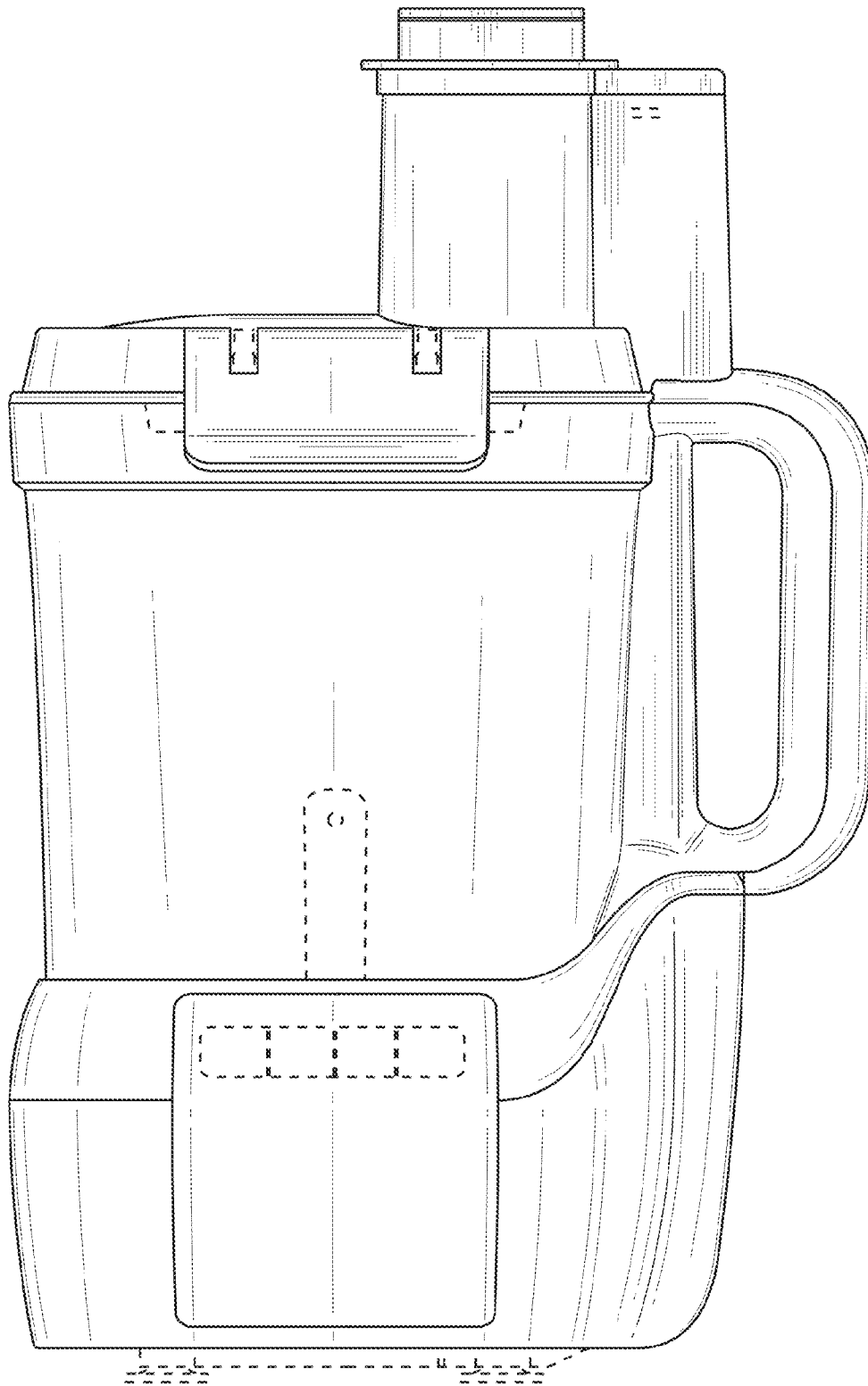


FIG. 2

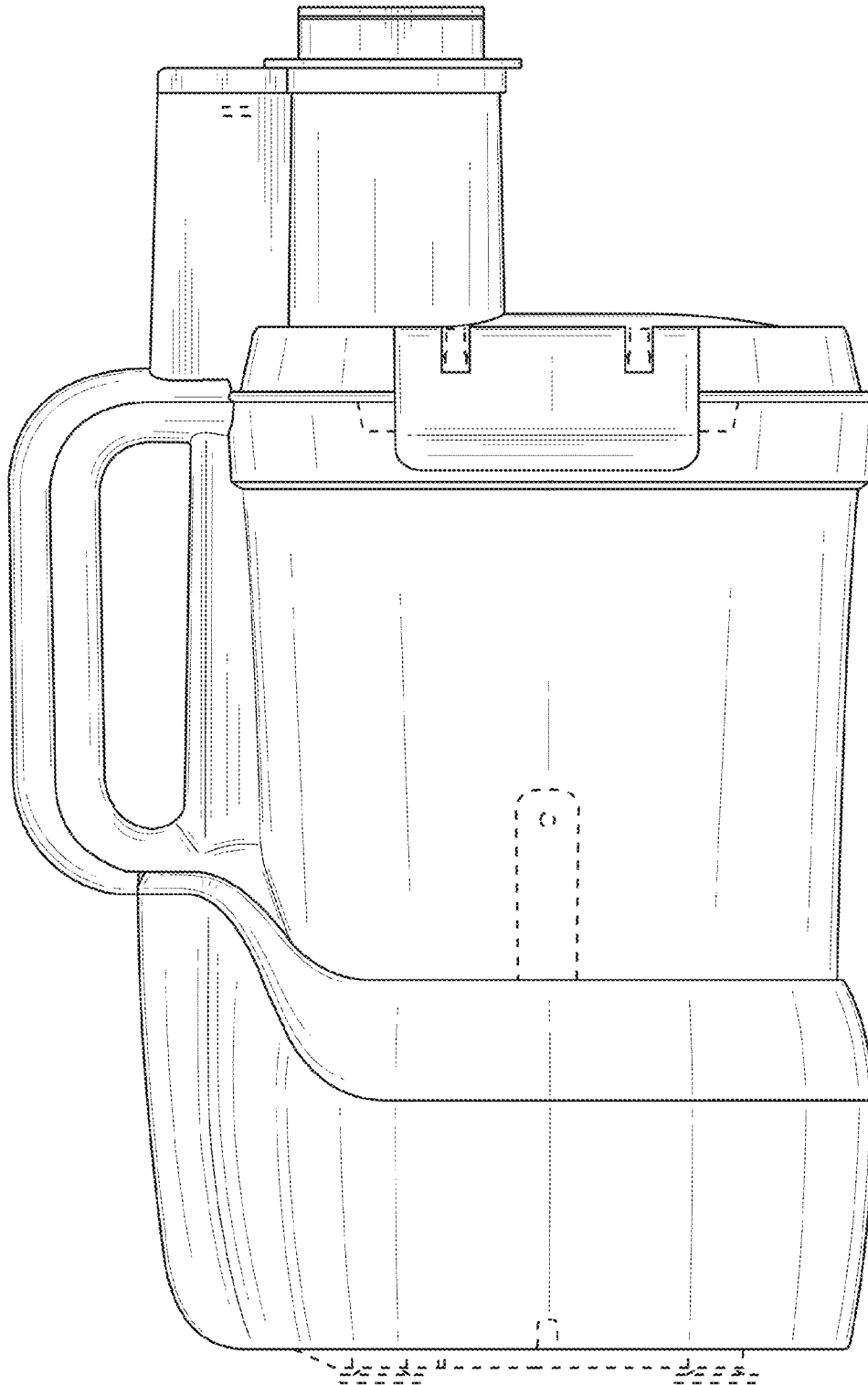


FIG. 3

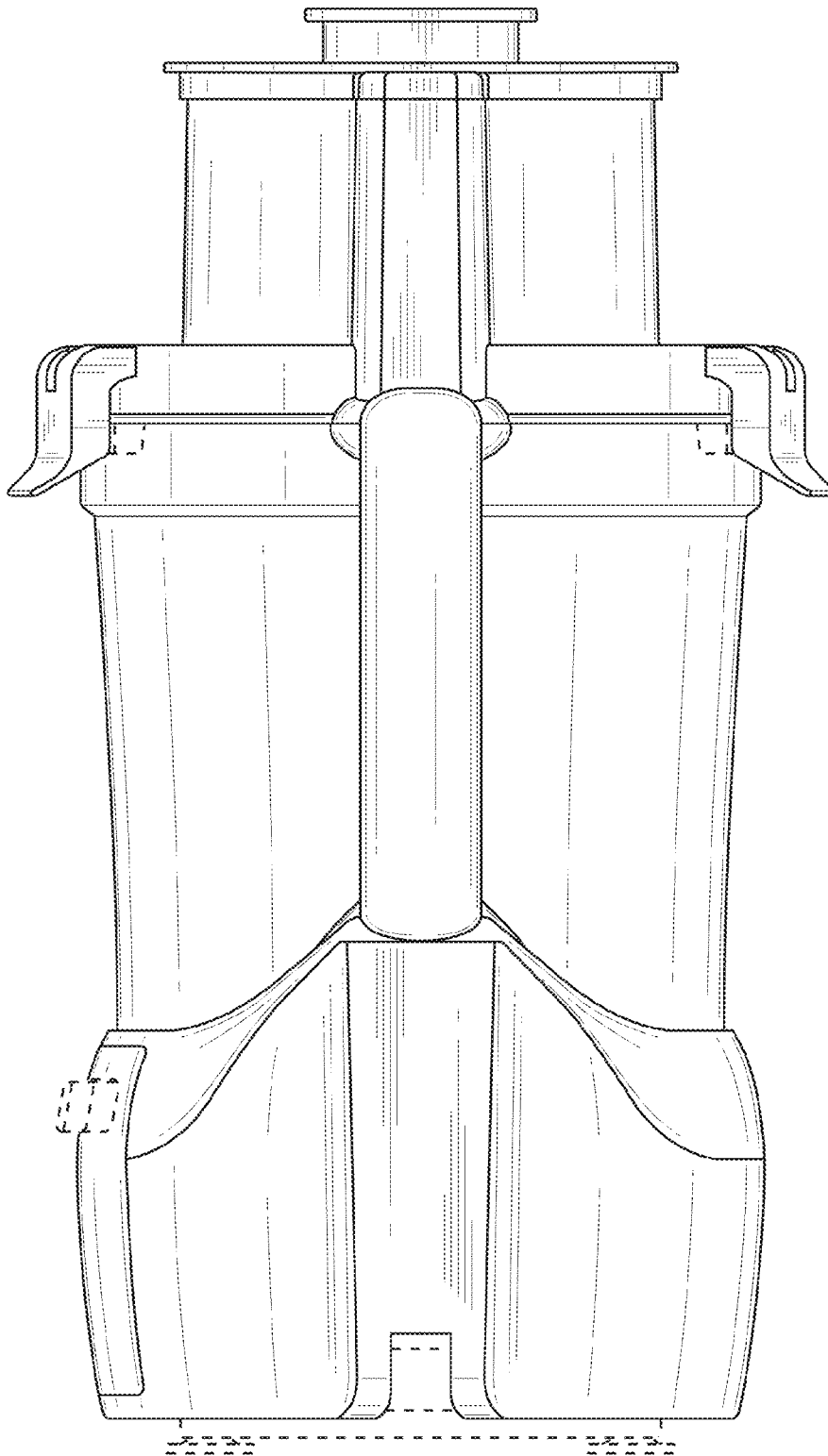


FIG. 4

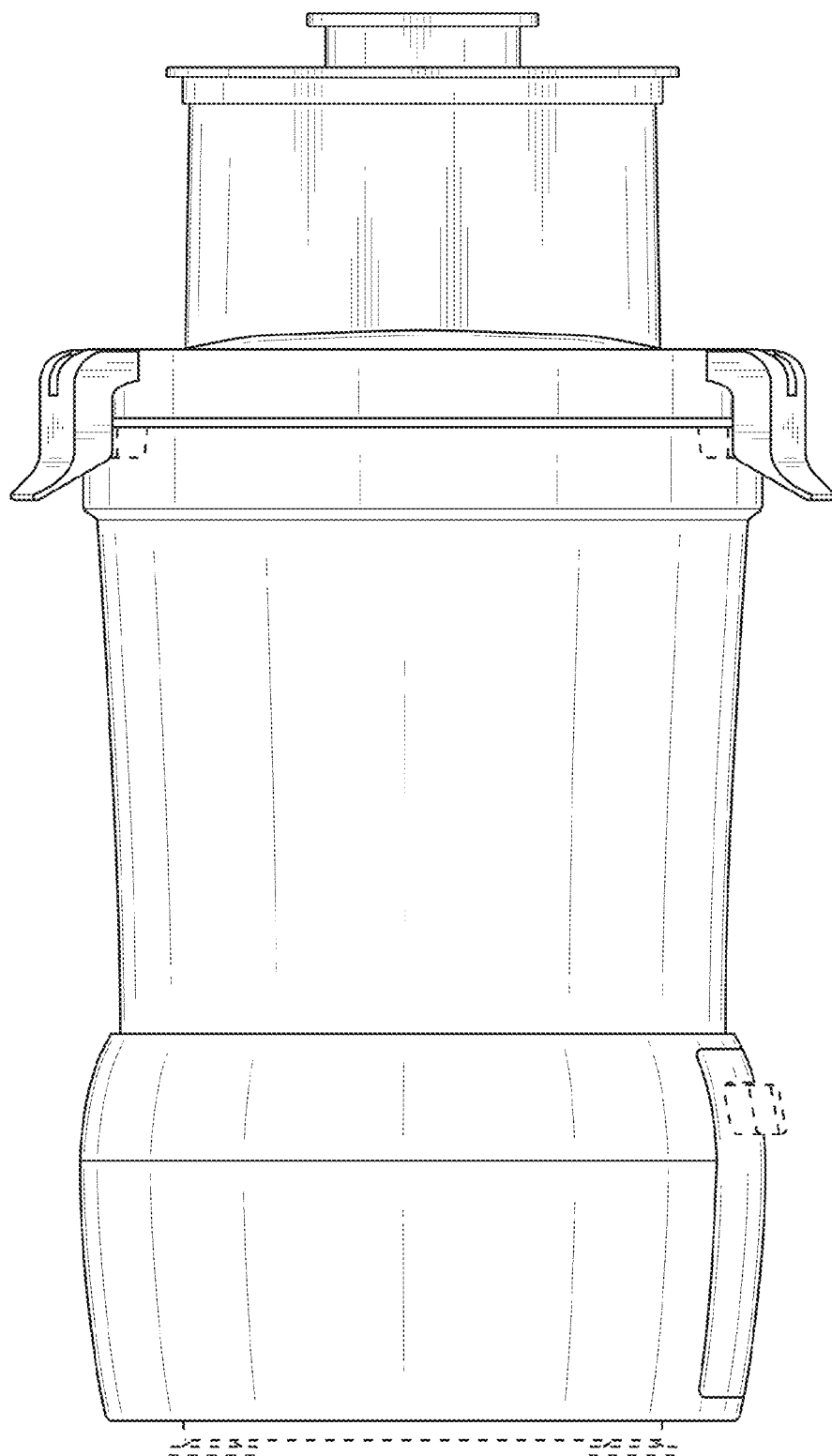


FIG. 5

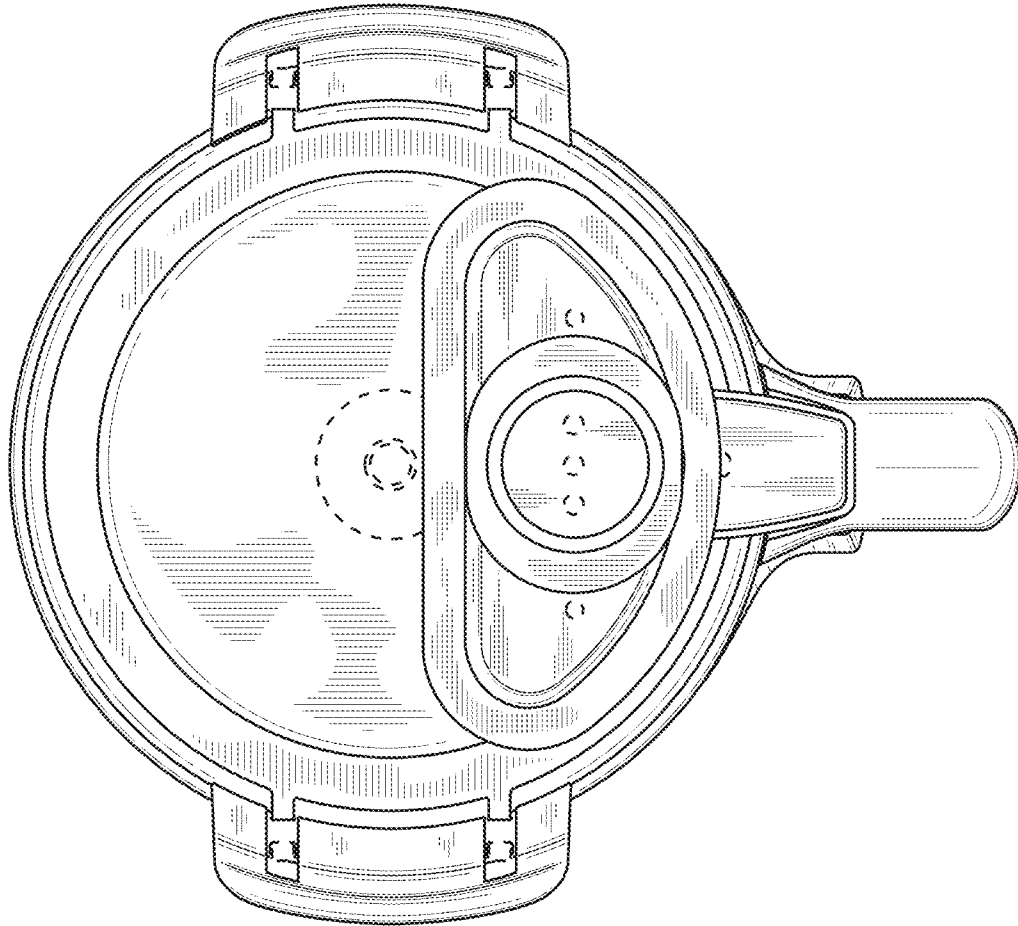


FIG. 6

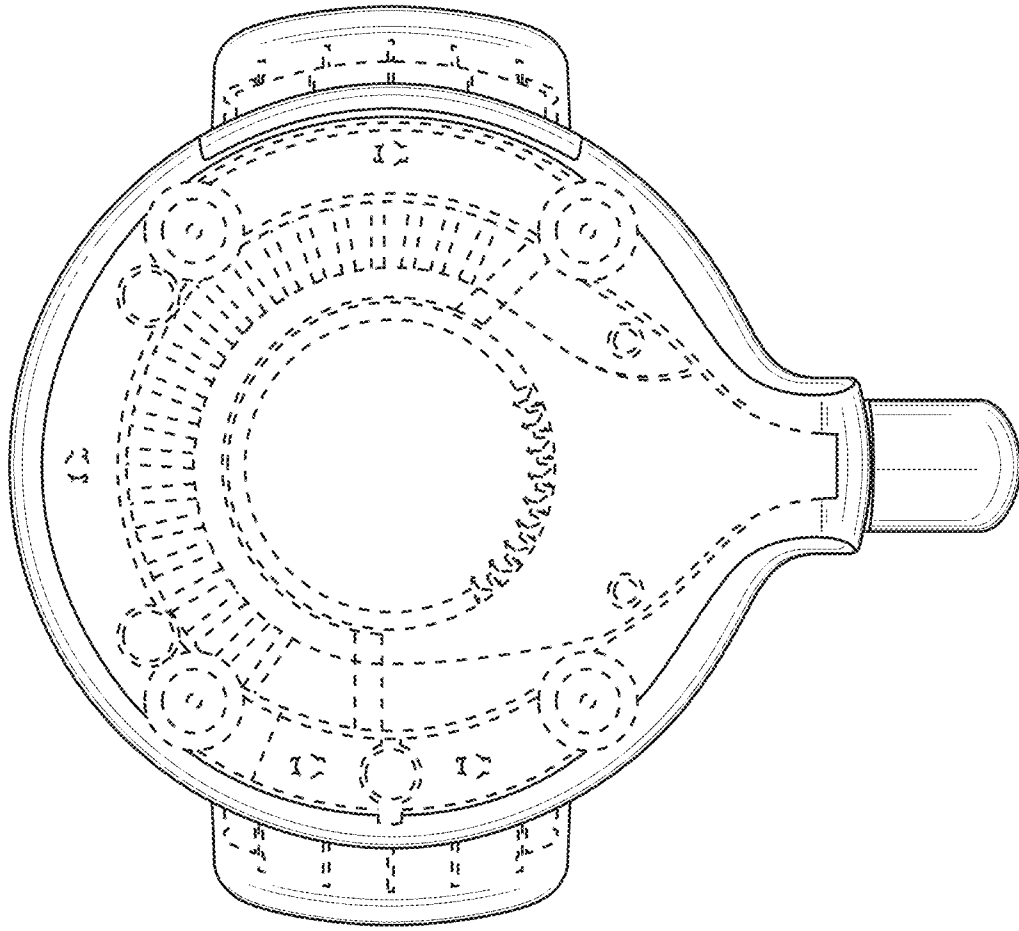


FIG. 7