



US00D994090S

(12) **United States Design Patent**
Li

(10) **Patent No.:** **US D994,090 S**

(45) **Date of Patent:** **** Aug. 1, 2023**

(54) **DRAIN HAIR CATCHER**

(71) Applicant: **Zhi Li, Yiyang (CN)**

(72) Inventor: **Zhi Li, Yiyang (CN)**

(**) Term: **15 Years**

(21) Appl. No.: **29/876,334**

(22) Filed: **May 19, 2023**

(51) **LOC (14) Cl.** **23-01**

(52) **U.S. Cl.**
USPC **D23/261**

(58) **Field of Classification Search**
USPC D23/259–261, 209, 284
CPC A47K 1/14; E04D 2013/0413
See application file for complete search history.

(56) **References Cited**

U.S. PATENT DOCUMENTS

D357,306 S *	4/1995	Lenox	D23/260
D528,523 S	9/2006	Chiu		
D585,969 S *	2/2009	Tasi	D23/260
D746,417 S *	12/2015	Guterman	D23/260
D783,134 S *	4/2017	Karnegie	D23/261
D785,767 S *	5/2017	Karnegie	E03C 1/264
				D23/261
D792,562 S *	7/2017	Ali	D23/261
D794,759 S *	8/2017	Karnegie	D23/261
D814,611 S *	4/2018	Karnegie	D23/261
D827,788 S *	9/2018	Karnegie	D23/261
D828,523 S	9/2018	Karnegie		
D841,133 S *	2/2019	Karnegie	D23/261
D851,225 S *	6/2019	Karnegie	D23/261
D855,782 S *	8/2019	Karnegie	D23/261
D867,551 S *	11/2019	Xiang	D23/261
D872,842 S *	1/2020	Griswold	D23/209

D880,660 S *	4/2020	Chen	D23/261
D889,610 S *	7/2020	Kuna	D23/260
D890,890 S *	7/2020	Liu	D23/261
D892,263 S *	8/2020	Mattox	D23/209
D904,577 S *	12/2020	Lian	D23/261
D936,188 S *	11/2021	Cohen	D23/261
D976,371 S *	1/2023	Zhu	D23/261

OTHER PUBLICATIONS

“Aodays Drain Hair Catcher”. Found online May 19, 2023 at amazon.com. Reference dated Dec. 18, 2022. Retrieved from https://www.amazon.ca/dp/B0BNNZY3B. Year: 2023. The publisher of the above publication is the inventor, Zhi Li.

* cited by examiner

Primary Examiner — David G Muller

(74) *Attorney, Agent, or Firm* — Vladimir Postnikov

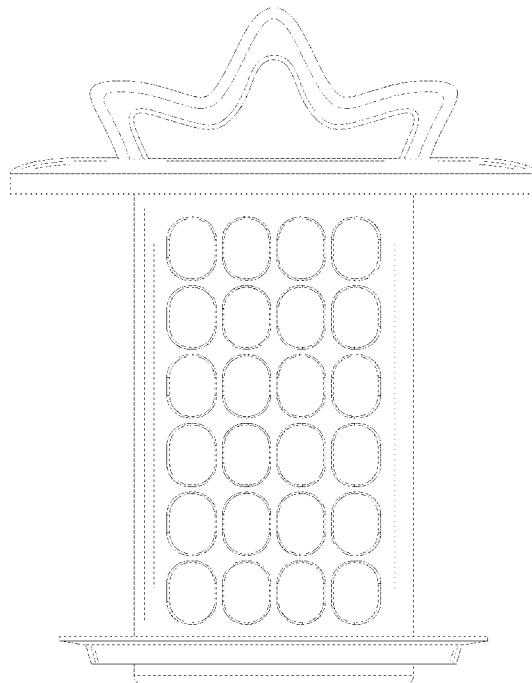
(57) **CLAIM**

The ornamental design for a drain hair catcher, as shown and described.

DESCRIPTION

FIG. 1 is a front elevation view of a drain hair catcher showing the new design;
FIG. 2 is a back elevation view thereof;
FIG. 3 is a left-side view thereof;
FIG. 4 is a right-side view thereof;
FIG. 5 is a top plan view thereof;
FIG. 6 is a bottom plan view thereof;
FIG. 7 is a perspective view thereof; and,
FIG. 8 is another perspective view thereof.

1 Claim, 8 Drawing Sheets



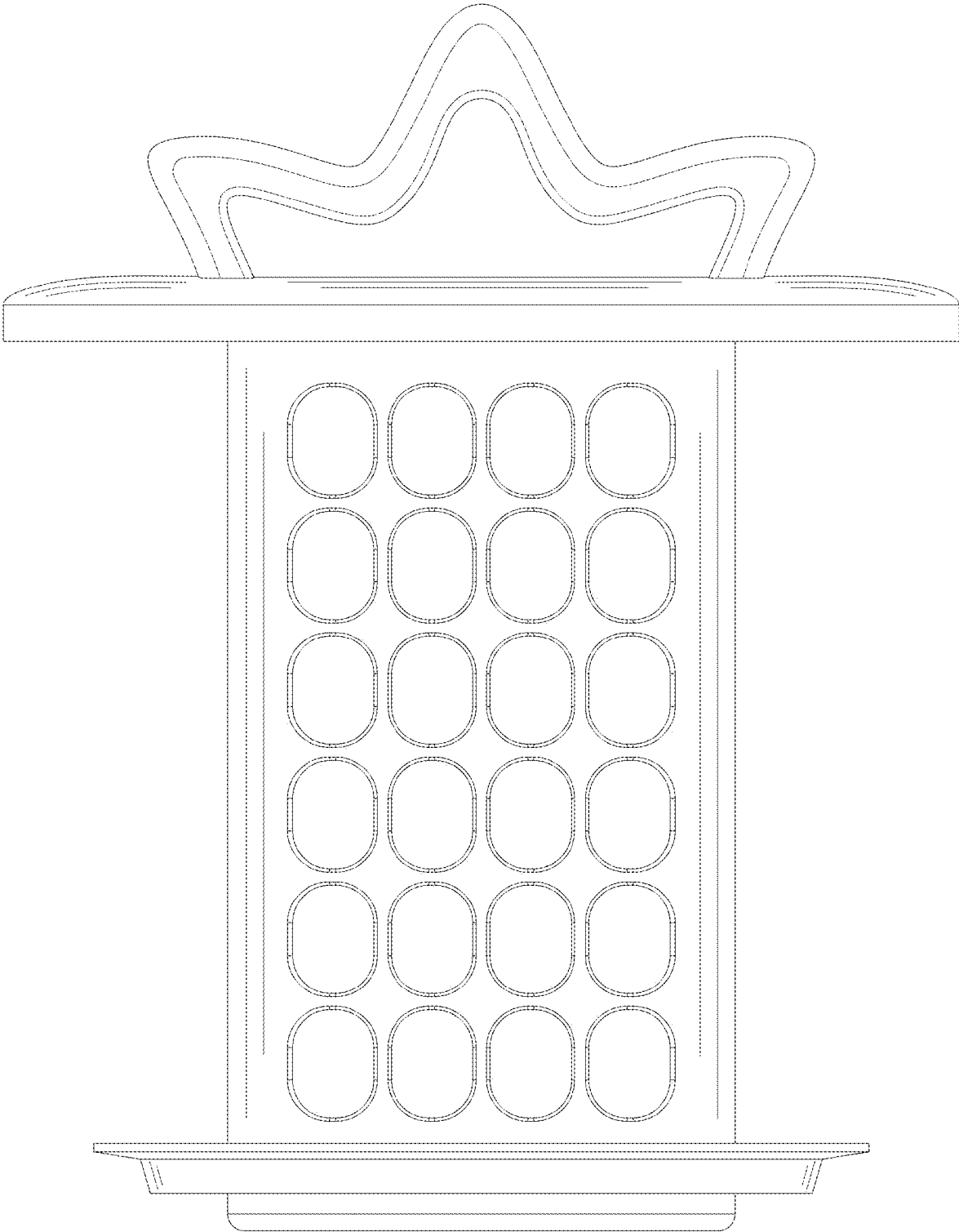


FIG. 1

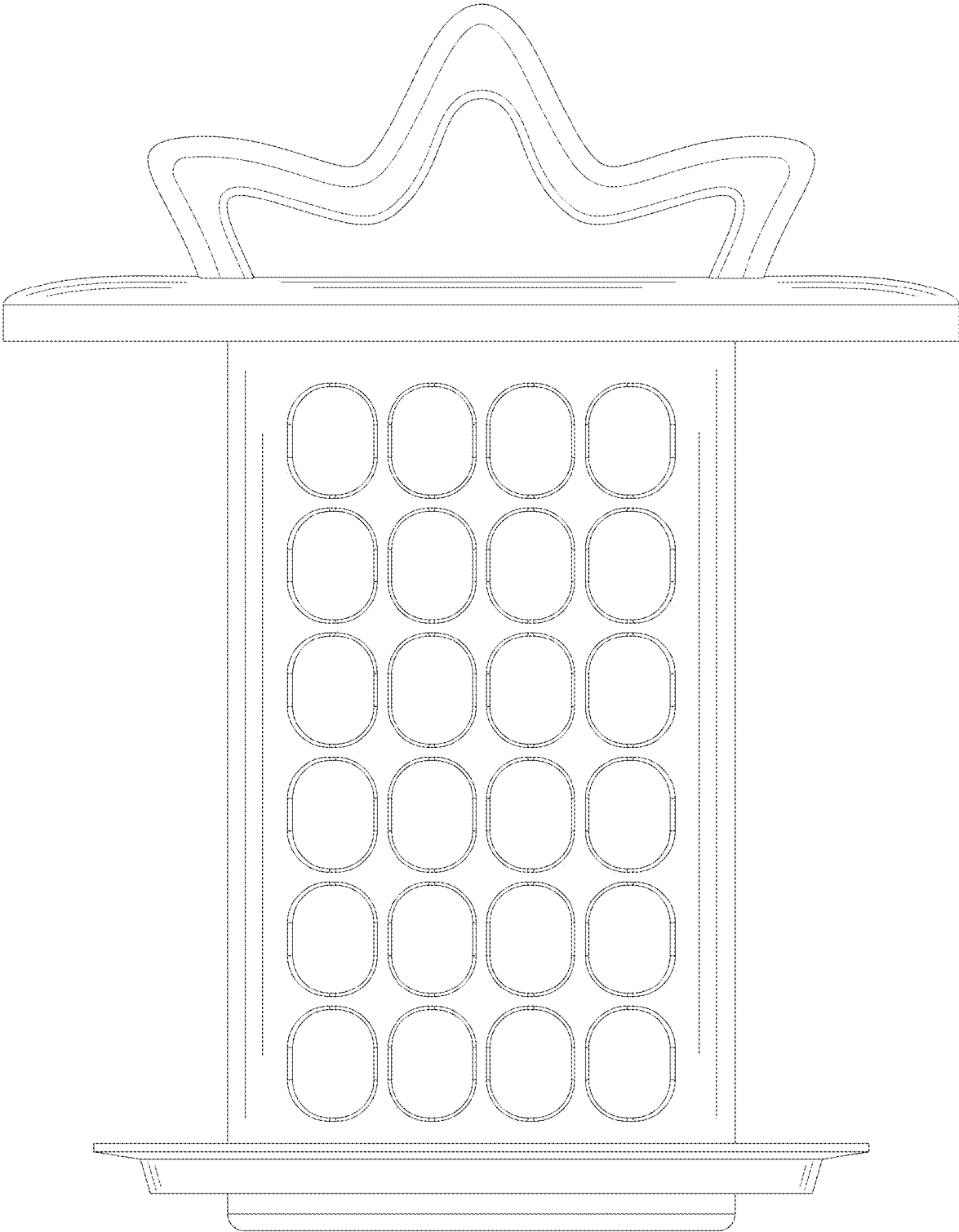


FIG. 2

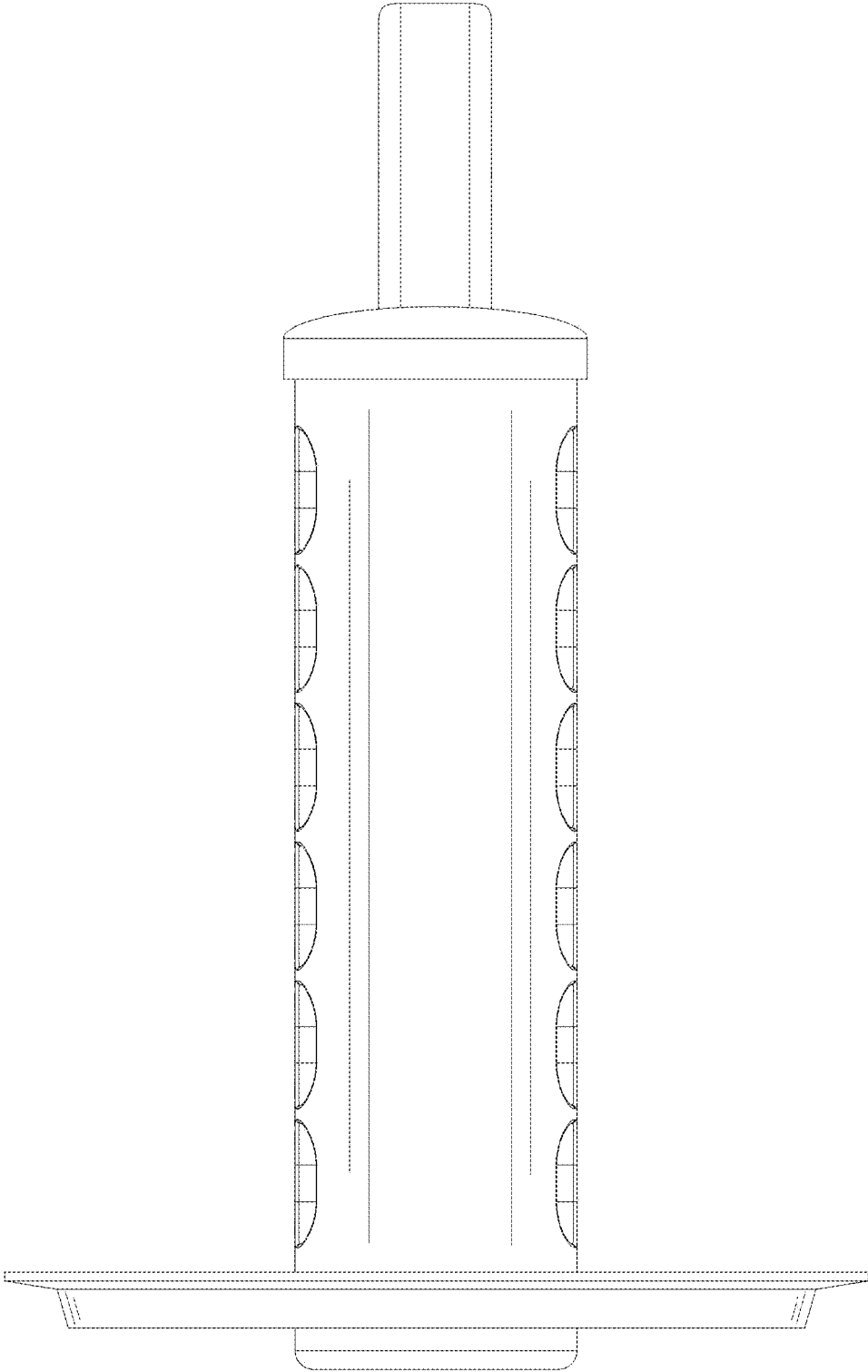


FIG. 3

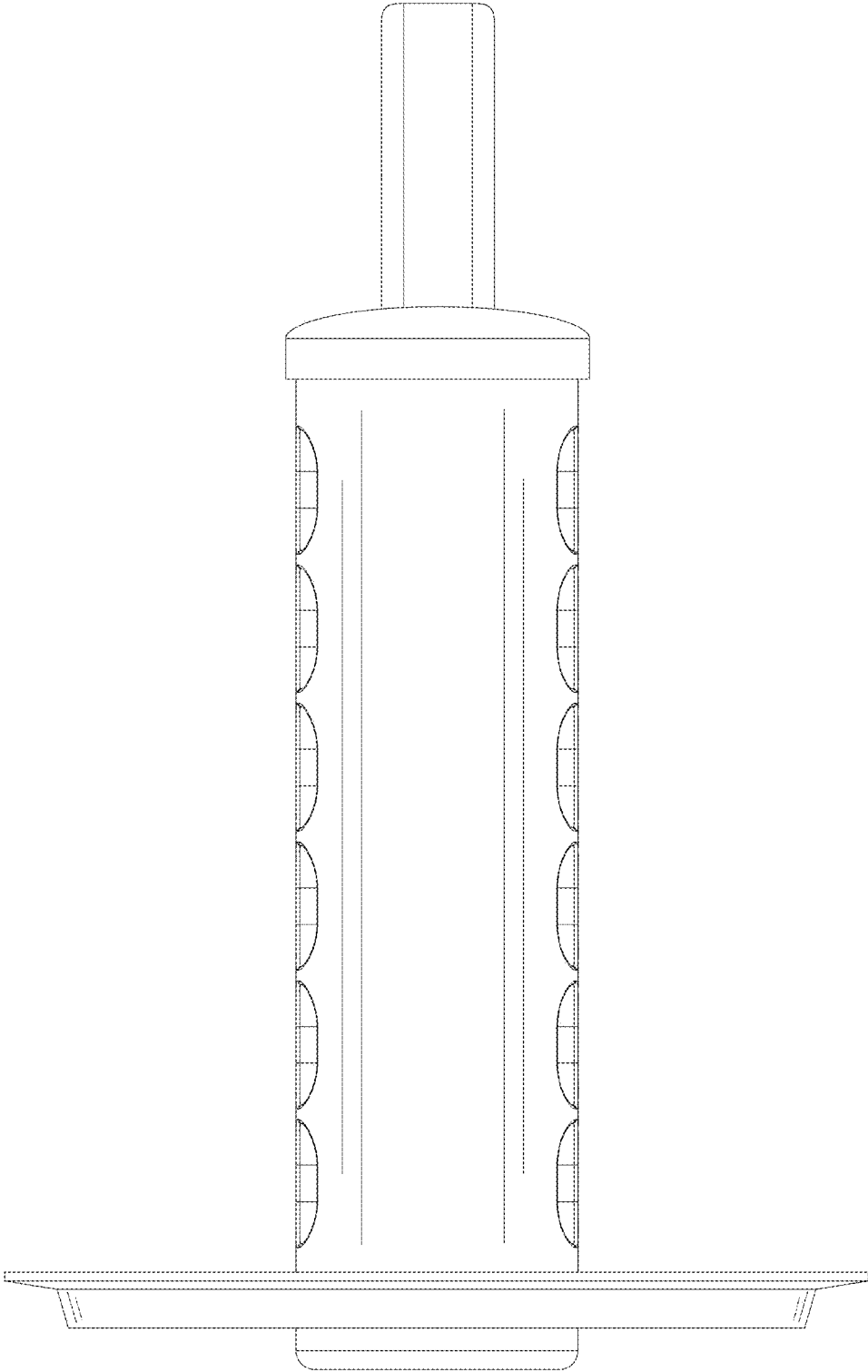


FIG. 4

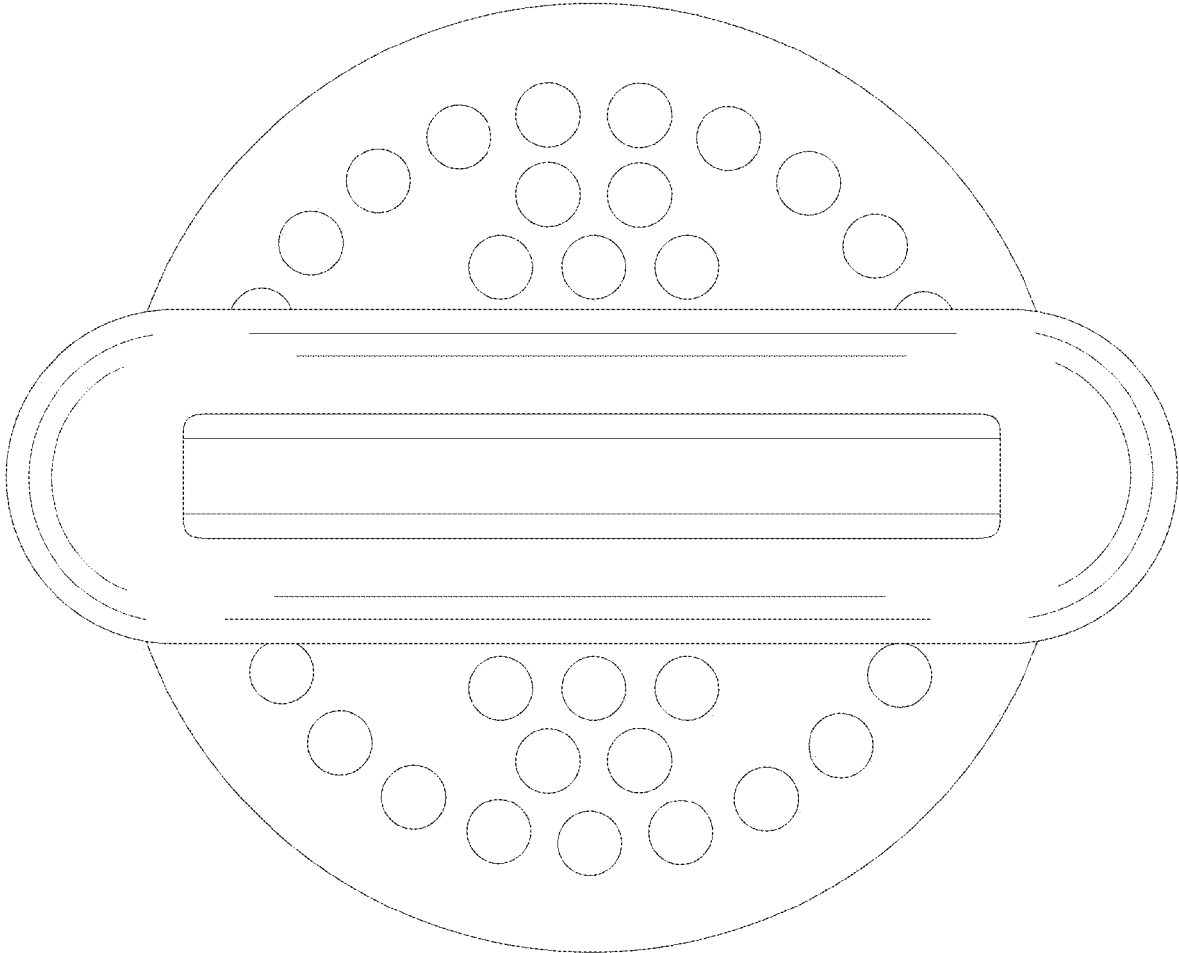


FIG. 5

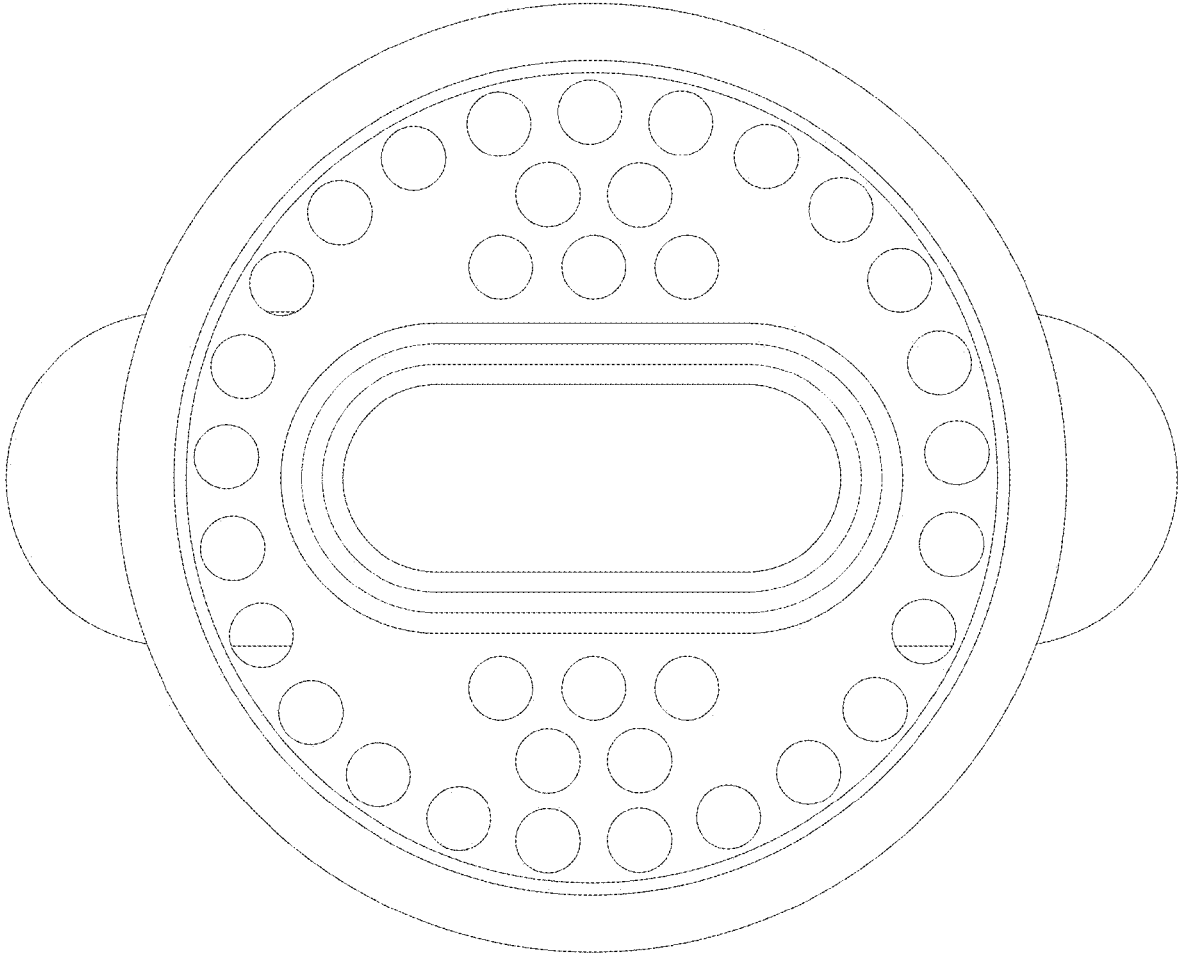


FIG. 6

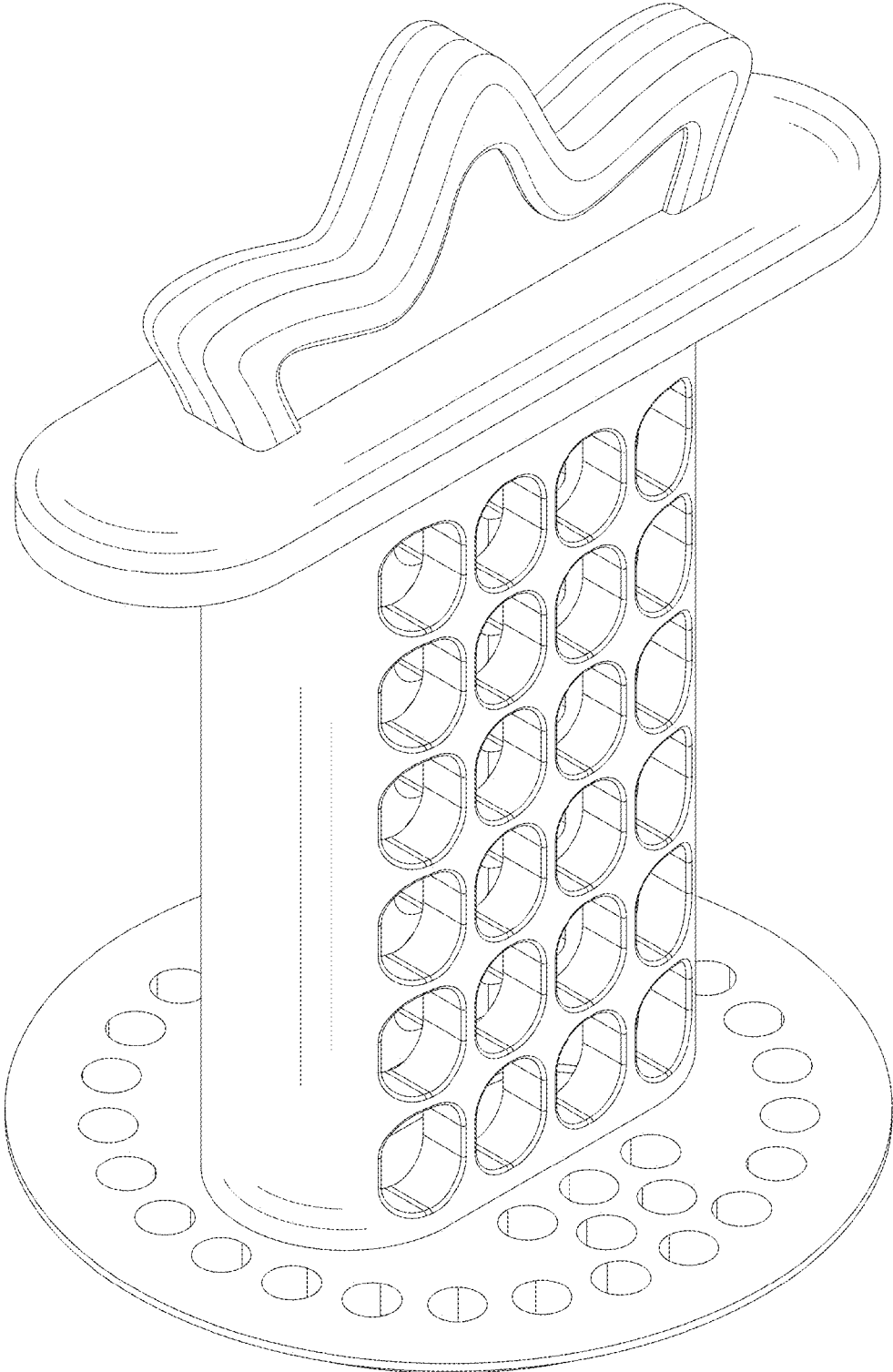


FIG. 7

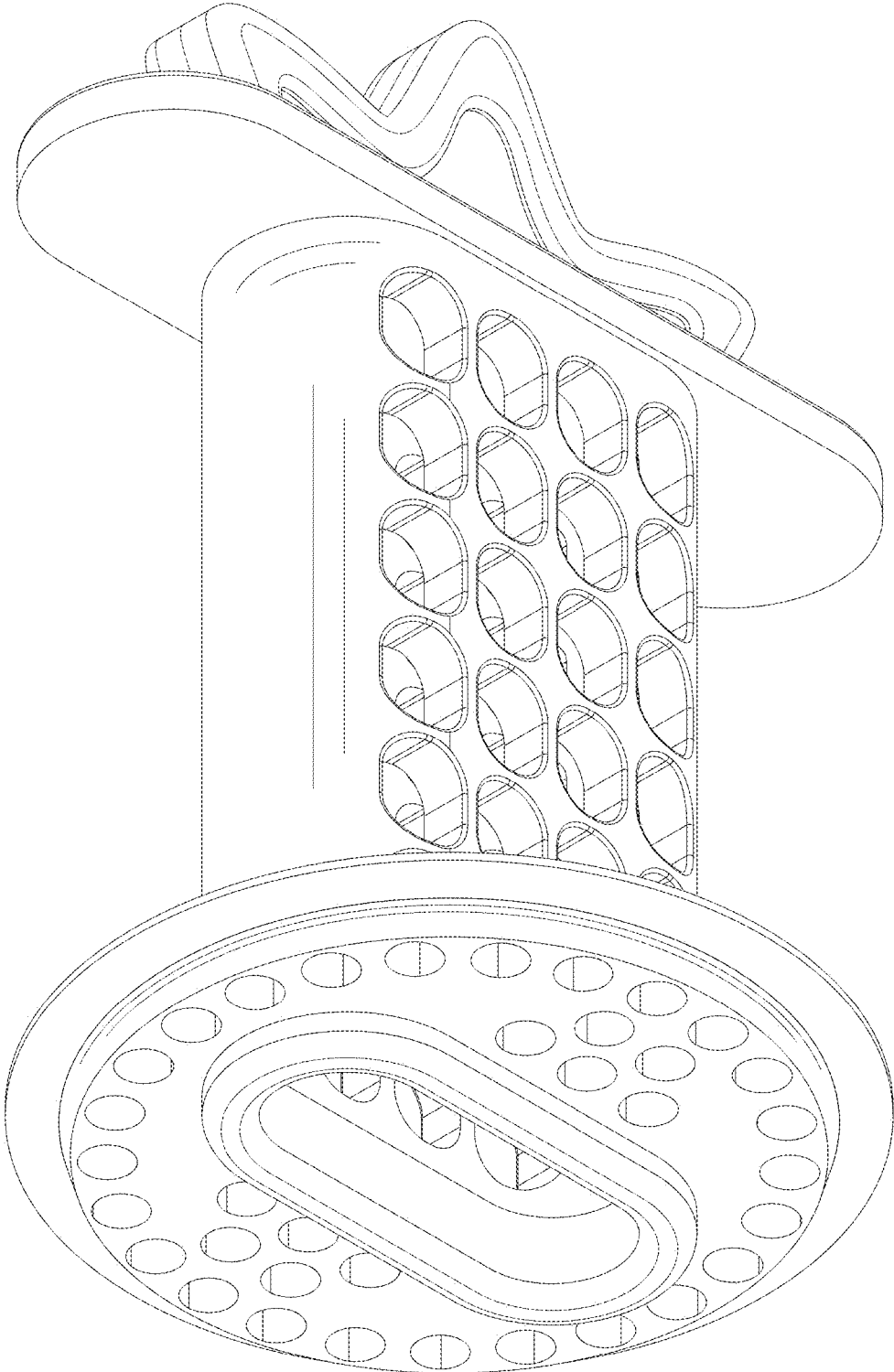


FIG. 8