

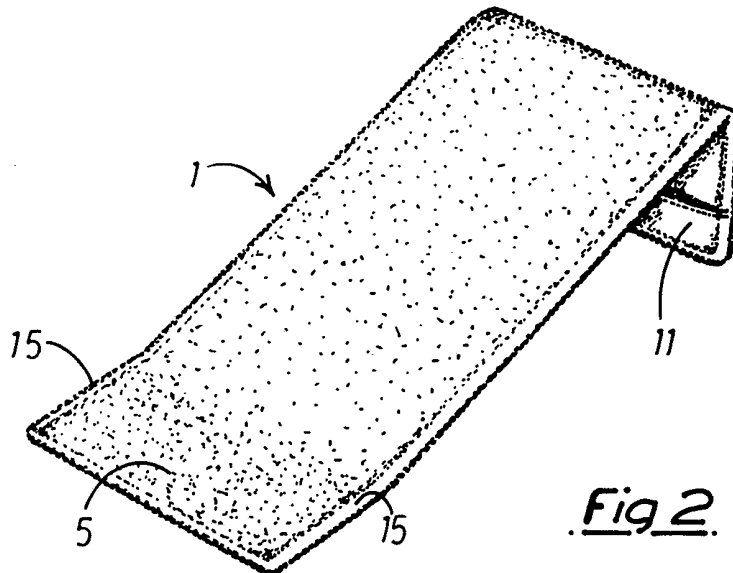
(12) **UK Patent Application** (19) **GB** (11) **2 135 185 A**

(43) Application published 30 Aug 1984

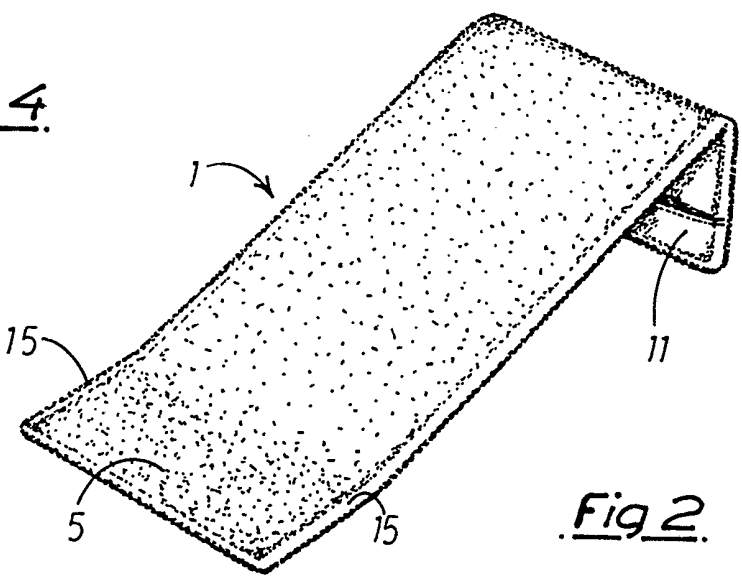
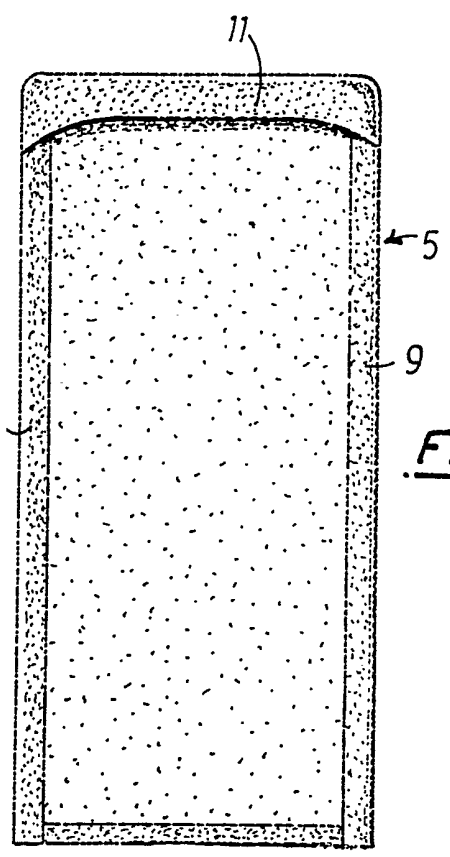
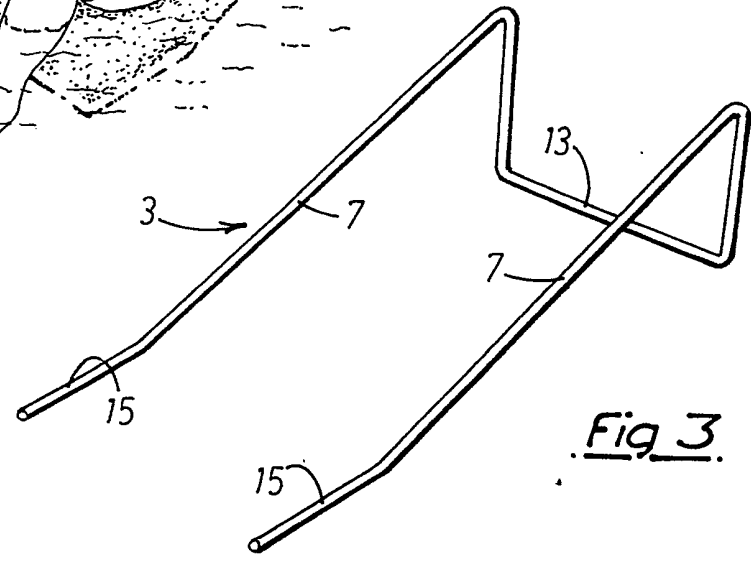
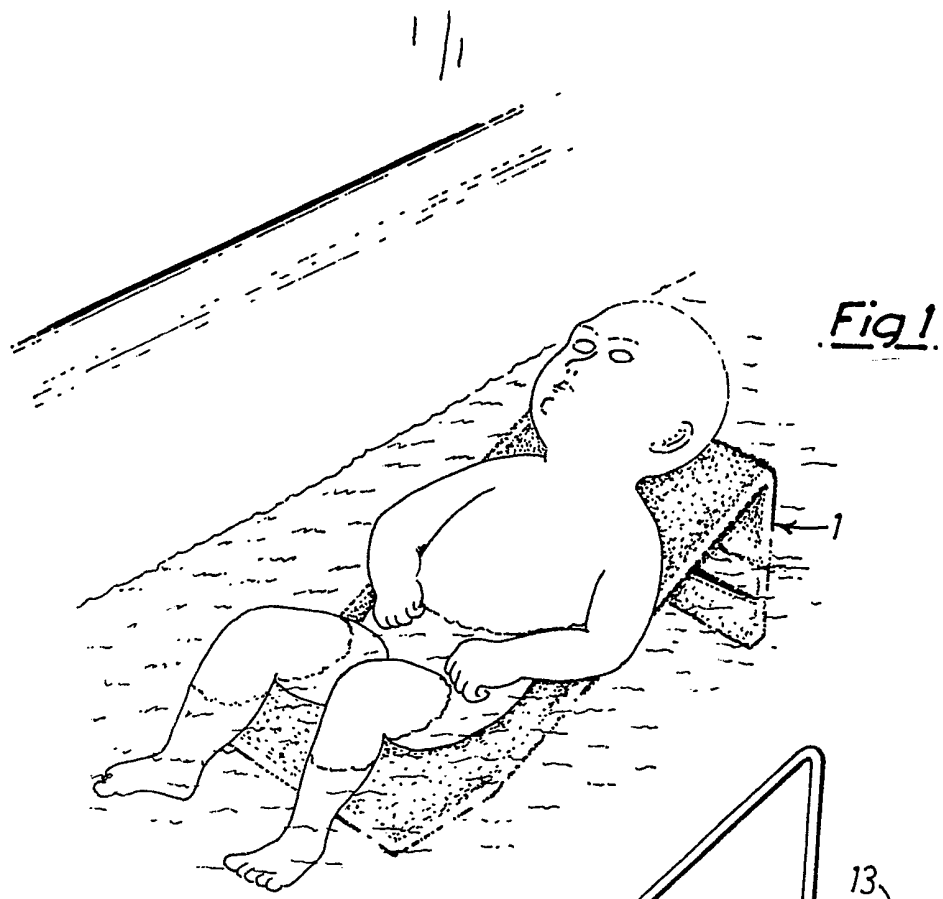
(21) Application No 8305047	(51) INT CL³ A47K 3/12
(22) Date of filing 23 Feb 1983	(52) Domestic classification A4N 2D1 8B
(71) Applicant Gem Engineering Limited (United Kingdom), 1-2-3 Grosvenor Cottages, Pentre Halkyn, Clwyd	(56) Documents cited GB 1591749 US 4338691 GB 1131757 US 4295683 GB 1018888 US 2474572 GB 0370172
(72) Inventor John Gray	(58) Field of search A4N A4L
(74) Agent and/or Address for service Geoffrey Owen & Company, 76 Lower Bridge Street, Chester CH1 1RU	

(54) **A baby support for use in a bath**

(57) The present specification provides a support 1 for a baby, for use in the bath, said support comprising a preformed wire framework on which a towelling material cover 5 is supported, the framework being bent to form inclined and vertical portions. Thus a baby can be simply and safely supported in a bath, partially in the water, releasing the attendant adults hands for washing the baby.



GB 2 135 185 A



SPECIFICATION

A baby support

5 The present invention relates to a support for use when bathing a baby.

Babies are, for hygiene, bathed at extremely frequent intervals, and usually the bathing takes place with the baby in luke warm water either in a kitchen sink or in a normal bathroom bath. Wherever a baby is bathed it is necessary for the person bathing the baby, to support the babies head. This is both to protect the babies neck when very young, and to also keep the babies head clear of the water. However, this means that the person bathing the baby has one hand occupied in supporting the baby in an inclined position in the bath or sink, and thus only one hand is actually free to wash the baby. Clearly it would be advantageous if the person bathing the baby could have both hands free. However, this has hitherto only been possible if another person is available to support the baby in the required position. A problem of available space arises if two persons are necessary. Hence the usual baby bathing with one hand.

The aim of the present invention is to free both hands of a person bathing a baby so that the operation is easier and quicker, than the previous one-handed operation.

30 According to the present invention there is provided a baby support, comprising an inclined ramp which can be located in the bottom of a bath in the water, and on which the baby can be supported in an inclined position, partially in the water.

35 In a preferred embodiment of the present invention the inclined ramp is made of a preformed wire framework which is plastic-coated to prevent corrosion, a detachable towelling material cover being secured on the framework. Thus the baby can be laid on the ramp, i.e. on the towelling material, and bathed simply and easily using both hands. After bathing, the towelling cover can be detached from the framework, and washed ready for future use.

45 Instead of manufacturing the framework from bent wire, the framework may alternatively be made of solid sections of any suitable material e.g. wood or a plastics material. Alternatively, the ramp may be made in sections or integrally formed with a base and two upstanding triangular side walls, between which a cover can be supported. If made of a plastics material, the whole ramp may be integrally moulded.

Further, whilst a towelling cover is preferably used, any other material may be used e.g. plastics sheeting, to form the cover for the inclined ramp.

The present invention will now be further described, by way of example only, with reference to the accompanying drawings, in which:-

60 *Figure 1* is a perspective view of a preferred embodiment of the present invention, in use;

Figure 2 is a perspective view of the ramp of *Figure 1*;

Figure 3 is a perspective view of the framework used in the ramp of *Figures 1* and *2*; and

65 *Figure 4* is a view of the towelling cover used in

the embodiment of *Figures 1* and *2*.

70 A preferred embodiment of the present invention is illustrated in the accompanying drawings. This embodiment of baby support 1 (see *Figures 1* and *2*) basically comprises a bent wire framework 3 and a towelling cover 5.

75 The framework 3 is made from a single length of plastics-coated wire which is bent to provide two generally parallel free arms 7 which basically support the cover 5 in the required inclined position shown in *Figure 1*. The framework 3 can, of course, be replaced by any desired configuration of framework, the prime criterion being that it can form an inclined ramp in accordance with the present invention. Alternatively, the ramp can be formed from a base section and triangular side walls (not shown) between which a cover can be hung. These sections can be solid.

85 In this preferred embodiment of the present invention, the towelling cover 5 has side sleeve regions 9 (see *Figure 4*) into which the free arms 7 can be slid, an end pocket 11 engaging over the interconnecting section 13 (see *Figure 3*) of the framework 3, as seen in *Figure 2*, to thus completely cover the framework 3. The cover 5 can of course be made of any other suitable material e.g. plastic sheet.

90 The free end regions 15 of free arms 7 are bent so as to lie flat on, for example, the bottom of a bath. Thus a baby can sit on the portion of the cover 5 stretched between end regions 15, and lie back on the ramp formed by the cover 5 and framework 3. In this way, the support will not move along the bottom of the bath as might happen due to the baby's own weight, if the baby leant merely against an inclined support.

100 Further the free arms 7 tend to tension the cover therebetween thus providing for a sprung, comfortable support for the baby.

105 After use, or as and when required, the cover 5 can be removed from the framework 3 and simply washed and dried ready for future use.

110 The present invention thus provides a simple, hygienic baby support which aids the operation of bathing a baby.

CLAIMS

115 1. A baby support, comprising an inclined ramp which can be located in the bottom of a bath in the water, and on which a baby can be supported in an inclined position, partially in the water.

120 2. A baby support as claimed in claim 1, in which the inclined ramp is made of a preformed wire framework, to which a material cover is secured.

3. A baby support as claimed in claim 2, in which the preformed wire framework is plastic coated.

125 4. A baby support as claimed in claim 2 or 3, in which the framework is made of a single length of wire which is bent to provide two generally parallel free arms, said free arms being each bent to provide an inclined portion and a vertical portion, said vertical portions being interconnected by a horizontal portion.

130 5. A baby support as claimed in any one of

claims 2, 3 or 4, in which the material cover is detachably secured to the framework.

5 6. A baby support as claimed in claim 4 or 5, in which the free end regions of said free arms of the framework are bent to, in use, allow the free end regions to lie flush with the supporting surface.

7. A baby support as claimed in claim 4, 5 or 6, in which the material cover has side sleeve regions into which the said free arms of the framework are slid.

10 8. A baby support as claimed in claim 7, in which the free arms tension the material cover therebetween.

15 9. A baby support as claimed in claim 7 or 8, in which the material cover has an end pocket which engages over said horizontal portion of the framework.

10. A baby support as claimed in any one of claims 1 to 9, in which the material cover is made from a towelling material.

20 11. A baby support as claimed in any one of claims 1 to 9, in which the material cover is made from a plastics sheet.

25 12. A baby support as claimed in claim 1, in which the inclined ramp is made from a base section and triangular side walls between which a material cover is hung.

13. A baby support as claimed in claim 1, in which the inclined ramp is moulded from a plastics material.

30 14. A baby support constructed substantially as hereinbefore described with reference to and as illustrated in the accompanying drawings.