



US00D584160S

(12) **United States Design Patent**
Zimmermann

(10) **Patent No.:** **US D584,160 S**

(45) **Date of Patent:** **** Jan. 6, 2009**

(54) **BRUSH PACKAGE**

(75) Inventor: **Lucy Abigail Zimmermann**, Kronberg (DE)

(73) Assignee: **The Procter & Gamble Company**, Cincinnati, OH (US)

(**) Term: **14 Years**

(21) Appl. No.: **29/303,958**

(22) Filed: **Feb. 21, 2008**

Related U.S. Application Data

(62) Division of application No. 29/286,350, filed on May 2, 2007, now abandoned.

(51) **LOC (9) Cl.** **09-03**

(52) **U.S. Cl.** **D9/667; D9/434; D9/415**

(58) **Field of Classification Search** D9/600, D9/667, 414-434, 457; D20/10, 11, 12, D20/22, 23, 29; D14/491; D11/44, 48, 61, D11/81, 99, 116; D18/24, 29, 30, 32; 206/209.1, 206/351, 362.1-362.3, 368, 457, 459.1, 459.5, 206/461-471

See application file for complete search history.

(56) **References Cited**

U.S. PATENT DOCUMENTS

D79,119 S * 7/1929 Rau D20/29
D196,421 S * 10/1963 Escalante D20/29
D201,271 S * 6/1965 Escalante D20/29

D207,834 S * 6/1967 Escalante D20/29
6,311,837 B1 * 11/2001 Blaustein et al. 206/362.2
6,932,216 B2 * 8/2005 Blaustein et al. 206/362.2
D511,525 S * 11/2005 Hernandez et al. D14/491
2002/0100134 A1 * 8/2002 Dunn et al. 15/167.1
2003/0127351 A1 * 7/2003 Takahashi et al. 206/459.5
2006/0175221 A1 * 8/2006 Liaw 206/459.5
2007/0119742 A1 * 5/2007 Thielman et al. 206/494

* cited by examiner

Primary Examiner—Catherine Tuttle

(74) *Attorney, Agent, or Firm*—George H. Leal

(57) **CLAIM**

The ornamental design for a brush package, as shown and described.

DESCRIPTION

FIG. 1 is a perspective view as seen from the bottom, front and right side of a brush package showing our new design;

FIG. 2 is a front view thereof

FIG. 3 is a rear view thereof;

FIG. 4 is right side elevational view thereof; and

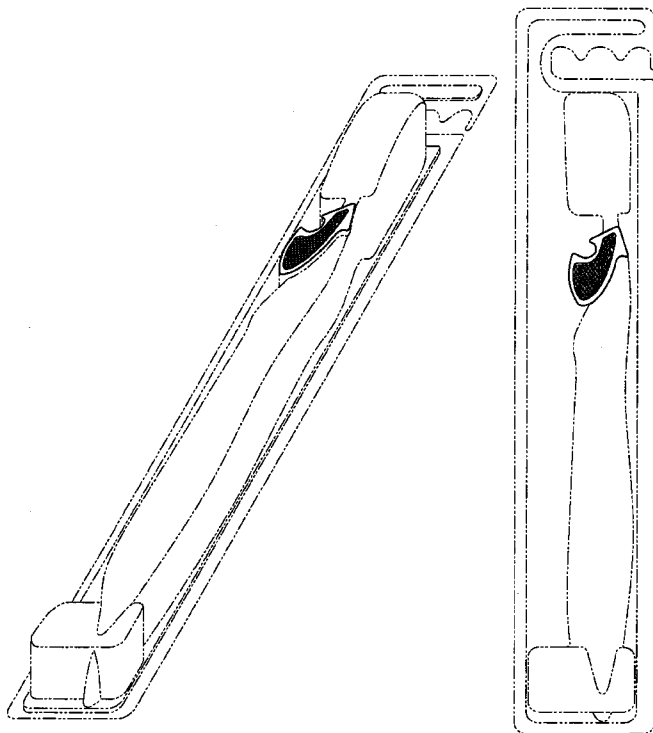
FIG. 5 is a left side elevational view thereof;

FIG. 6 is a top view thereof; and,

FIG. 7 is a bottom view thereof.

The broken lines are included for the purpose of illustrating portions of the brush package that form no part of the claimed design.

1 Claim, 3 Drawing Sheets



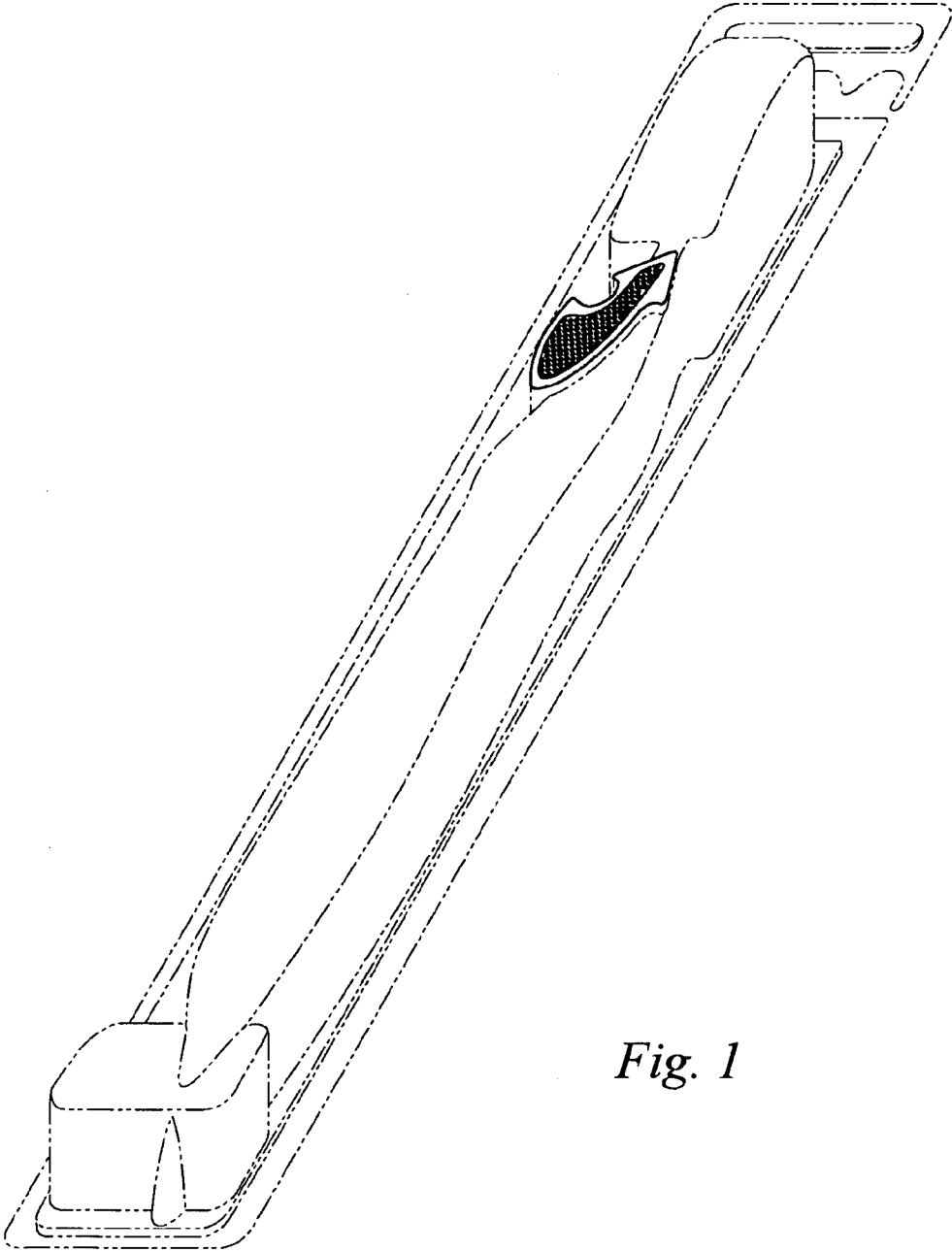


Fig. 1

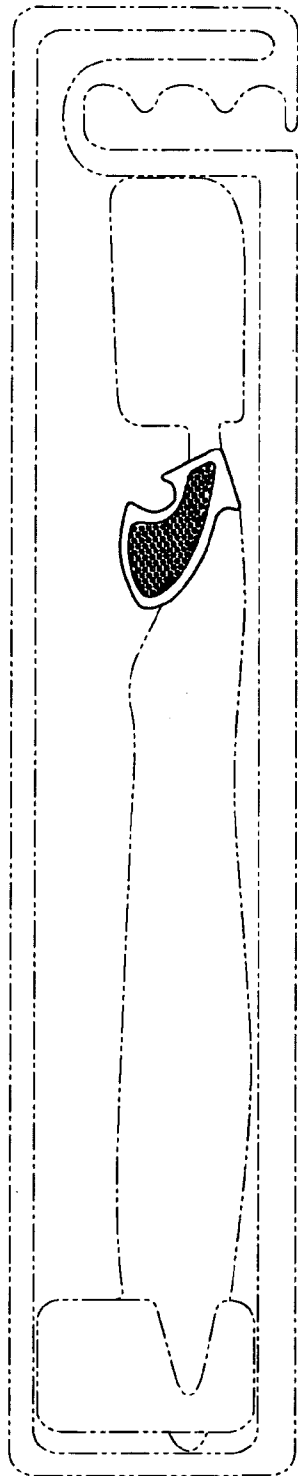


Fig. 2

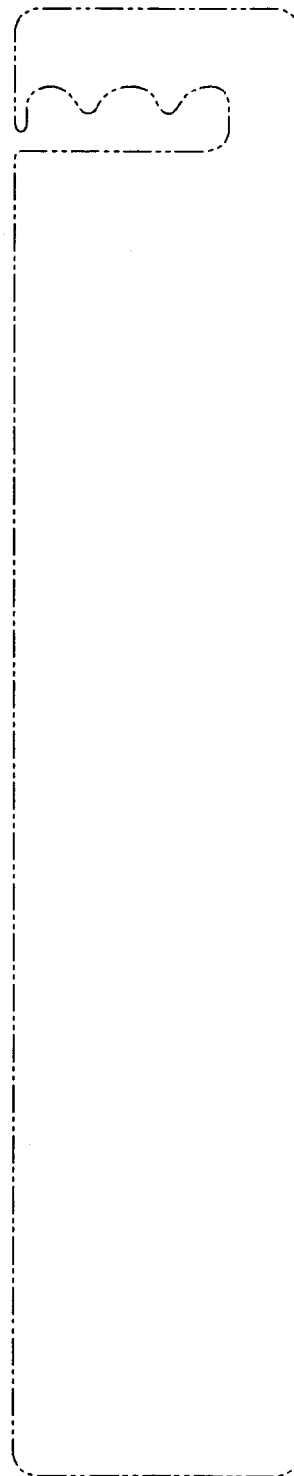


Fig. 3

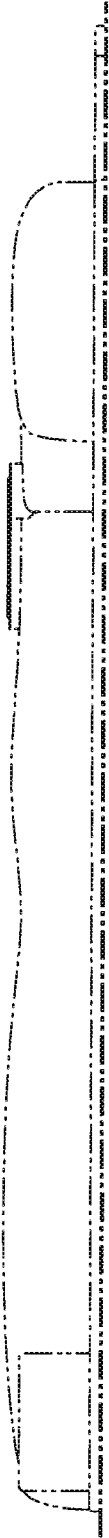


Fig. 4



Fig. 5



Fig. 6

Fig. 7