



US00D915396S

(12) **United States Design Patent**
Sheu et al.

(10) **Patent No.:** **US D915,396 S**

(45) **Date of Patent:** **** Apr. 6, 2021**

(54) **CONVERTIBLE INFORMATION HANDLING SYSTEM**

D734,323 S * 7/2015 Takizawa D14/316
D743,390 S * 11/2015 Lyles D14/315
D750,616 S * 3/2016 Liang D14/318

(Continued)

(71) Applicant: **Dell Products L.P.**, Round Rock, TX (US)

(72) Inventors: **Weijong Sheu**, Austin, TX (US); **Paul J. Doczy**, Austin, TX (US); **Heekwon Chon**, Austin, TX (US)

(73) Assignee: **Dell Products L.P.**, Round Rock, TX (US)

(**) Term: **15 Years**

(21) Appl. No.: **29/669,204**

(22) Filed: **Nov. 6, 2018**

(51) **LOC (13) Cl.** **14-02**

(52) **U.S. Cl.**
USPC **D14/327**

(58) **Field of Classification Search**
USPC D14/315-327, 331, 334-336, 339-340, D14/371, 373-374; D18/1-2, 7, 11, D18/12.2-12.3

CPC G06F 1/1618; G06F 1/166; G06F 1/1613; G06F 1/1616; G06F 1/162; G06F 1/1622; G06F 1/1624; G06F 1/1633; G06F 1/1615; G06F 1/1643; G06F 1/1654; G06F 1/1656; G06F 1/1669; G06F 1/203; G06F 1/1688; G06F 1/1601; G06F 1/1637; G06F 1/181; H05K 5/0047; H05K 5/0052

See application file for complete search history.

(56) **References Cited**

U.S. PATENT DOCUMENTS

D697,063 S * 1/2014 Lee D14/315
D705,773 S * 5/2014 Tian D14/318
D720,742 S 1/2015 Leonard
D729,228 S * 5/2015 Kawai D14/318

OTHER PUBLICATIONS

2018 HP Envy x360 15.6" FHD Touchscreen 2-in-1 Laptop Computer, posted at Amazon, review posted May 15, 2018. Site visited Aug. 2, 2020. URL: <<https://www.amazon.com/dp/B07BWBWBN189?tag=technadu-20&linkCode=ogi&th=1&pssc=1>> (Year: 2018).*

(Continued)

Primary Examiner — Kathleen L Jones

(74) *Attorney, Agent, or Firm* — Zagorin Cave LLP; Robert W. Holland

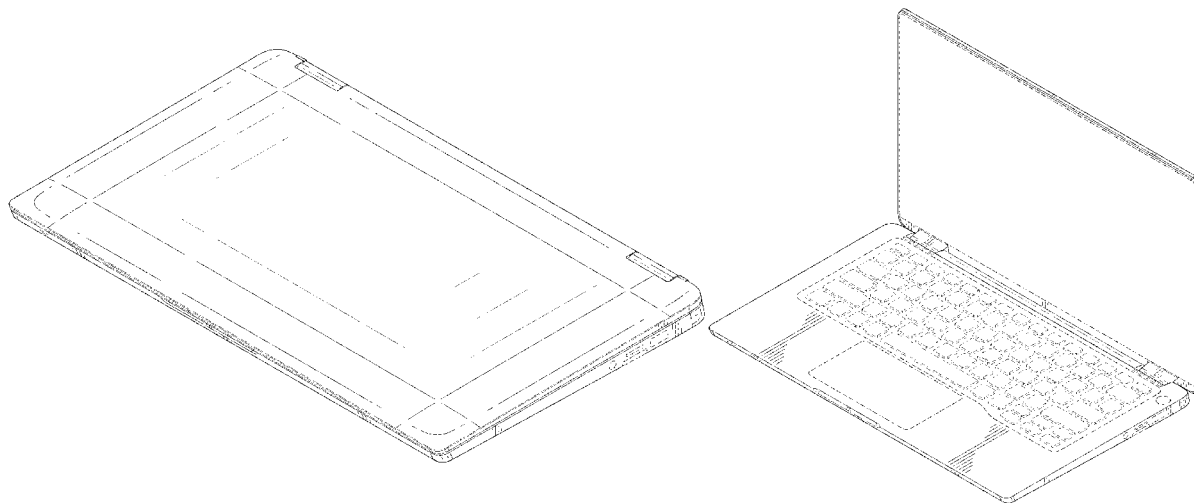
(57) **CLAIM**

We claim the ornamental design for a convertible information handling system, as shown and described.

DESCRIPTION

FIG. 1 is a front perspective view of the convertible information handling system comprising the present invention; FIG. 2 is a front elevation view thereof; FIG. 3 is a rear elevation view thereof; FIG. 4 is a right side view thereof; FIG. 5 is a left side view thereof; FIG. 6 is a top view thereof; FIG. 7 is a bottom view thereof; FIG. 8 is a front perspective view thereof showing the convertible information handling system in an open position; FIG. 9 is a right side view thereof showing the convertible information handling system in a tablet position; and, FIG. 10 is a left side view thereof. Broken lines shown in the drawings illustrate portions of the convertible information handling system, and form no part of the claimed design.

1 Claim, 7 Drawing Sheets



(56)

References Cited

U.S. PATENT DOCUMENTS

D756,350 S * 5/2016 Sun D14/315
 D756,351 S * 5/2016 Sun D14/315
 D758,360 S * 6/2016 Lyles D14/315
 D762,638 S 8/2016 Chang
 D763,249 S * 8/2016 Lee D14/315
 D767,561 S * 9/2016 Lin D14/315
 D770,440 S * 11/2016 Chou D14/315
 D770,442 S * 11/2016 Tu D14/315
 D781,282 S 3/2017 Hsu
 D802,584 S * 11/2017 Kong D14/315
 D806,702 S * 1/2018 Senatori D14/316
 D807,344 S 1/2018 Sun
 D810,069 S * 2/2018 Hishiki D14/316
 D810,071 S * 2/2018 Hishiki D14/318
 D813,861 S * 3/2018 Goh D14/315
 D821,387 S * 6/2018 Wang D14/315
 D829,710 S * 10/2018 Seoc D14/315
 D835,095 S * 12/2018 Goh D14/315
 D842,856 S * 3/2019 Lam D14/345
 D864,948 S * 10/2019 Yoshida D14/327
 D880,473 S * 4/2020 Moon D14/327
 D890,747 S * 7/2020 Lee D14/315
 D890,749 S * 7/2020 Draca D14/327
 2013/0170124 A1* 7/2013 Pan G06F 1/1618
 361/679.08

2014/0063700 A1* 3/2014 Kawada H05K 5/0226
 361/679.01
 2016/0139636 A1* 5/2016 Saito G06F 1/1667
 361/679.27
 2018/0253124 A1* 9/2018 David G06F 1/1666

OTHER PUBLICATIONS

Tracy, Phillip, Acer Spin 3 Review, posted at Laptop Mag, posting date Jun. 28, 2018. Site visited Aug. 2, 2020. URL: <<https://www.laptopmag.com/reviews/laptops/acer-spin-3>> (Year: 2018).
 U.S. Appl. No. 29/628,940, filed Dec. 8, 2017, entitled Information Handling System, by Jeff A. Reed et al.
 Dell, "X9 Latitude 7390," downloaded from <https://www.dell.com/en-us/work/shop/cty/pdp/spd/latitude-13/7390-laptop/cto051739013us?mkwid=sYFj4j1M4&pclid=17868181018987&pkw=&pmt=&pdv=c&slid=&product=CTO05L739013US&pgrid=42> . . . , Nov. 6, 2018, 6 pages.
 Dell, "Latitude 14 7000 Series (E7450)," downloaded from <https://www.dell.com/en-us/work/shop/dell-laptops-and-notebooks/latitude-14-7000-series-e7450/spd/latitude-e7450-ultrabook>, Nov. 5, 2018, 4 pages.
 Dell, "XPS 13," downloaded from <https://www.dell.com/en-us/shop/dell-laptops/xps-13/spd/xps-13/9360-laptop>, Nov. 6, 2018, 6 pages.

* cited by examiner

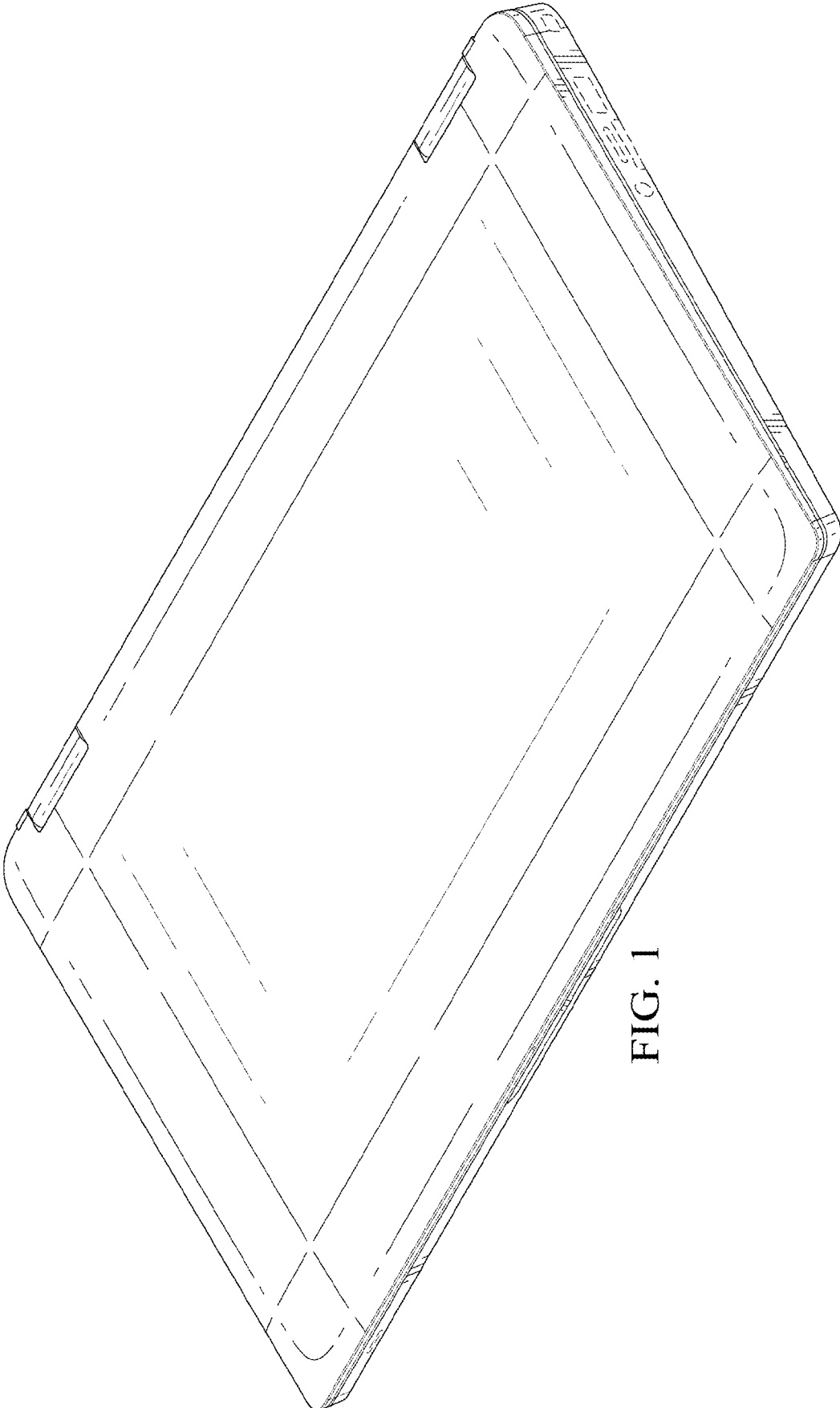


FIG. 1



FIG. 2



FIG. 3

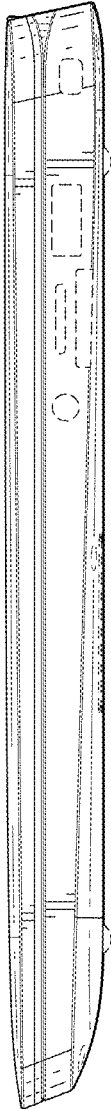


FIG. 4

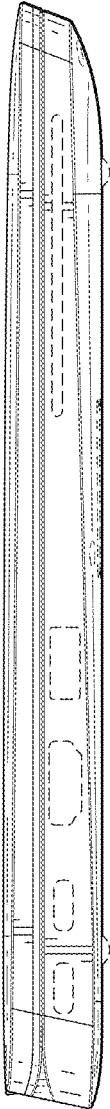


FIG. 5

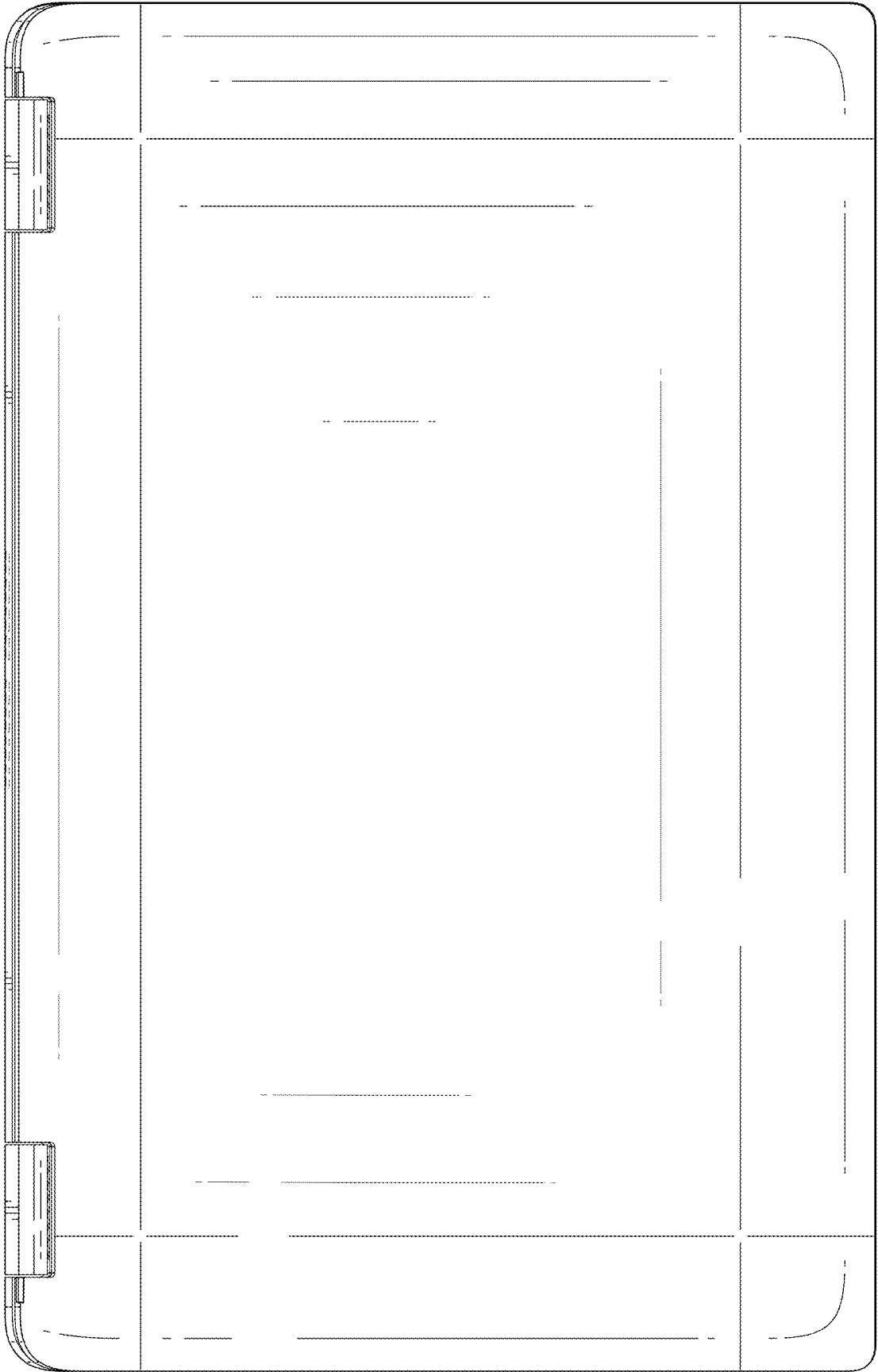


FIG. 6

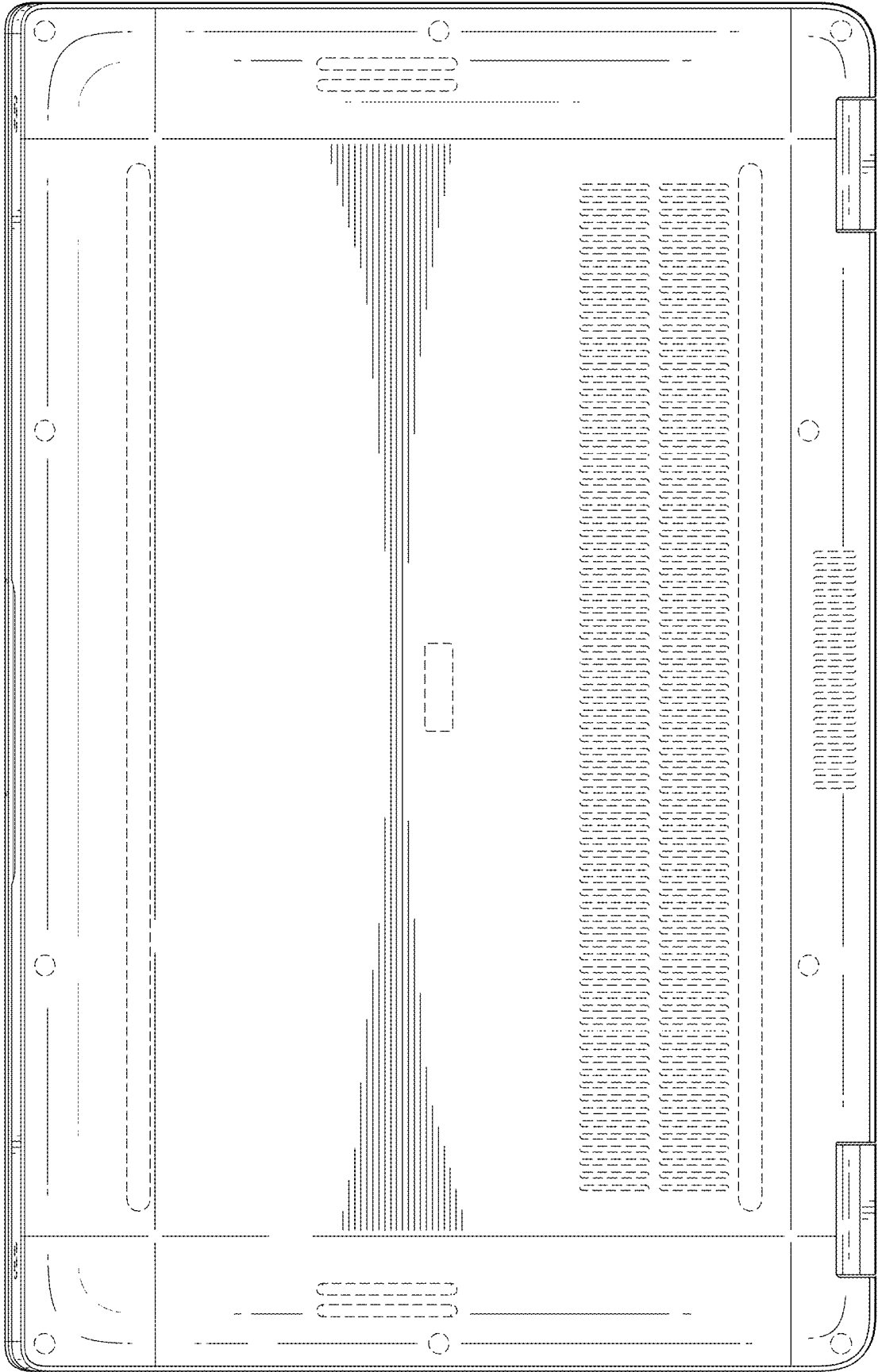


FIG. 7

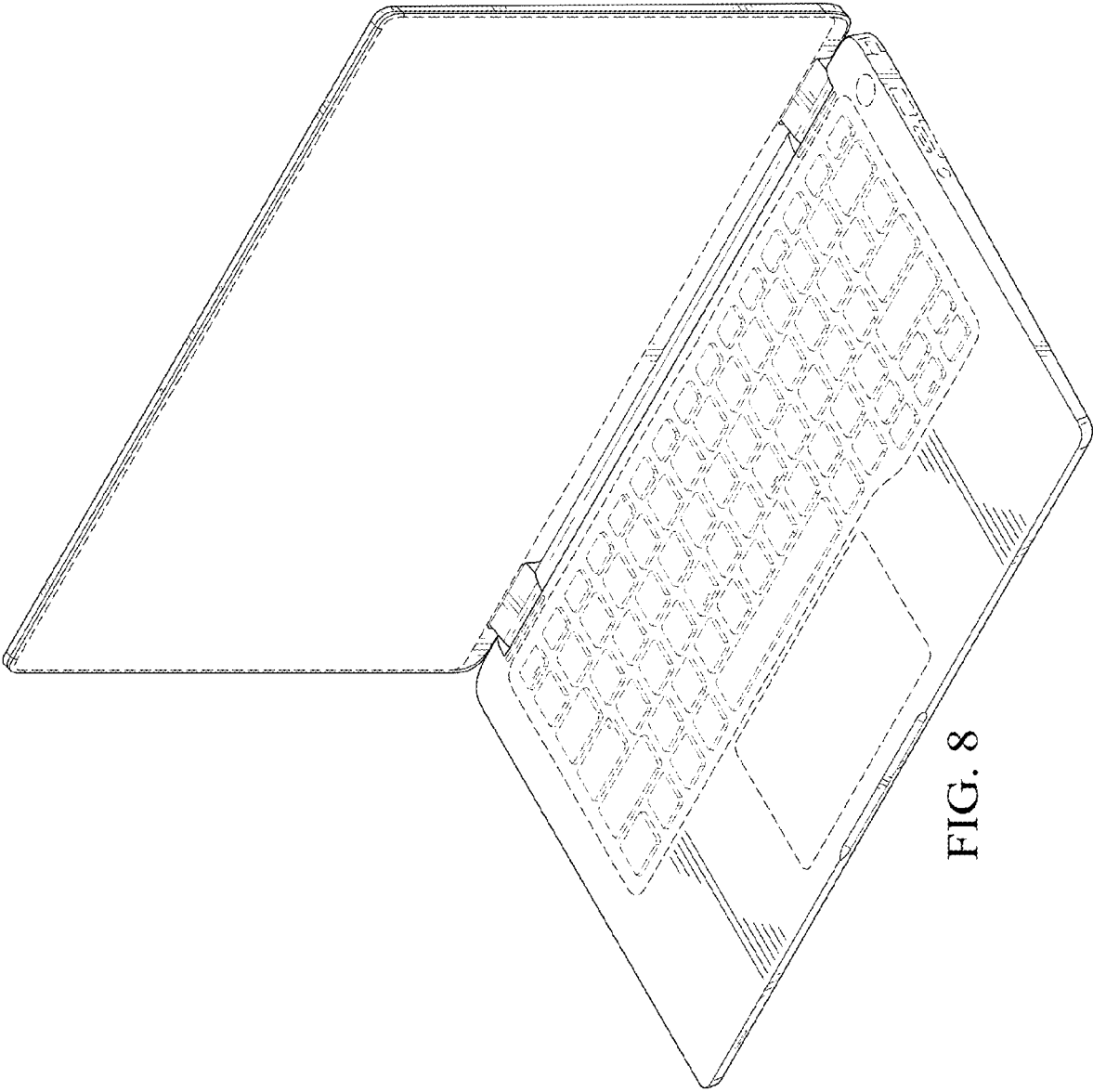


FIG. 8

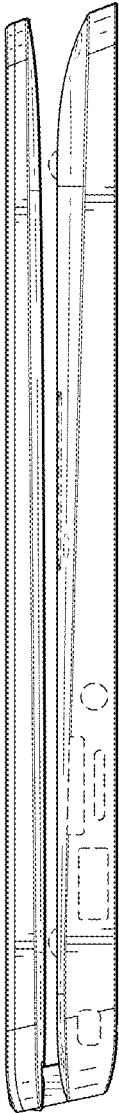


FIG. 9

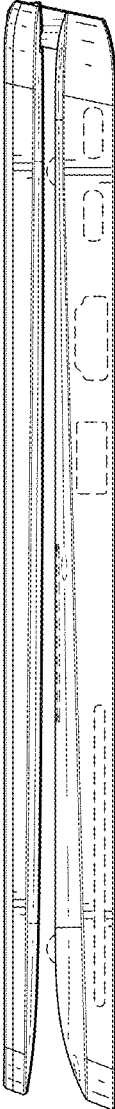


FIG. 10