



US00D718752S

(12) **United States Design Patent**
Wang

(10) **Patent No.:** **US D718,752 S**

(45) **Date of Patent:** **** Dec. 2, 2014**

(54) **ROUTER**
(71) Applicant: **Gigastone Corporation**, Taipei (TW)
(72) Inventor: **Li-Ming Wang**, Taipei (TW)
(73) Assignee: **Gigastone Corporation**, Taipei (TW)
(**) Term: **14 Years**

D463,416 S *	9/2002	Tomino et al.	D14/240
6,669,513 B2 *	12/2003	Huang	439/638
D568,312 S *	5/2008	Wang et al.	D14/356
D583,796 S *	12/2008	Tanaka	D14/155
D647,908 S *	11/2011	Chen et al.	D14/434
D669,059 S *	10/2012	Huang	D14/240
D669,455 S *	10/2012	Huang	D14/240
8,541,985 B1 *	9/2013	Wong	320/140
D693,798 S *	11/2013	Chuang et al.	D14/240
D705,719 S *	5/2014	Wong	D13/103

* cited by examiner

(21) Appl. No.: **29/453,025**
(22) Filed: **Apr. 24, 2013**
(51) **LOC (10) Cl.** **14-03**
(52) **U.S. Cl.**
USPC **D14/240; D14/358**
(58) **Field of Classification Search**
CPC H04L 12/00; H03K 17/00; H04W 88/00;
H04W 88/005; H04W 88/02; H04W 88/08;
H04W 88/085; H04W 88/10; H04W 88/12;
H04W 88/14; H04B 1/38
USPC D14/242, 240, 435.1, 357, 358,
D14/140-140.9, 155, 137, 139, 243, 348,
D14/349, 351, 354, 355, 138 AD; 375/222
See application file for complete search history.

Primary Examiner — Bridget L Eland
(74) *Attorney, Agent, or Firm* — C. G. Mersereau; Nikolai & Mersereau, P.A.

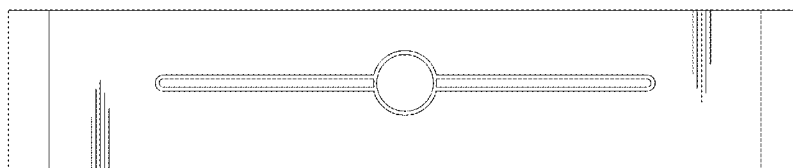
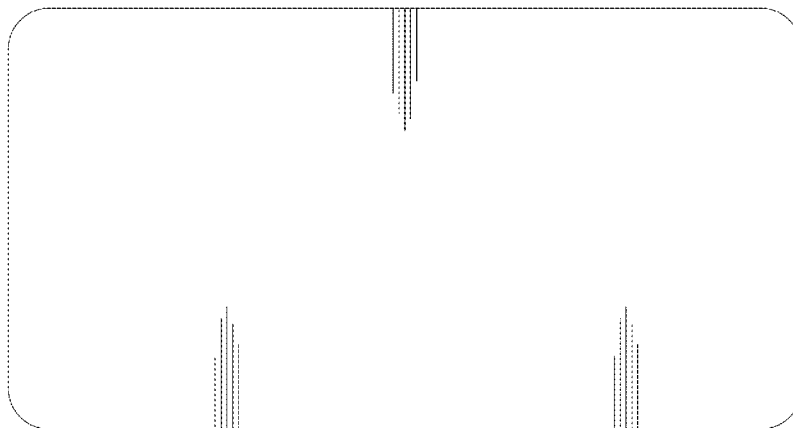
(57) **CLAIM**
The ornamental design for a router, as shown and described.

DESCRIPTION

FIG. 1 is a perspective view of a router showing my design; FIG. 2 is a top plan view thereof; FIG. 3 is a bottom plan view thereof; FIG. 4 is a left view thereof; FIG. 5 is a right view thereof; FIG. 6 is a front view thereof; and FIG. 7 is a rear view thereof; and, FIG. 8 is a perspective view thereof shown in an environment wherein an electronic device is connected. The broken lines in FIG. 8 illustrate unclaimed portions of the router and form no part of the claimed design.

1 Claim, 8 Drawing Sheets

(56) **References Cited**
U.S. PATENT DOCUMENTS
D239,451 S * 4/1976 Scott D14/299
D297,518 S * 9/1988 Yuen D10/106.1
D331,394 S * 12/1992 Kobayashi et al. D14/242



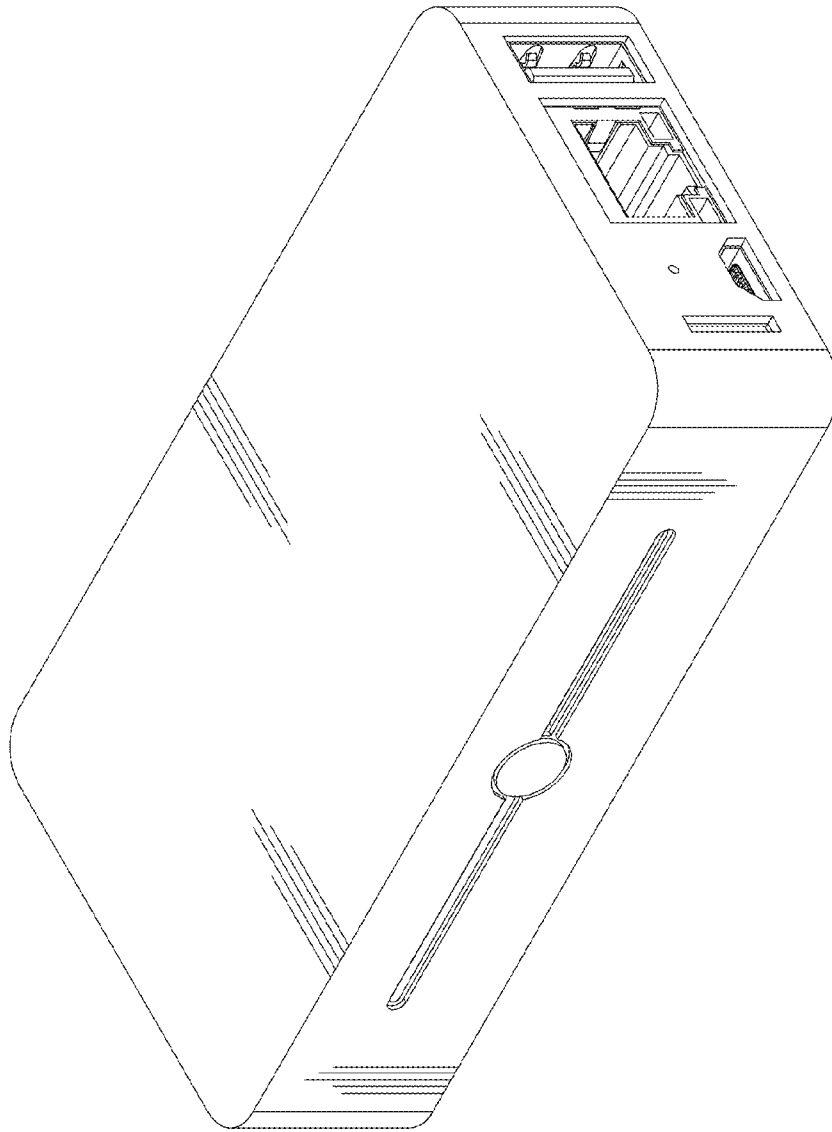


Fig. 1

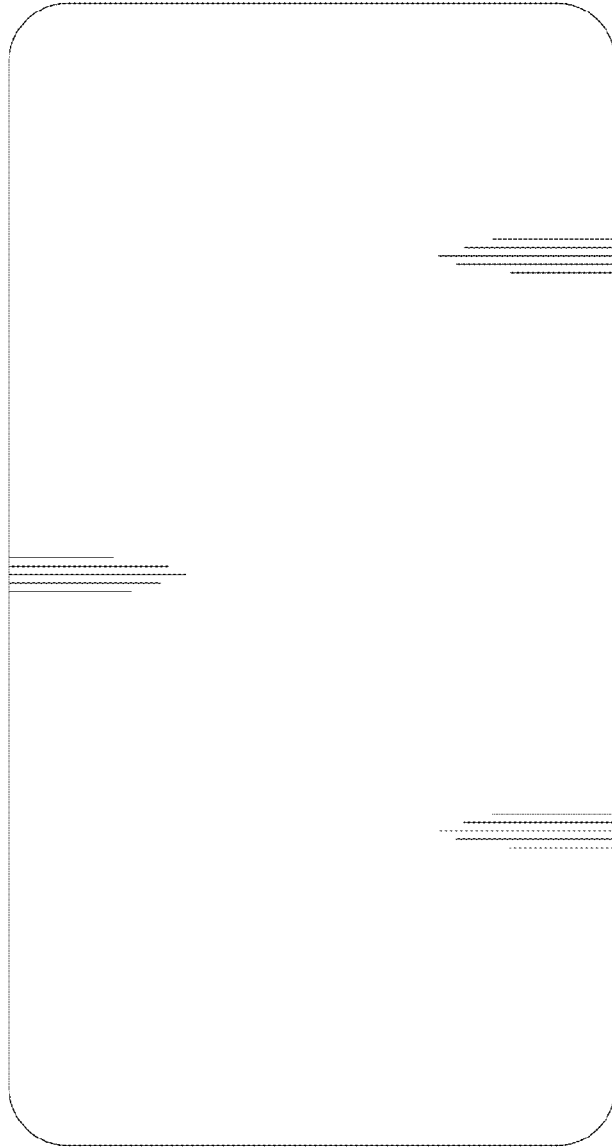


Fig. 2

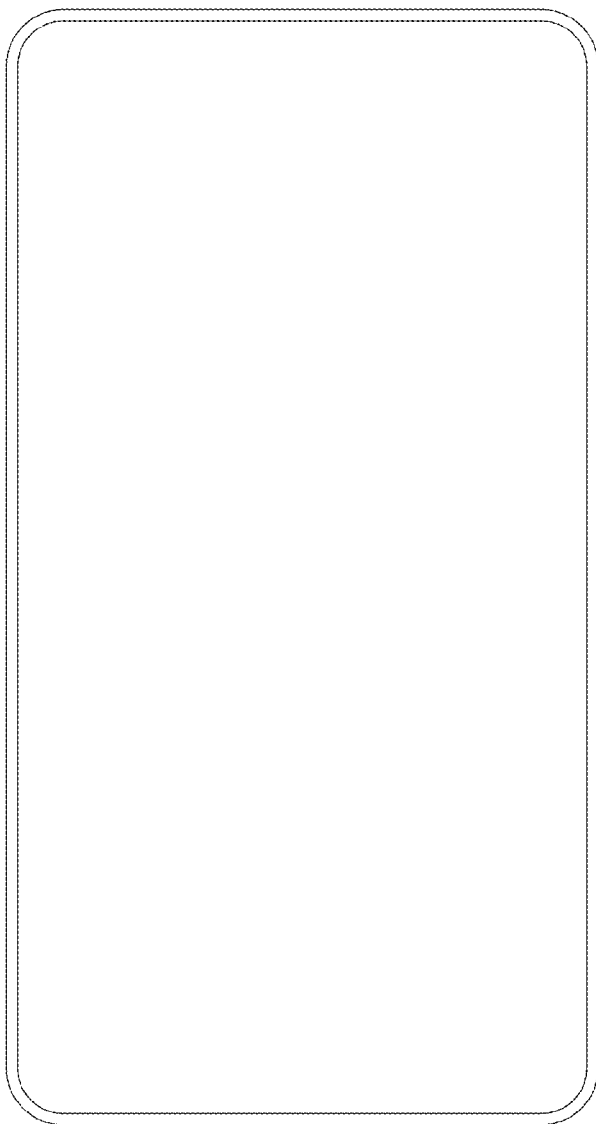


Fig. 3

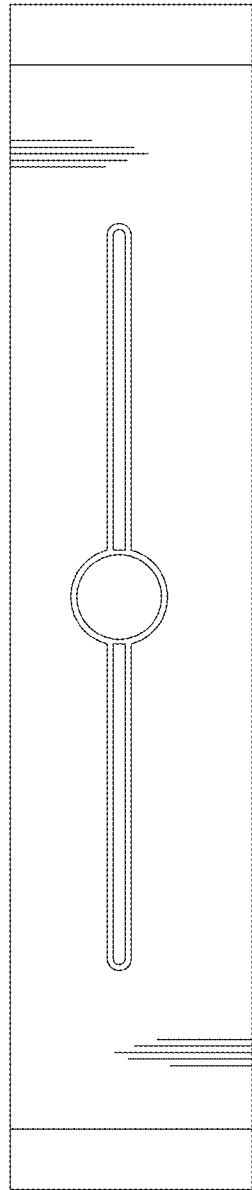


Fig. 4

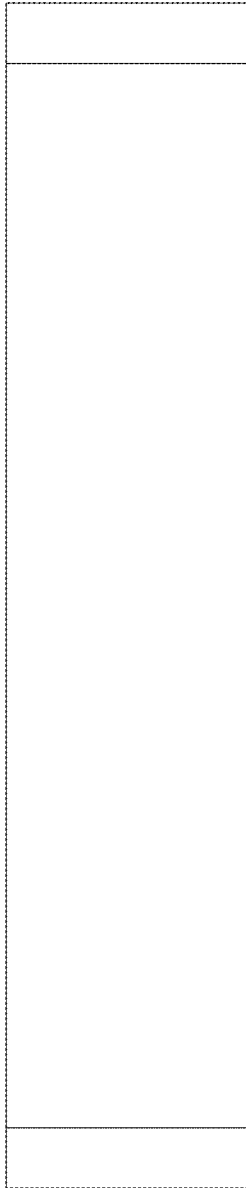


Fig. 5

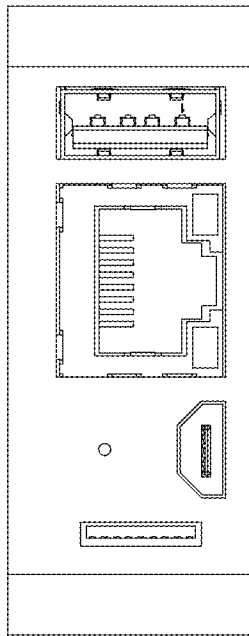


Fig. 6

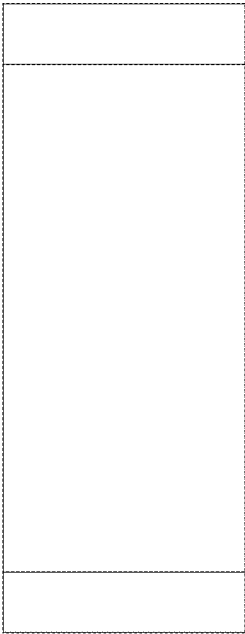


Fig. 7

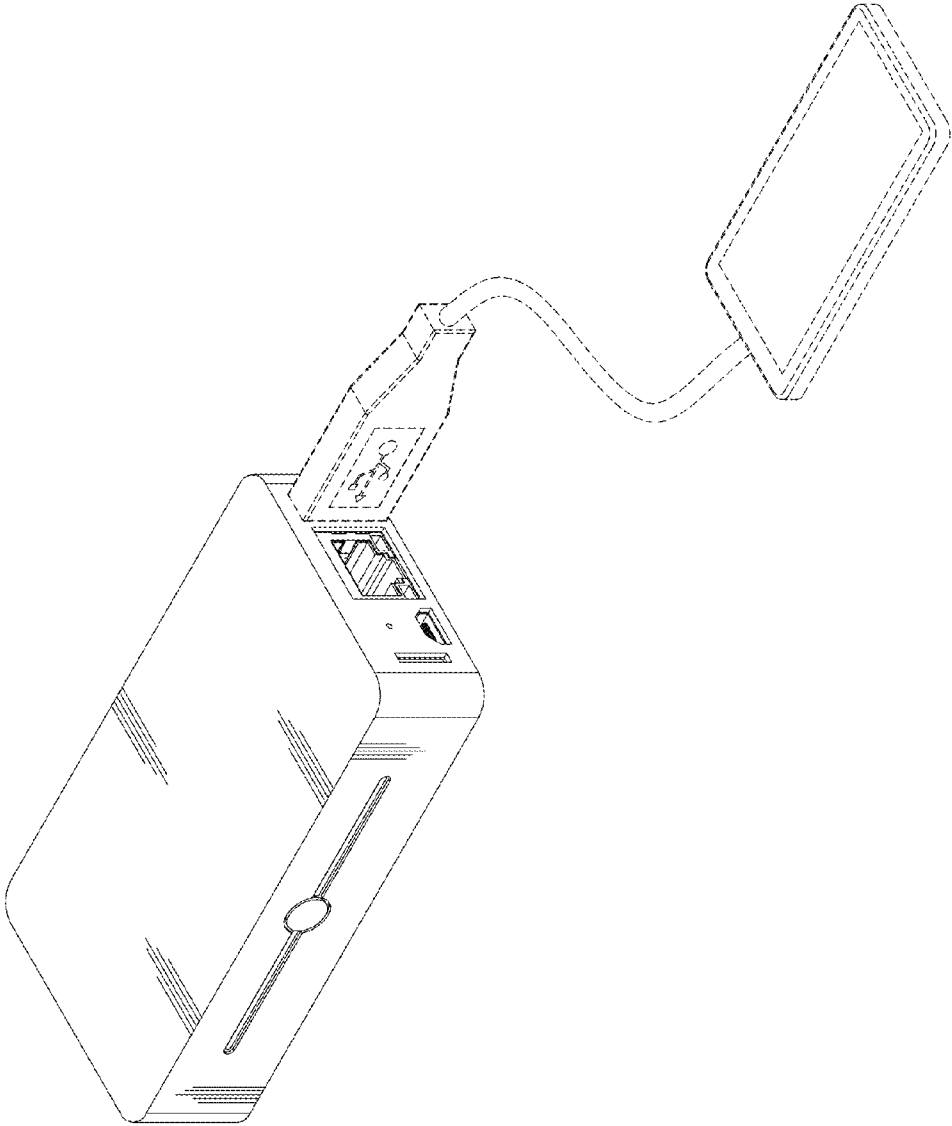


Fig. 8