



US00D889014S

(12) **United States Design Patent**
Yin

(10) **Patent No.:** **US D889,014 S**

(45) **Date of Patent:** **** Jun. 30, 2020**

(54) **WALL LAMP**

(71) Applicant: **Chunming Yin**, Ji'an (CN)

(72) Inventor: **Chunming Yin**, Ji'an (CN)

(**) Term: **15 Years**

(21) Appl. No.: **29/671,414**

(22) Filed: **Nov. 27, 2018**

(30) **Foreign Application Priority Data**

Jun. 12, 2018 (CN) 2018 3 0297516

(51) **LOC (12) Cl.** **26-03**

(52) **U.S. Cl.**
USPC **D26/63**

(58) **Field of Classification Search**
USPC D26/1, 24, 61, 63, 65, 72
CPC F21V 21/14; F21V 15/01; F21V 14/02;
F21V 21/30; F21V 21/00; F21V 14/00;
F21S 8/00; F21S 8/003; F21S 8/043;
F21Y 2105/001

See application file for complete search history.

(56) **References Cited**

U.S. PATENT DOCUMENTS

D254,575 S * 3/1980 Strignano D26/63
D581,572 S * 11/2008 Levine D26/63

D636,105 S * 4/2011 Gielen D26/63
D664,698 S * 7/2012 Meise D26/72
D697,650 S * 1/2014 Maxik D26/63
D753,328 S * 4/2016 Mathews D26/63
D812,279 S * 3/2018 Price D26/63

* cited by examiner

Primary Examiner — Brian N. Vinson

(74) *Attorney, Agent, or Firm* — Tony Hom, Esq.

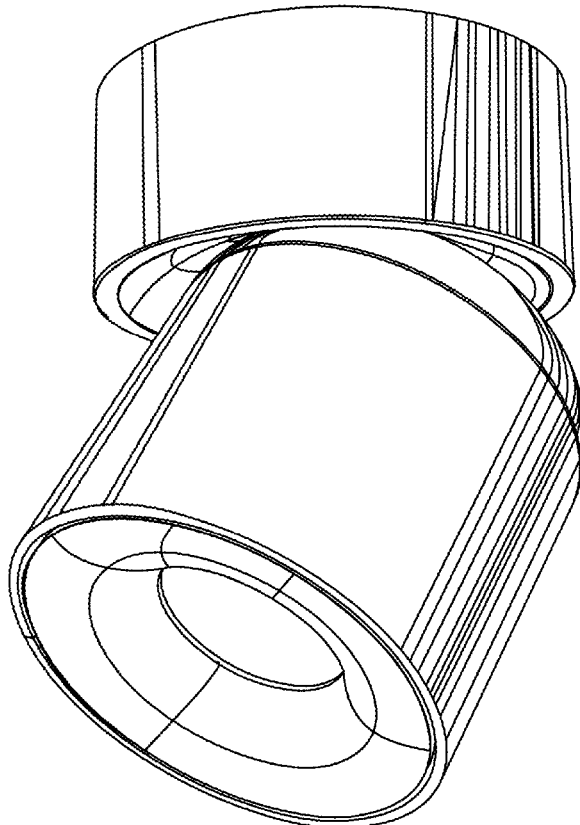
(57) **CLAIM**

The ornamental design for a wall lamp, as shown and described.

DESCRIPTION

FIG. 1 is a Perspective view of a wall lamp showing my new design;
FIG. 2 is a Front elevational view thereof;
FIG. 3 is a Rear elevational view thereof;
FIG. 4 is a Right side view thereof;
FIG. 5 is a Left side view thereof;
FIG. 6 is a Top plan view thereof;
FIG. 7 is a Bottom plan view thereof; and,
FIG. 8 is another perspective view(from bottom side) thereof.

1 Claim, 8 Drawing Sheets



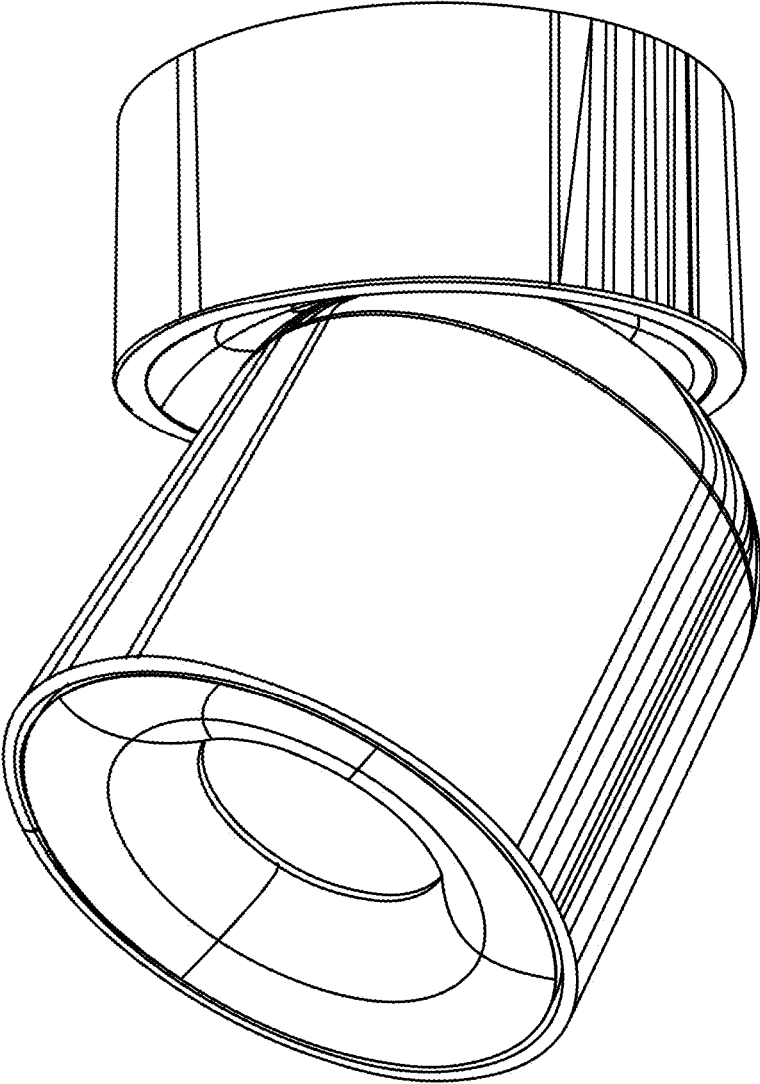


Fig. 1

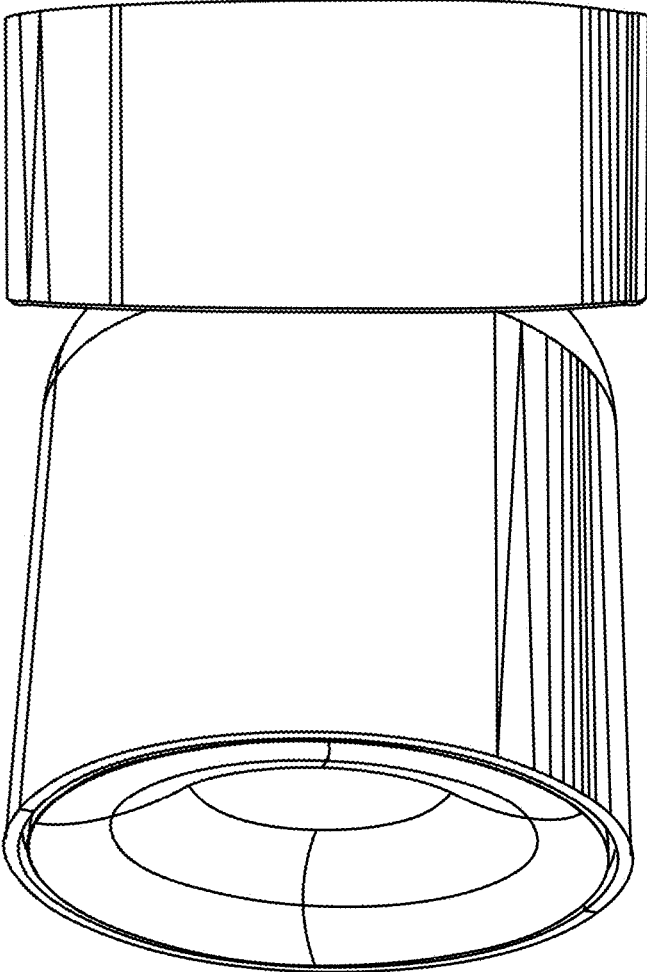


Fig. 2

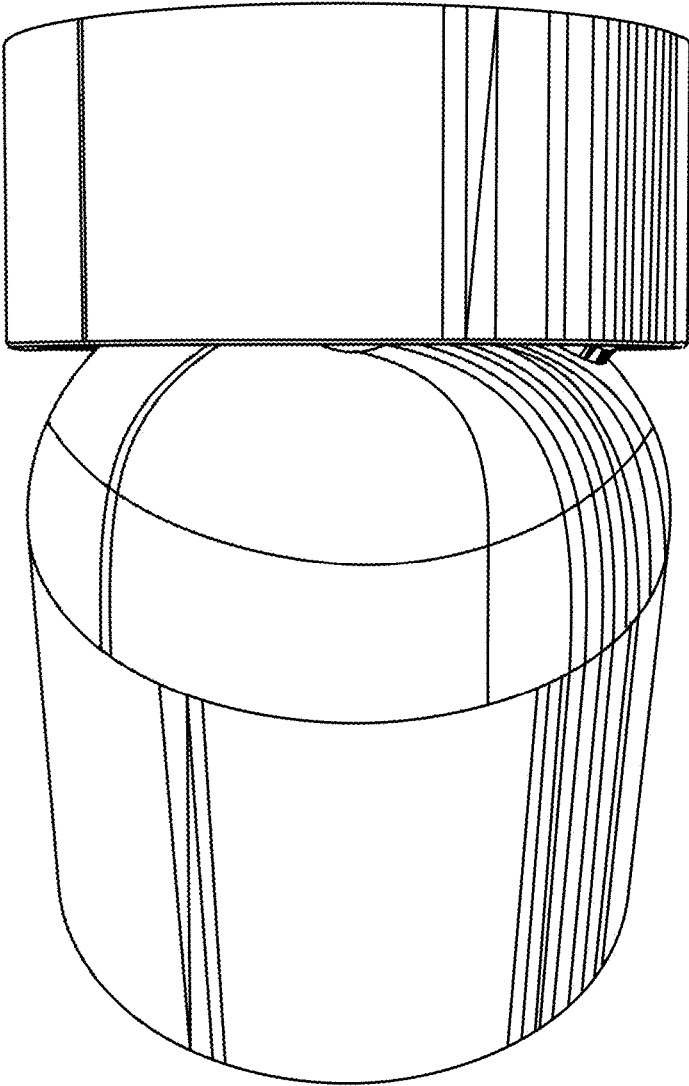


Fig. 3

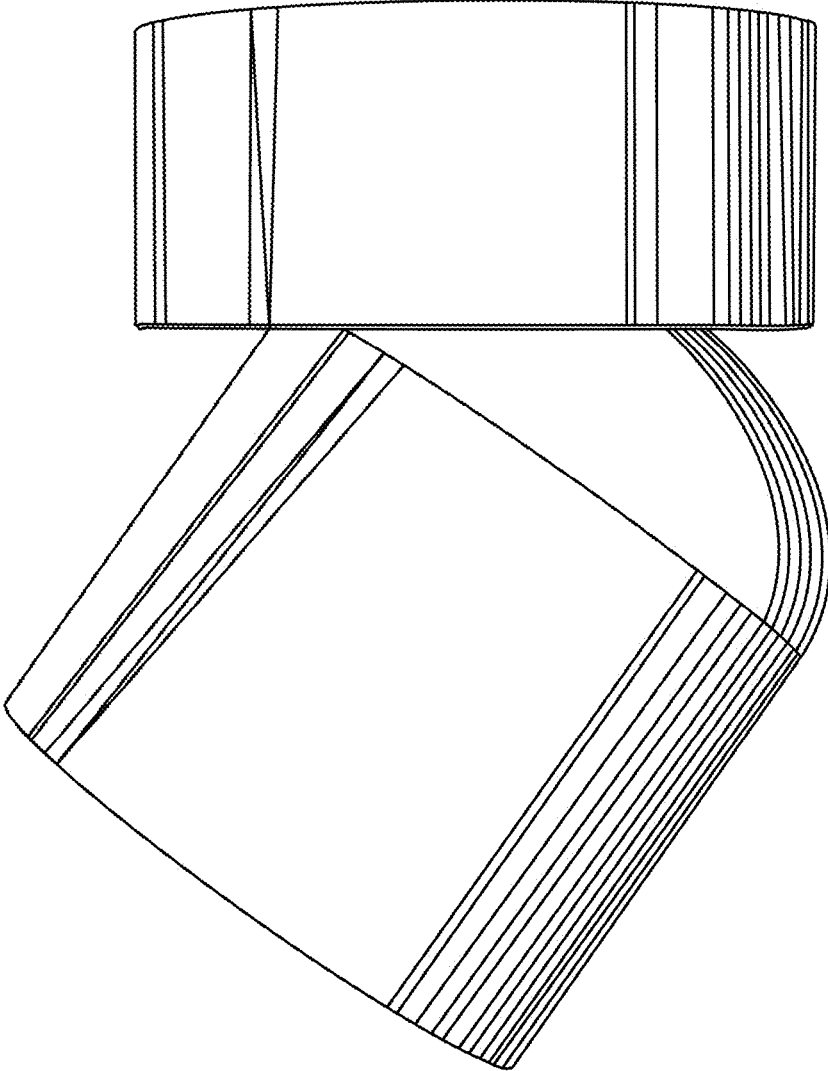


Fig. 4

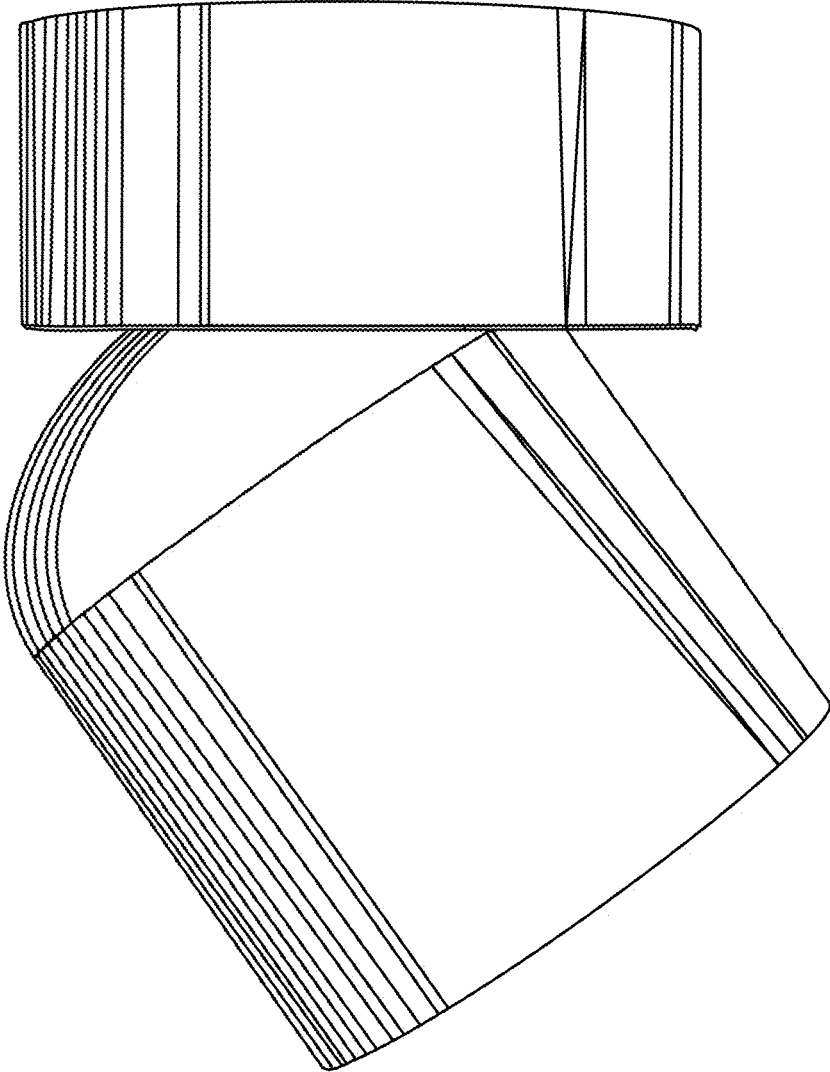


Fig. 5

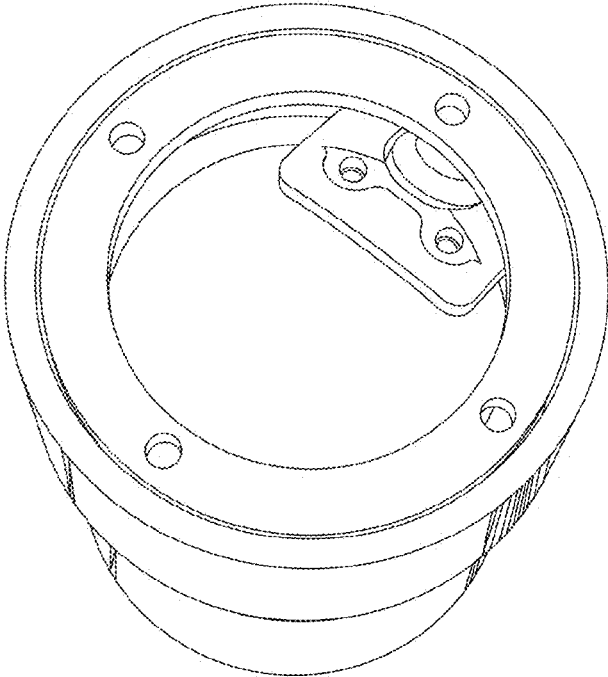


Fig. 6

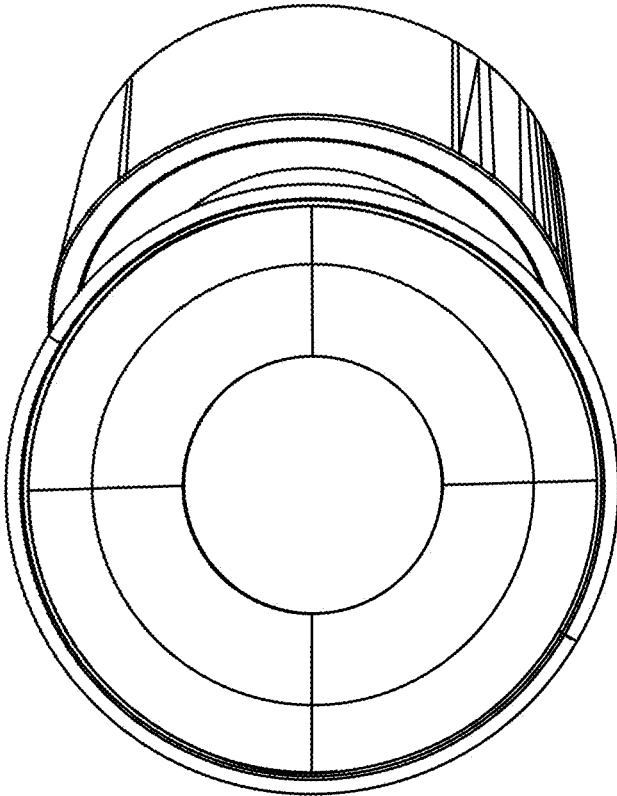


Fig. 7

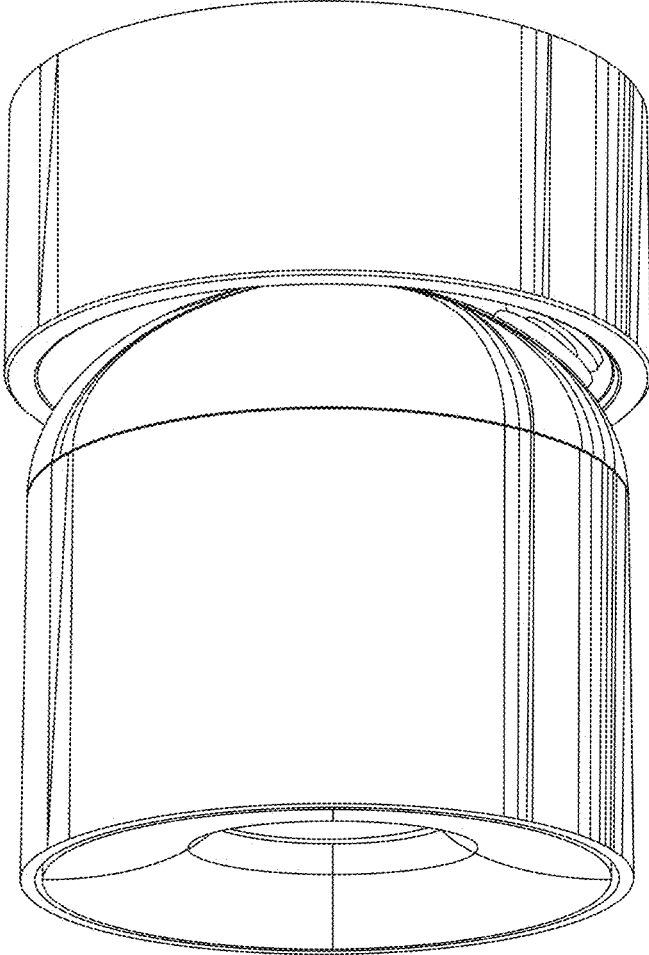


Fig. 8