



US00D753848S

(12) **United States Design Patent**
Gori et al.

(10) **Patent No.:** **US D753,848 S**

(45) **Date of Patent:** **** Apr. 12, 2016**

(54) **CORNER BOARD**

(71) Applicants: **Michael Gori**, Evanston, IL (US); **Ben Bainter**, Palatine, IL (US)

(72) Inventors: **Michael Gori**, Evanston, IL (US); **Ben Bainter**, Palatine, IL (US)

(73) Assignee: **CPG International LLC**, Skokie, IL (US)

(**) Term: **14 Years**

(21) Appl. No.: **29/520,231**

(22) Filed: **Mar. 12, 2015**

(51) **LOC (10) Cl.** **25-01**

(52) **U.S. Cl.**

USPC **D25/119**

(58) **Field of Classification Search**

USPC D6/509; D25/52, 60, 119, 122-125;
D26/138; 49/501; 52/287.1, 716.1,
52/716.8, 718.04

CPC E06B 1/32; E06B 1/36; E06B 1/62;
E06B 1/70; E06B 3/72; E06B 2003/7069;
E06B 2003/7082

See application file for complete search history.

(56) **References Cited**

U.S. PATENT DOCUMENTS

5,542,222	A	8/1996	Wilson et al.	
5,974,748	A	11/1999	Sciuga et al.	
D425,215	S *	5/2000	Ginzel	D25/119
6,341,458	B1	1/2002	Burt	
D472,333	S	3/2003	Shaw	
6,553,732	B2	4/2003	Shaw	
D482,460	S *	11/2003	Knapp	D25/119
D486,589	S *	2/2004	Knapp	D25/119
D486,590	S *	2/2004	Knapp	D25/119
D512,164	S *	11/2005	Schrader	D25/119

7,127,869	B2	10/2006	Perry	
D557,430	S *	12/2007	Hansen	D25/121
D573,723	S *	7/2008	Vibiano	D25/136
D574,513	S *	8/2008	Vibiano	D25/136
D577,131	S *	9/2008	Cole	D25/119
D587,818	S *	3/2009	Schrader	D25/119
7,654,050	B2	2/2010	Justice	
D640,801	S *	6/2011	Wickland	D25/119
D661,524	S *	6/2012	Watts	D25/119
D705,447	S *	5/2014	Chrien	D25/119
D710,032	S *	7/2014	Chrien	D25/119
D730,276	S *	5/2015	Wang	D13/102
2009/0038247	A1	2/2009	Taylor et al.	
2013/0219784	A1 *	8/2013	Larsen	A01G 1/08 47/33
2015/0000219	A1	1/2015	Yarmo	

* cited by examiner

Primary Examiner — Manpreet Matharu

Assistant Examiner — Aula Soroush

(74) *Attorney, Agent, or Firm* — Buchanan Ingersoll & Rooney PC

(57) **CLAIM**

The ornamental design for a corner board, as shown and described.

DESCRIPTION

FIG. 1 is a rear perspective view of a corner board showing our new design;

FIG. 2 is a rear elevational view thereof;

FIG. 3 is a front elevational view thereof;

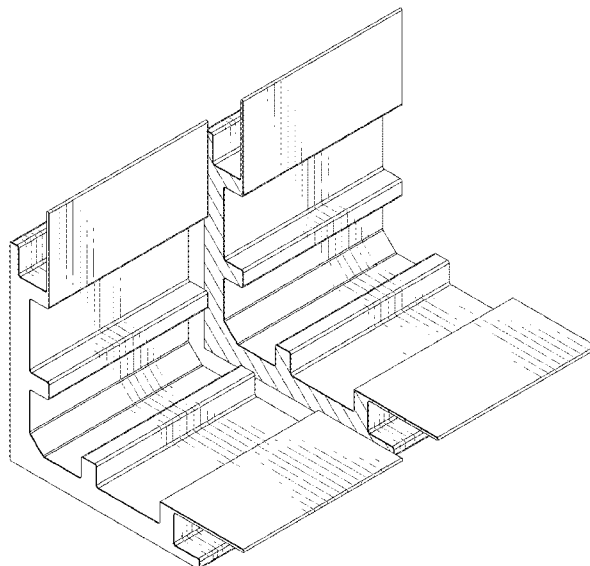
FIG. 4 is a left side view thereof, the right side view being a mirror image thereof;

FIG. 5 is a top plan view thereof; and,

FIG. 6 is a bottom plan view thereof.

The corner board is shown with a symbolic break in its length. The appearance of any portion of the corner board between the break lines forms no part of the claimed design.

1 Claim, 4 Drawing Sheets



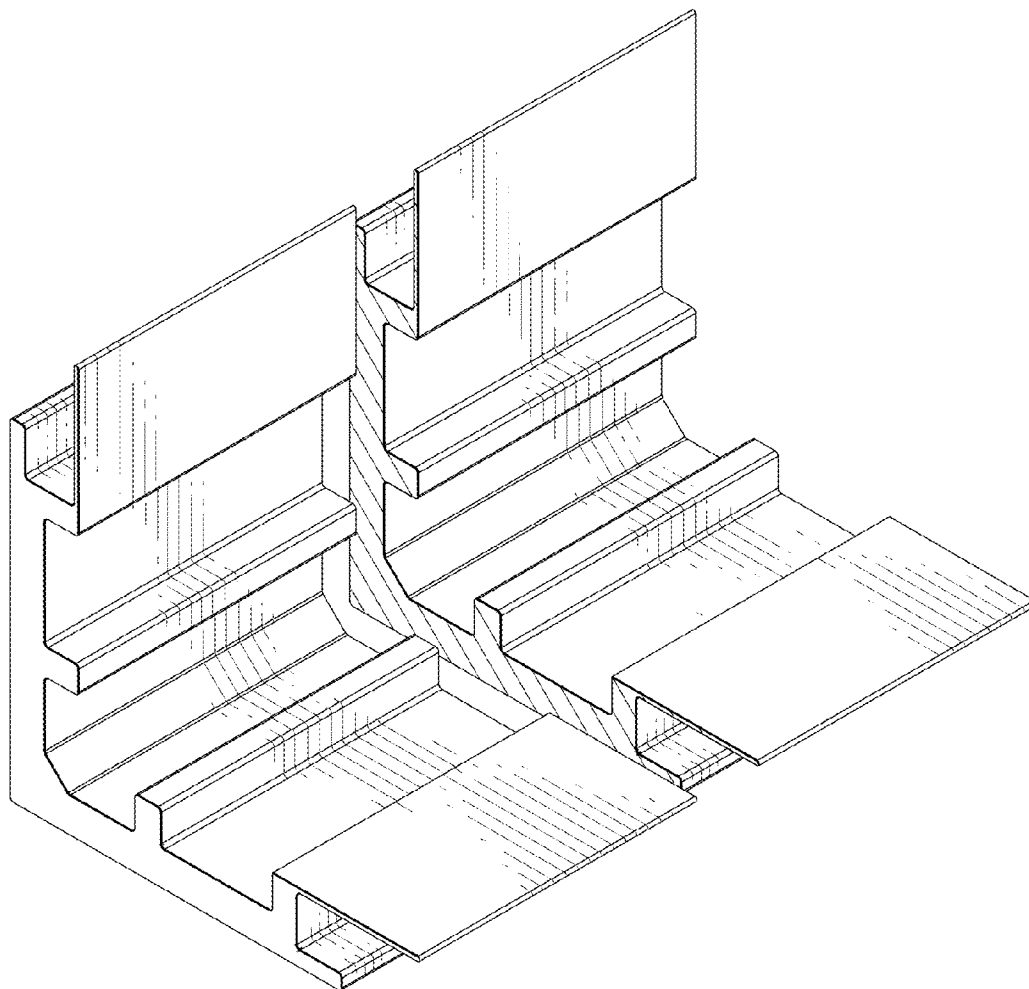


FIG. 1

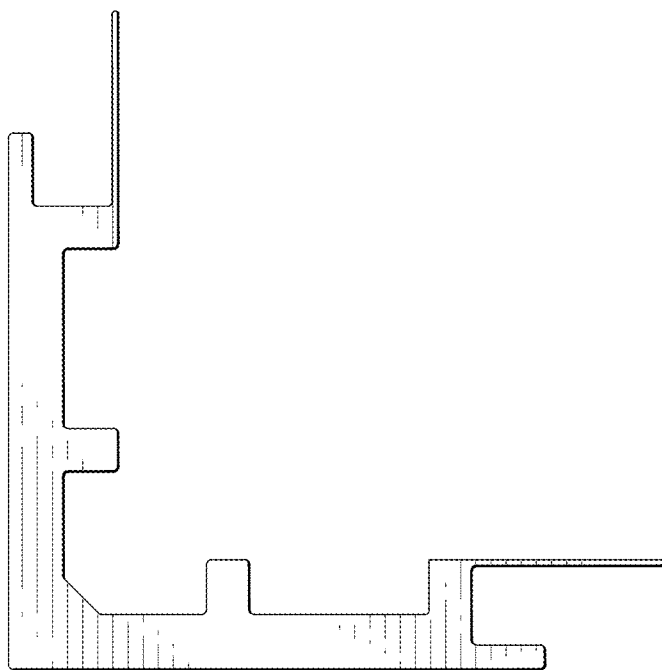


FIG. 2

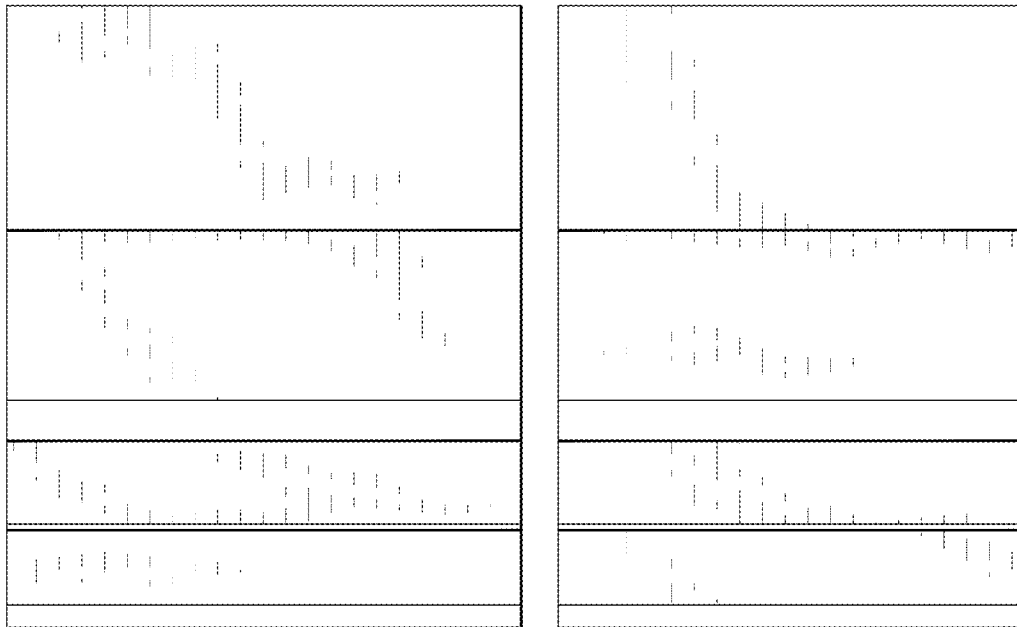


FIG. 3

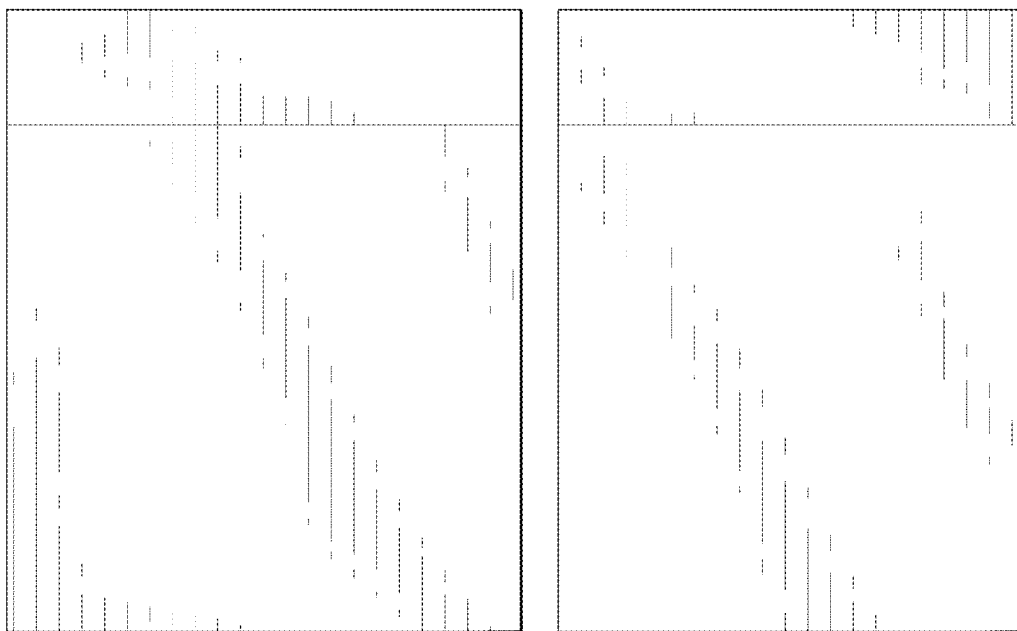


FIG. 4

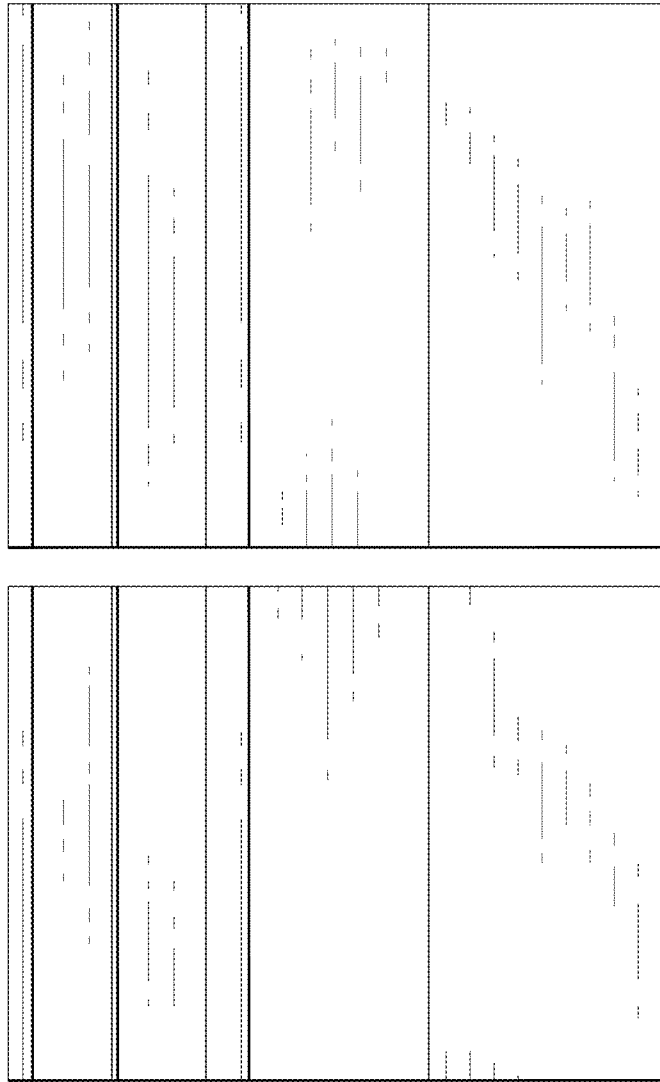


FIG. 5