



US00D591083S

(12) **United States Design Patent**
Singler et al.

(10) **Patent No.:** **US D591,083 S**

(45) **Date of Patent:** **** Apr. 28, 2009**

(54) **DISPLAY STRUCTURE**

(75) Inventors: **Ronald David Singler**, Seattle, WA
(US); **Christian John Jochman**, Seattle,
WA (US)

(73) Assignee: **Microsoft Corporation**, Redmond, WA
(US)

(**) Term: **14 Years**

(21) Appl. No.: **29/320,548**

(22) Filed: **Jun. 27, 2008**

(51) **LOC (9) Cl.** **06-04**

(52) **U.S. Cl.** **D6/449**; D6/396

(58) **Field of Classification Search** D6/396,
D6/397, 449, 420, 426, 422, 436, 433, 480;
482/142; D21/385

See application file for complete search history.

(56) **References Cited**

U.S. PATENT DOCUMENTS

D233,971 S *	12/1974	Hodges	D6/420
D270,217 S *	8/1983	Daventry	D6/480
D281,746 S *	12/1985	Koguma	D6/426
D429,087 S *	8/2000	Gilbert	D6/422
D454,443 S *	3/2002	Nored	D6/422
D463,161 S *	9/2002	Nored	D6/422

D553,878 S *	10/2007	Edison et al.	D6/436
7,311,642 B2 *	12/2007	Li et al.	482/142
D567,536 S *	4/2008	Paterson	D6/436
D568,630 S *	5/2008	Paterson	D6/436
D570,422 S *	6/2008	Beirne et al.	D21/385

* cited by examiner

Primary Examiner—Caron Veynar

Assistant Examiner—Sydney R Buffalow

(74) *Attorney, Agent, or Firm*—Banner & Witcoff, Ltd.

(57) **CLAIM**

The ornamental design for a display structure, as shown and described.

DESCRIPTION

FIG. 1 is a front perspective view of the display structure showing the new design;

FIG. 2 is a front view thereof;

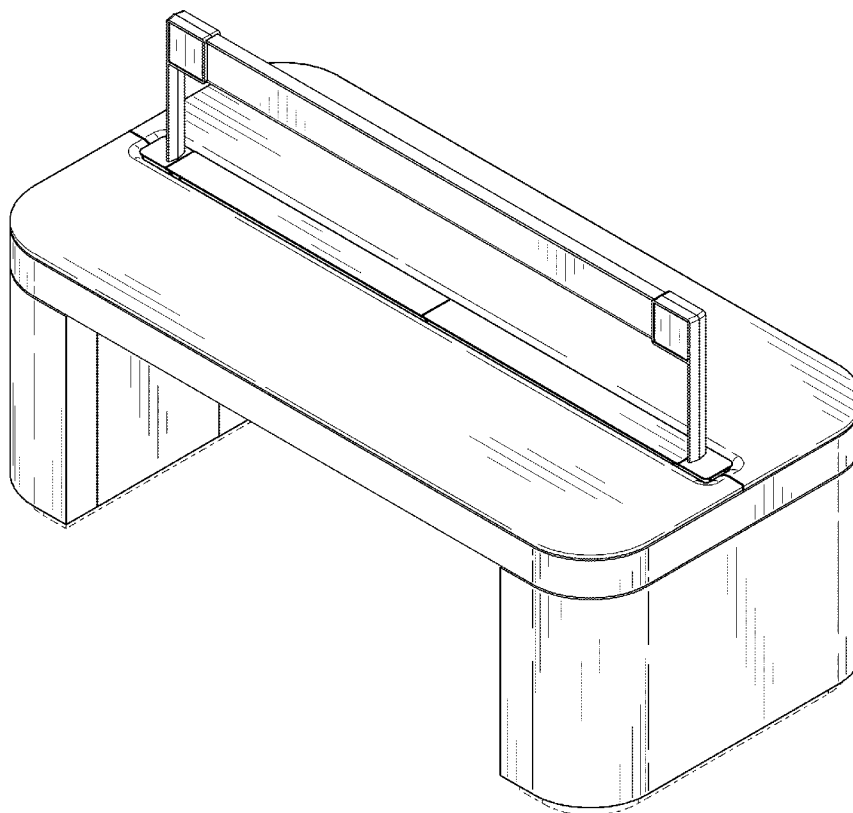
FIG. 3 is a right side view thereof;

FIG. 4 is a left side view thereof; and,

FIG. 5 is a top view thereof.

The broken line showing of various regions and the unshaded areas there within are for illustrative purposes only and forms no part of the claimed design.

1 Claim, 5 Drawing Sheets



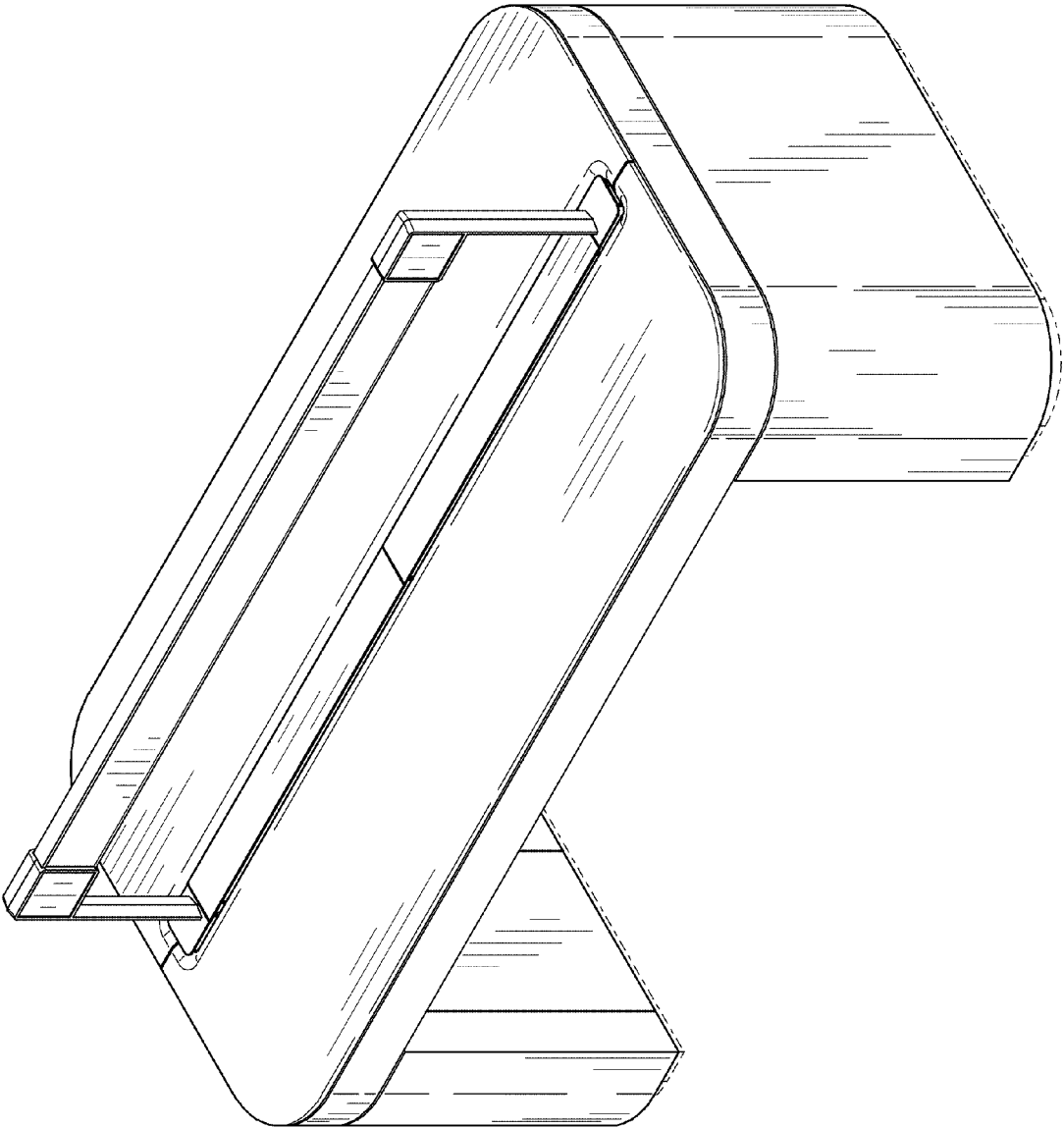


FIG. 1

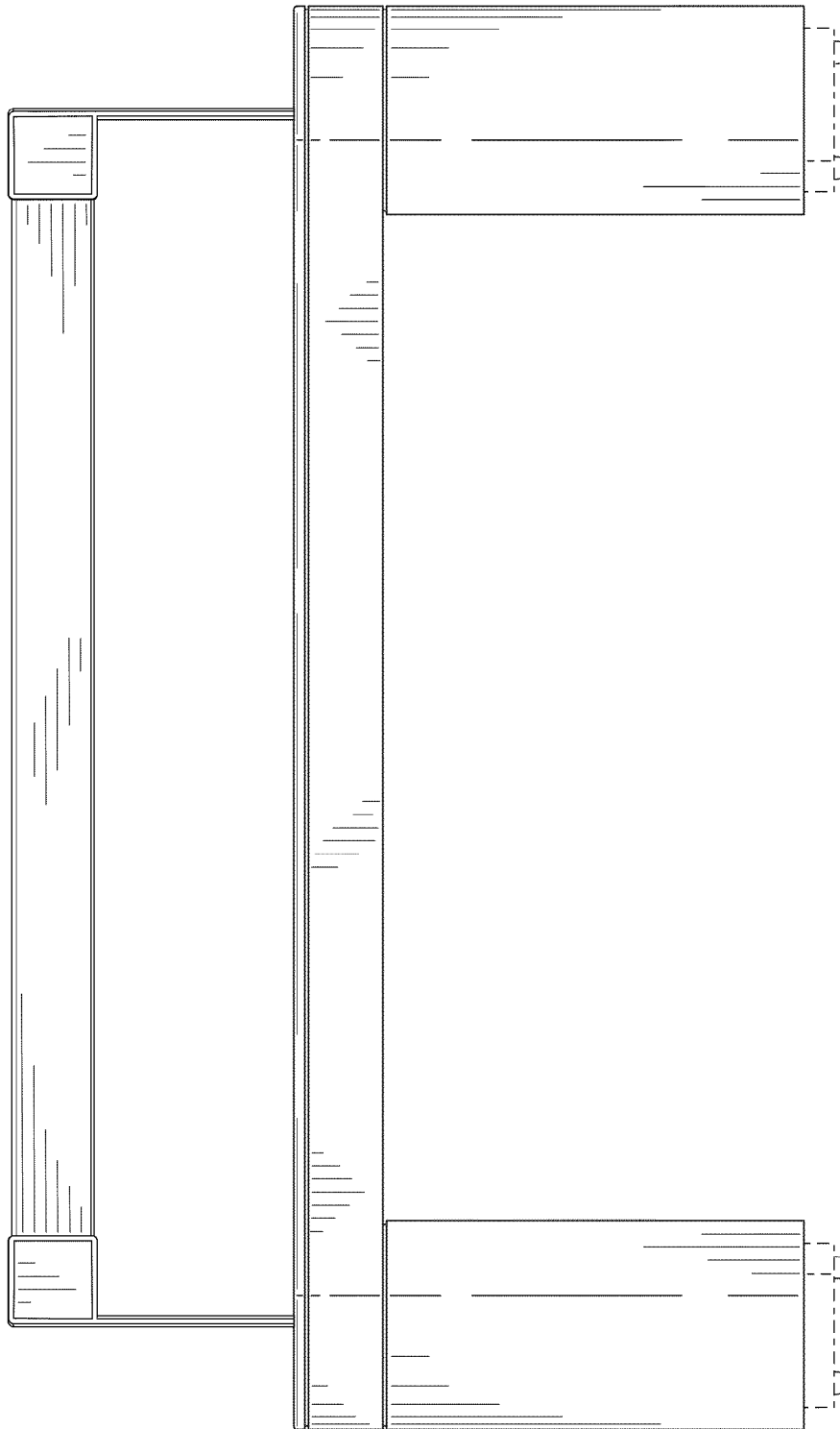


FIG. 2



FIG. 3



FIG. 4

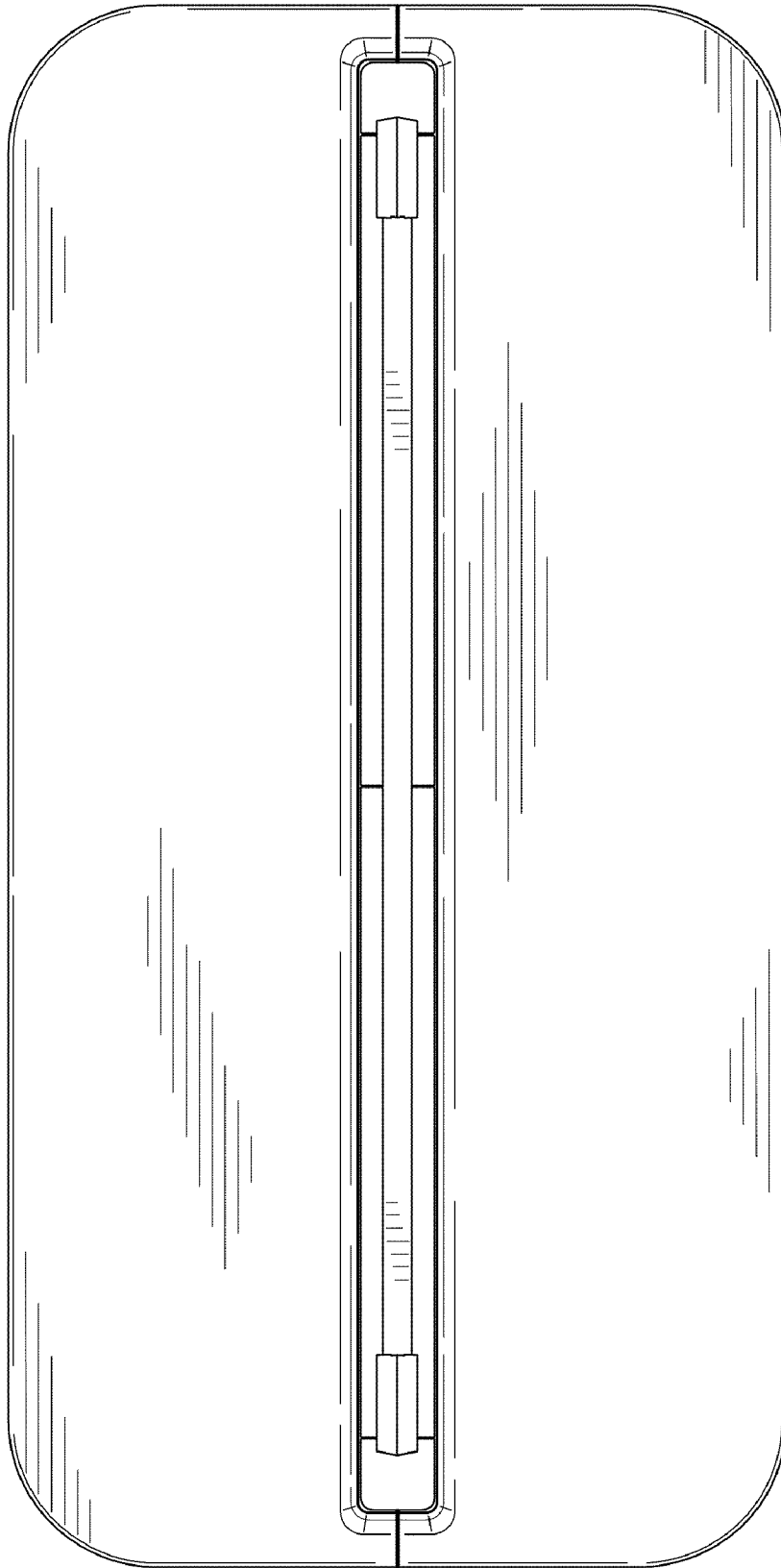


FIG. 5