



(12) **United States Design Patent**
Flynn et al.

(10) **Patent No.:** **US D996,069 S**
(45) **Date of Patent:** **** Aug. 22, 2023**

(54) **STAND**
(71) Applicant: **Nupur, LLC**, Baltimore, MD (US)
(72) Inventors: **Nupur Parekh Flynn**, Baltimore, MD (US); **Jennifer Ann Ewing**, Baltimore, MD (US); **Jeremy Asher Higgins**, Baltimore, MD (US); **Douglas Pemberton**, Baltimore, MD (US); **Joshua Barnes**, Kansas City, OK (US)

1,154,692 A 9/1915 Dehullu
1,270,730 A 6/1918 Haydon
1,445,566 A 2/1923 Stoll
2,167,342 A 7/1939 York
2,233,202 A 2/1941 Finch
2,311,798 A 2/1943 Weber
(Continued)

(73) Assignee: **Nupur, LLC**, Baltimore, MD (US)
(**) Term: **15 Years**

FOREIGN PATENT DOCUMENTS

AM 0494 9/2017
CN 2220774 Y 2/1996
(Continued)

(21) Appl. No.: **29/776,462**

(22) Filed: **Mar. 30, 2021**

OTHER PUBLICATIONS

Written Opinion cited in Application No. PCT/US2020/053494 dated Jan. 5, 2021.
(Continued)

(51) **LOC (14) Cl.** **06-03**
(52) **U.S. Cl.**
USPC **D6/329**

(58) **Field of Classification Search**
USPC D6/559-561, 663, 664, 671.2, 699, 672, D6/673, 675, 684, 691, 669, 703; D21/686; D34/17-21, 78; D14/302, 305, D14/308, 314, 900; D3/304, 203.1, 295, D3/297; D23/286; D24/227-230; 361/679.02, 679.01, 679.08; D12/174, D12/114, 121, 125, 180, 415, 424
CPC A47B 2097/005; A47B 2097/006; A47B 67/04; A47B 67/00; A47B 81/00; A47B 81/06; A47B 81/067; A47B 81/002; A47B 77/00; A47B 77/02; A47B 87/008; A47B 96/00; A47B 96/16; A47B 96/18; A47F 3/00; A47F 3/08; A47F 3/007; A47F 5/0018; A47F 5/00; A47F 5/0043; A47F 5/10

See application file for complete search history.

Primary Examiner — Abraham Bahta
(74) *Attorney, Agent, or Firm* — DLA Piper LLP (US)

(57) **CLAIM**

The ornamental design for a stand, as shown and described.

DESCRIPTION

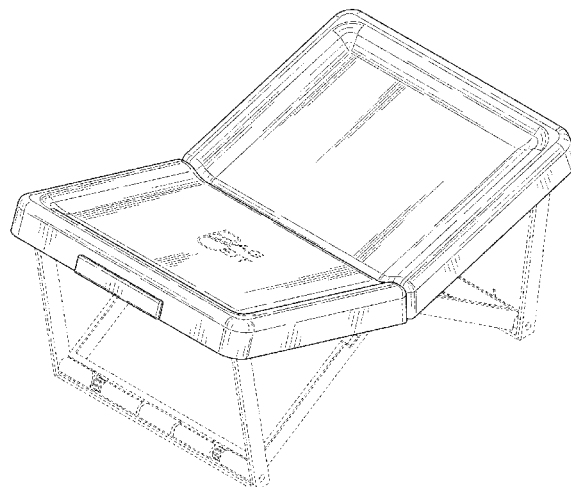
FIG. 1 is a top perspective view of a first embodiment of the invention.
FIG. 2 is a right side view thereof.
FIG. 3 is a left side view thereof.
FIG. 4 is a front view thereof.
FIG. 5 is a back view thereof.
FIG. 6 is a top view thereof.
FIG. 7 is a bottom view thereof; and,
FIG. 8 is a bottom perspective view thereof.
The broken lines in the drawings represent unclaimed subject matter and form no part of the claim.

(56) **References Cited**

U.S. PATENT DOCUMENTS

875,195 A 12/1907 Loftin
984,529 A 2/1911 Bereman

1 Claim, 7 Drawing Sheets



(56)

References Cited

U.S. PATENT DOCUMENTS

2,406,237 A 8/1946 Milkoff
 2,709,631 A 5/1955 Covucci
 2,762,554 A 9/1956 Burman
 2,817,567 A 12/1957 Shepherdson
 2,862,777 A 12/1958 Paige
 3,227,106 A 1/1966 Waddell
 3,368,504 A 2/1968 Cohen
 3,476,456 A 11/1969 Canavan
 3,554,141 A 1/1971 Burr
 D286,479 S 11/1986 Marchesini
 4,790,416 A 12/1988 Baker
 D306,100 S 2/1990 Wende
 5,067,417 A 11/1991 Marmentini et al.
 6,148,895 A 11/2000 Biggers
 6,454,357 B1 9/2002 Foulger
 7,805,784 B2 10/2010 Lemire et al.
 8,188,410 B2 5/2012 Dean et al.
 8,490,551 B1 7/2013 Wagner et al.
 D743,491 S 11/2015 Fissell et al.
 D797,479 S 9/2017 Manea
 D809,070 S 1/2018 Fissell et al.
 D844,353 S 4/2019 Horowitz
 D909,786 S * 2/2021 Wavomba D6/406.6
 11,058,215 B2 7/2021 Flynn et al.
 D936,997 S 11/2021 Li
 D942,192 S * 2/2022 Lundin D6/686
 D948,725 S 4/2022 Yun et al.
 D970,939 S 11/2022 Li
 2005/0031148 A1 2/2005 McNary
 2005/0235886 A1 10/2005 Koning et al.
 2005/0247243 A1 11/2005 Laws et al.
 2005/0263045 A1 12/2005 Lietuviotis
 2009/0277320 A1 11/2009 Wallis

2010/0089407 A1 4/2010 Gardner et al.
 2011/0155021 A1 6/2011 Geitner
 2012/0042809 A1 2/2012 Emsley
 2015/0083522 A1 3/2015 Chancler

FOREIGN PATENT DOCUMENTS

CN 201691470 U 1/2011
 CN 204241428 U 4/2015
 CN 104970566 A 10/2015
 CN 208582368 U 3/2019
 RU 147562 11/2014
 WO WO2021067409 4/2021

OTHER PUBLICATIONS

International Search Report cited in Application No. PCT/US2020/053494 dated Jan. 5, 2021.
 Canadian Office Action cited in Application No. 3,156,234 dated Jul. 20, 2022.
 International Search Report cited in Application No. PCT/US2021/073134 dated Apr. 7, 2022.
 Written Opinion cited in Application No. PCT/US2021/073134 dated Apr. 7, 2022.
 Design U.S. Appl. No. 29/734,515, Jan. 4, 2023.
 Design U.S. Appl. No. 29/747,612, Jan. 4, 2023.
 Design U.S. Appl. No. 17/355,993, Jan. 4, 2023.
 Design U.S. Appl. No. 29/734,515.
 Design U.S. Appl. No. 29/747,612.
 Design U.S. Appl. No. 17/355,993.
 Office Action for Chinese Patent Application No. 202080069068.9, dated May 11, 2023, 8 Pages.

* cited by examiner

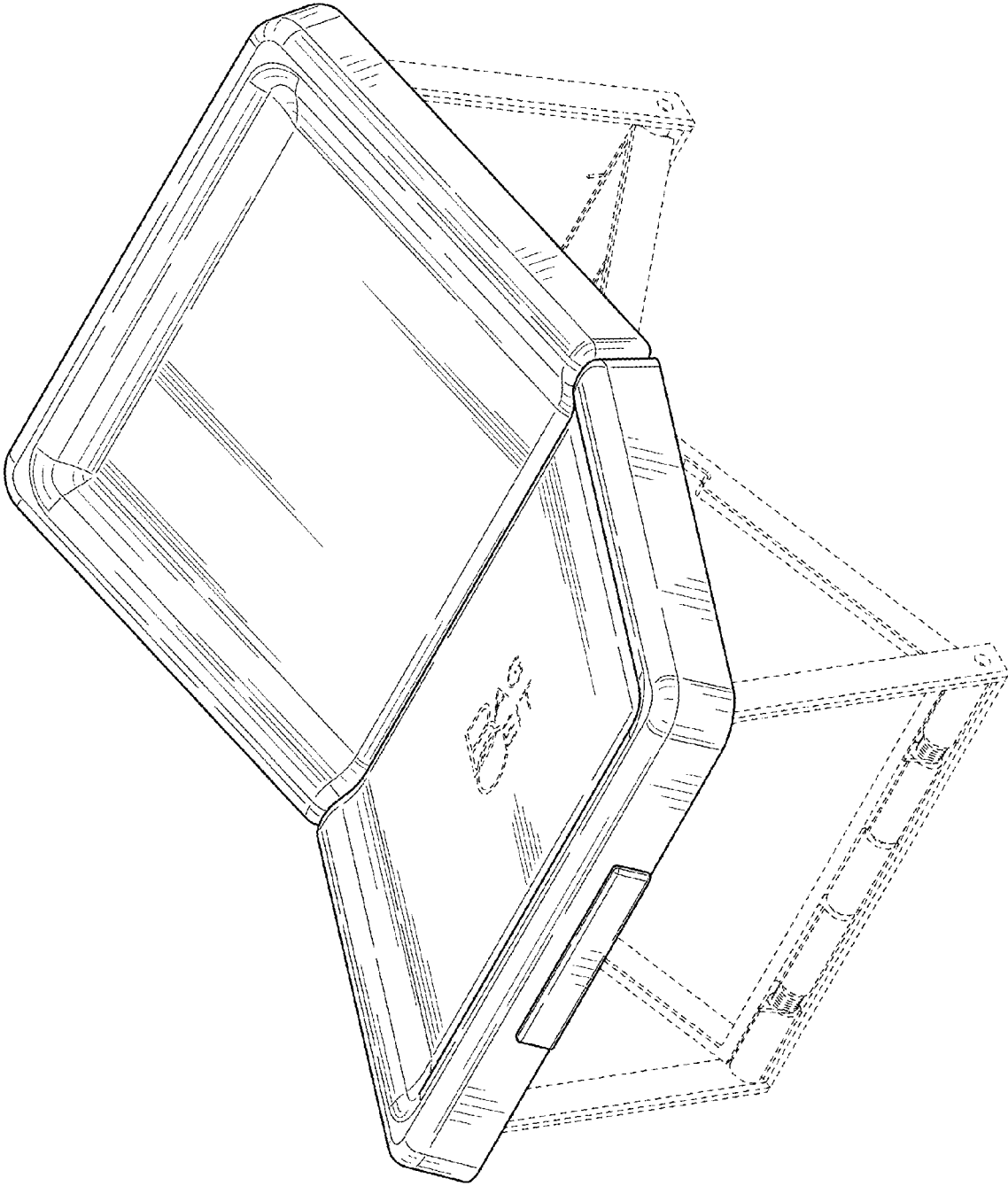


FIG. 1

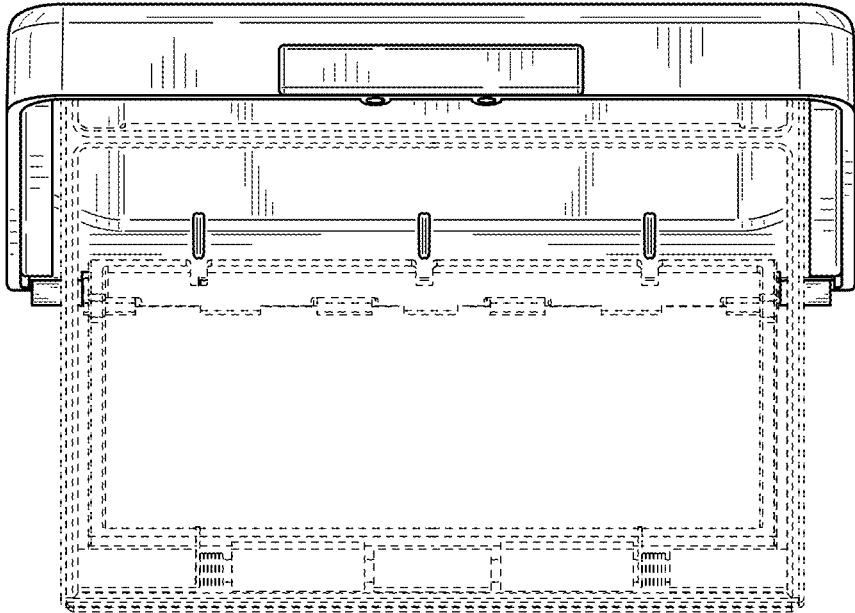


FIG. 2

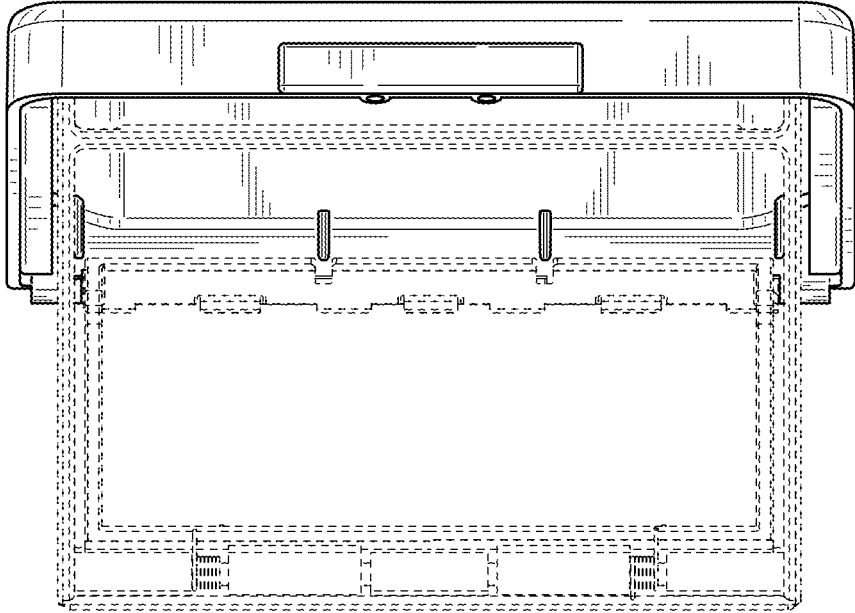


FIG. 3

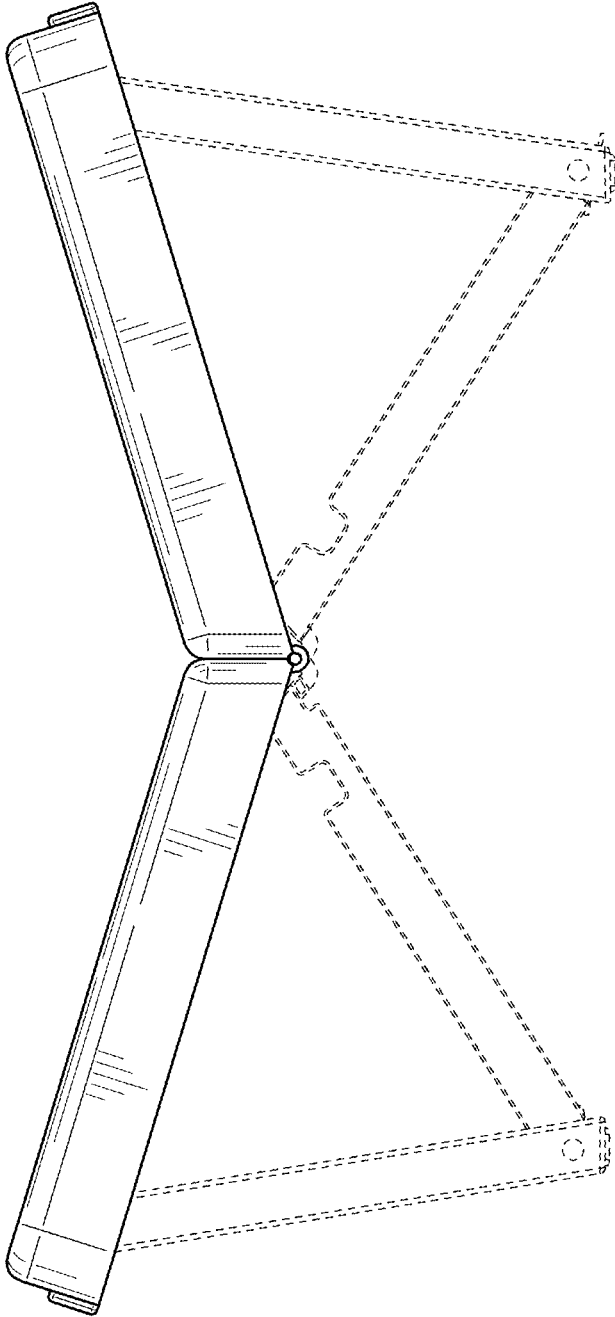


FIG. 4

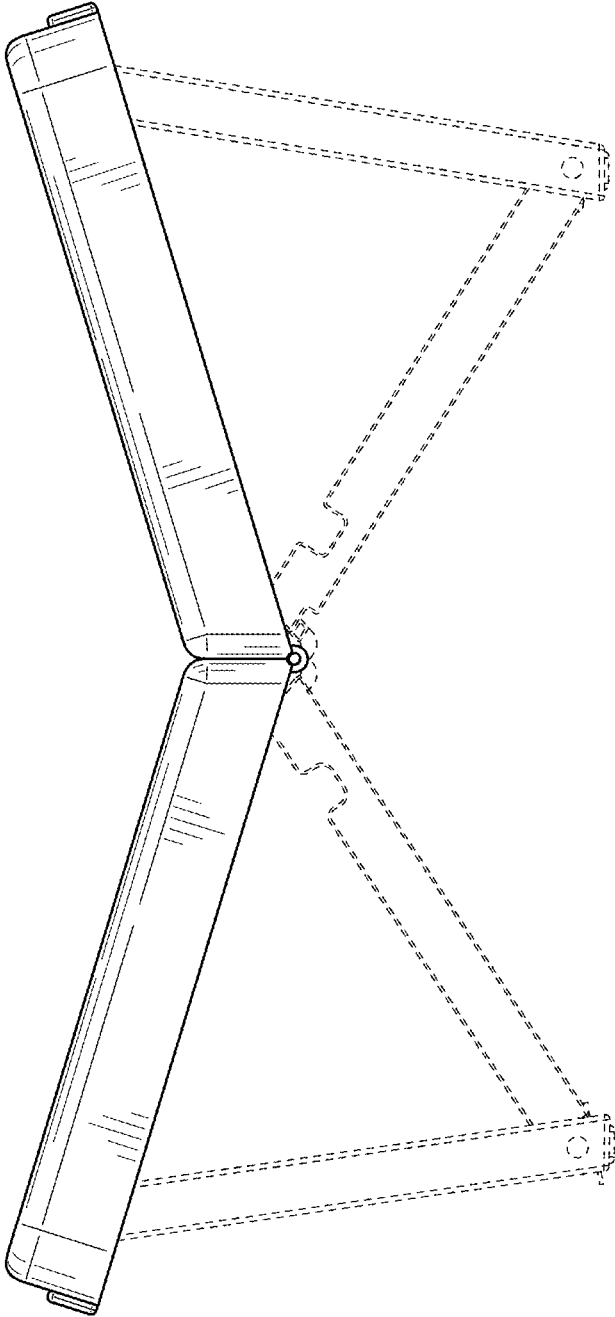


FIG. 5

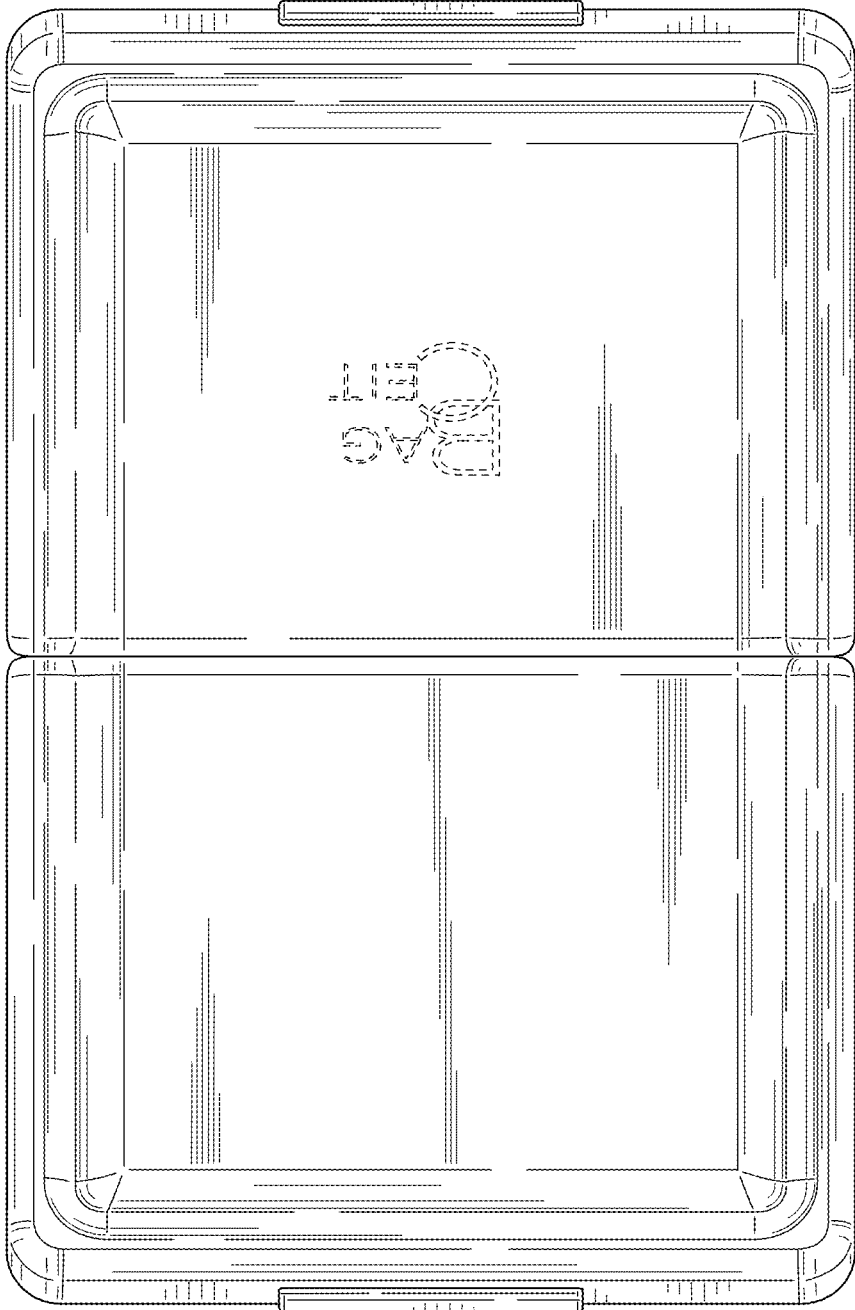


FIG. 6

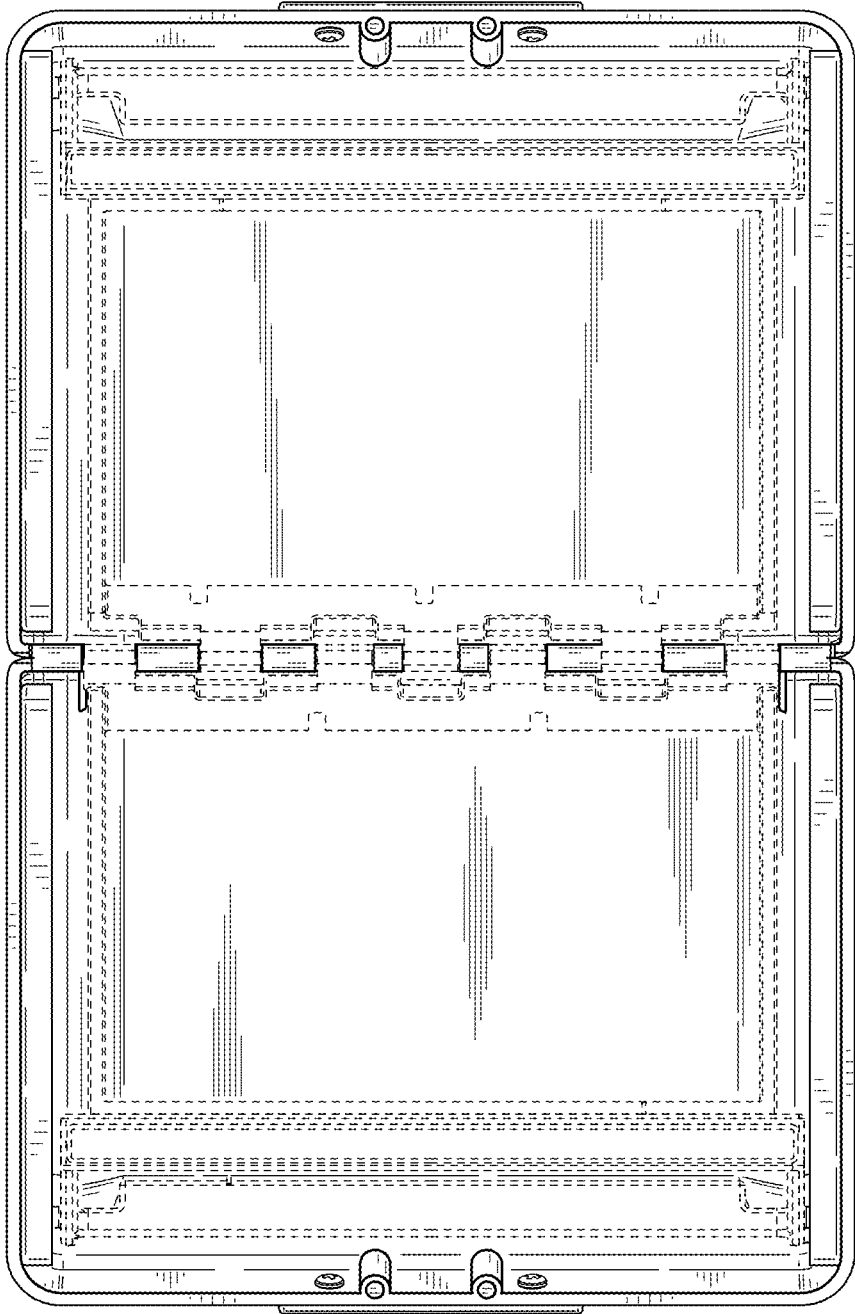


FIG. 7

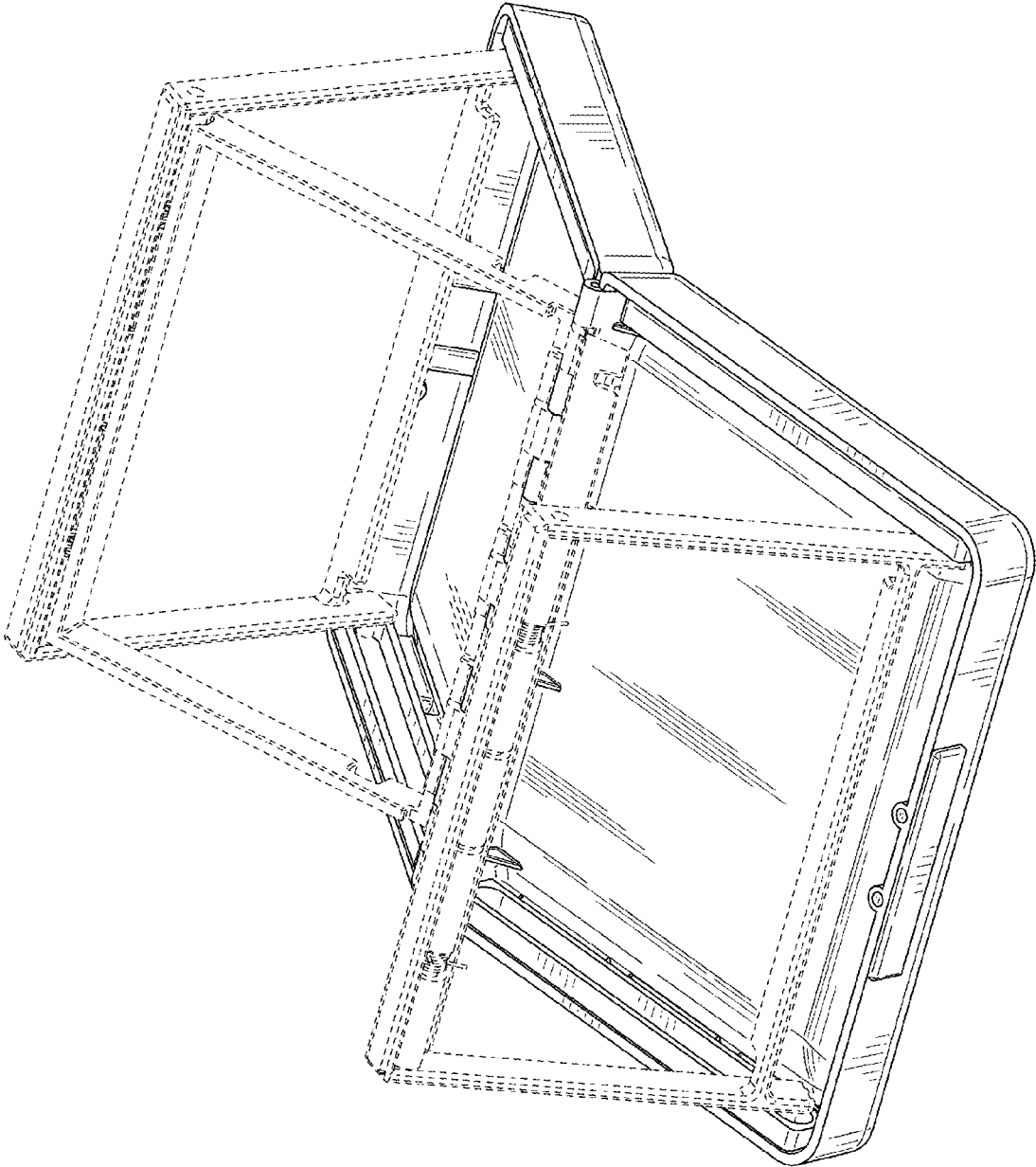


FIG. 8