



(12) **United States Design Patent**
Kang

(10) **Patent No.:** **US D831,111 S**
(45) **Date of Patent:** **** Oct. 16, 2018**

- (54) **DRY ERASE BOARD**
- (71) Applicant: **ACCO Brands Corporation**, Lake Zurich, IL (US)
- (72) Inventor: **Seesong Kang**, Northbrook, IL (US)
- (73) Assignee: **ACCO Brands Corporation**, Lake Zurich, IL (US)
- (**) Term: **15 Years**
- (21) Appl. No.: **29/614,945**
- (22) Filed: **Aug. 24, 2017**

D200,288 S * 2/1965 Smythe D20/41
 D213,625 S 3/1969 Jensen
 D230,238 S 2/1974 Coda
 D239,894 S * 5/1976 Inman D6/699.2
 (Continued)

Related U.S. Application Data

- (63) Continuation of application No. 29/556,717, filed on Mar. 2, 2016, which is a continuation of application No. 29/556,718, filed on Mar. 2, 2016.
- (51) **LOC (11) Cl.** **19-06**
- (52) **U.S. Cl.**
USPC **D19/113**
- (58) **Field of Classification Search**
USPC D19/113, 114; D20/10, 19, 39, 40, 41, D20/42; D14/371, 373, 374
CPC .. B43L 1/00; B43L 1/004; B43L 1/008; B43L 1/06; B43L 1/10; B43L 1/12; G09F 15/00; G09F 15/0006; G09F 15/0012; G09F 15/0018; G09F 15/0056; G09F 2007/1834; G09F 2007/1843; G09F 2007/1847
See application file for complete search history.

References Cited

U.S. PATENT DOCUMENTS

1,688,139 A 10/1928 Fishel
 2,865,124 A 12/1958 Mortellito
 3,148,461 A * 9/1964 Johnson G09B 1/00
 359/872

OTHER PUBLICATIONS

Product name “Quartet Prestige 2 DuraMax Porcelain Magnetic Whiteboard”, publicly available prior to Mar. 2, 2016, images available at <http://www.officedepot.com/a/products/120413/Quartet-Prestige-2-DuraMax-Porcelain-Magnetic/>.
 (Continued)

Primary Examiner — Elizabeth A. Albert
 (74) *Attorney, Agent, or Firm* — Michael Best & Friedrich LLP

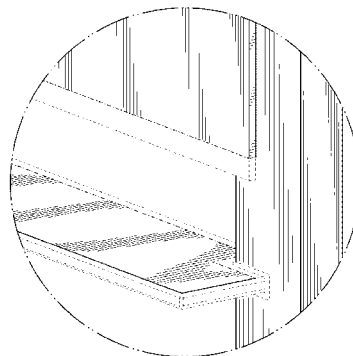
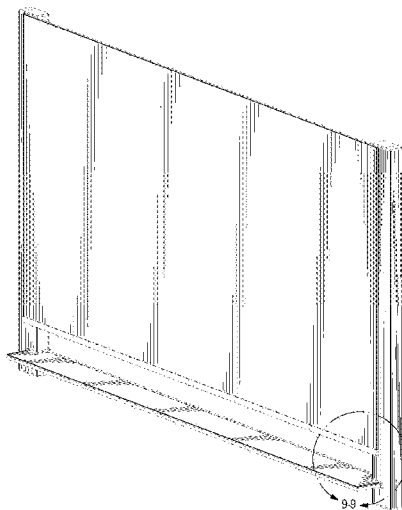
CLAIM

(57) I claim the ornamental design for a dry erase board, as shown and described.

DESCRIPTION

FIG. 1 is a front perspective view of a dry erase board showing my new design.
 FIG. 2 is a rear perspective view of the dry erase board of FIG. 1.
 FIG. 3 is a front view of the dry erase board of FIG. 1.
 FIG. 4 is a rear view of the dry erase board of FIG. 1.
 FIG. 5 is a right side view of the dry erase board of FIG. 1.
 FIG. 6 is a left side view of the dry erase board of FIG. 1.
 FIG. 7 is a top view of the dry erase board of FIG. 1.
 FIG. 8 is a bottom view of the dry erase board of FIG. 1; and, FIG. 9 is a detail view of a portion of the dry erase board shown in FIG. 1.
 In the drawings, the evenly-spaced broken lines depict environmental subject matter only that forms no part of the claim; the dash-dot-dash lines represent boundaries of the claimed design and form no part thereof.

1 Claim, 7 Drawing Sheets



(56)

References Cited

U.S. PATENT DOCUMENTS

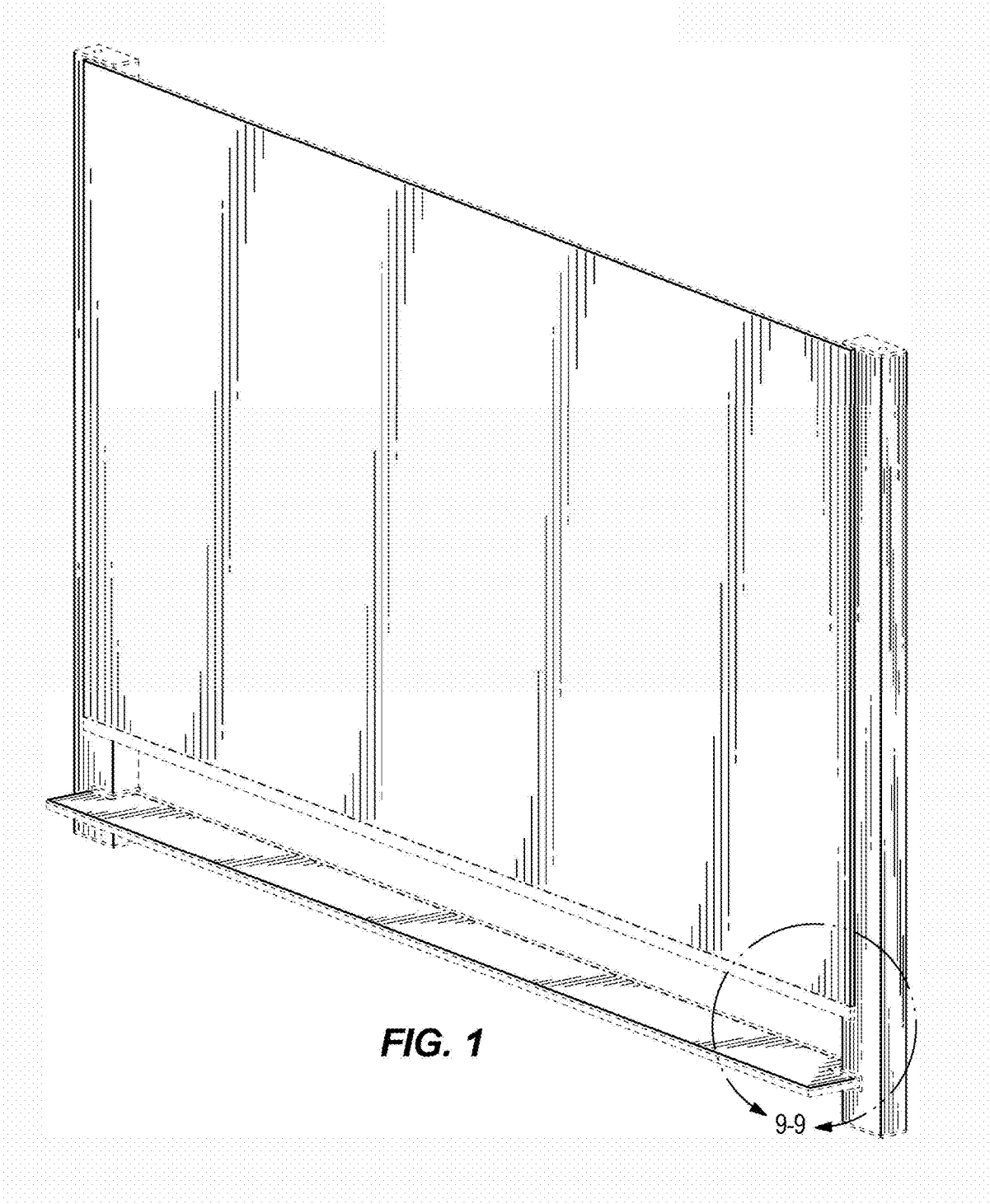
D243,378 S 2/1977 Tharp
 4,144,664 A 3/1979 De Korte
 4,209,927 A 7/1980 Donatelle
 D257,093 S * 9/1980 Brittner D6/699
 D261,208 S 10/1981 Whiting
 D267,658 S * 1/1983 Samuels, Jr. D20/42
 4,408,407 A 10/1983 Bloom
 D272,026 S 1/1984 Bevan
 4,437,839 A 3/1984 Stempel
 4,492,049 A 1/1985 Gaylor
 D280,744 S 9/1985 Gaylor
 D284,875 S 7/1986 Howard
 5,018,291 A 5/1991 Pasquale
 5,110,295 A * 5/1992 Concra B43L 1/00
 434/368
 D327,797 S * 7/1992 Martin D20/10
 5,176,522 A 1/1993 Robertson, Jr.
 5,203,129 A 4/1993 Johnson
 D353,290 S 12/1994 Shafer
 D365,535 S 12/1995 Muckler
 5,502,907 A 4/1996 Wang
 D381,182 S 7/1997 Whited
 5,669,191 A 9/1997 Weaver
 5,727,952 A 3/1998 Schenck
 D401,625 S * 11/1998 Verbeek D19/114
 D417,440 S * 12/1999 Wilson D10/93
 6,230,427 B1 5/2001 McDaniel
 D445,837 S 7/2001 Waterhouse
 D450,776 S * 11/2001 Albrecht D20/10
 D458,459 S 6/2002 Gottwald
 6,619,003 B2 9/2003 Von Arx
 D508,535 S 8/2005 Kosek
 D525,219 S * 7/2006 Williams D14/126
 D547,097 S * 7/2007 Bastian D6/707
 D549,783 S 8/2007 Beno
 D558,270 S 12/2007 Beno
 D578,725 S * 10/2008 Gunter D99/17
 D603,862 S * 11/2009 Skinner D14/337
 D604,734 S 11/2009 Leonard
 D617,834 S 6/2010 Vasconcelos

D627,394 S 11/2010 Nakayama
 7,896,522 B2 3/2011 Heller
 D661,124 S * 6/2012 Curbbun D20/10
 D670,670 S * 11/2012 Kim D14/126
 D671,170 S 11/2012 Udagawa
 D690,361 S 9/2013 Kang
 8,656,844 B2 * 2/2014 Ceballos-Godefroy
 A47F 5/10
 108/115
 D705,356 S 5/2014 Kang
 D709,493 S 7/2014 Ahn
 D717,753 S 11/2014 Totsuka
 D723,484 S 3/2015 Hwangbo
 9,068,738 B2 6/2015 Auyeung
 9,092,065 B2 7/2015 Hsueh
 D737,271 S * 8/2015 Morrissey D14/371
 9,128,550 B2 9/2015 Imada
 D751,648 S 3/2016 Gongola
 9,285,889 B2 3/2016 Bateman
 D754,621 S * 4/2016 Dai D14/126
 9,311,832 B2 4/2016 Kanai
 9,495,892 B2 11/2016 Gongola
 D777,900 S 1/2017 Esposito
 9,542,870 B2 1/2017 Auyeung
 D807,312 S * 1/2018 Jeong D14/126
 2011/0013183 A1 1/2011 Domaschko et al.
 2013/0323707 A1 12/2013 Lyons
 2015/0227201 A1 8/2015 Nakao
 2015/0338974 A1 11/2015 Stone
 2016/0179229 A1 6/2016 Ahn

OTHER PUBLICATIONS

Product name “Quartet Prestige Plus DuraMax Porcelain White-board”, publicly available prior to Mar. 2, 2016, images available at <http://canadianofficesupplies.com/acco-brands-corporation/quartet-prestige-plus-duramaxporcelain-whiteboard/Q RTP567T/p>.
 Product name “Quartet Infinity Magnetic White Glass Marker Board”, publicly available prior to Mar. 2, 2016, images available at <http://www.officedepot.com/a/products/190973/Quartet-Infinity-Magnetic-White-Glass-Marker/>.

* cited by examiner



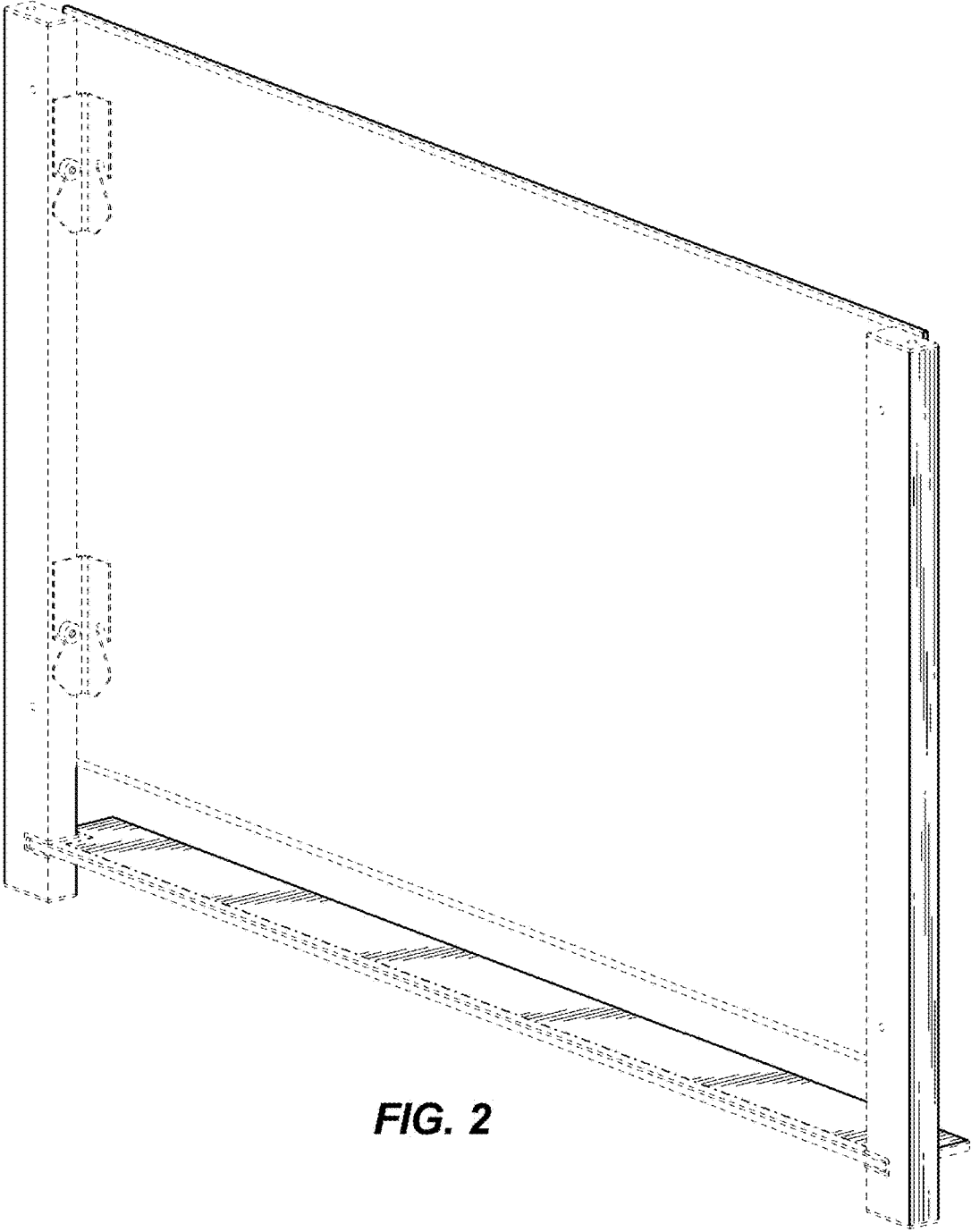


FIG. 2

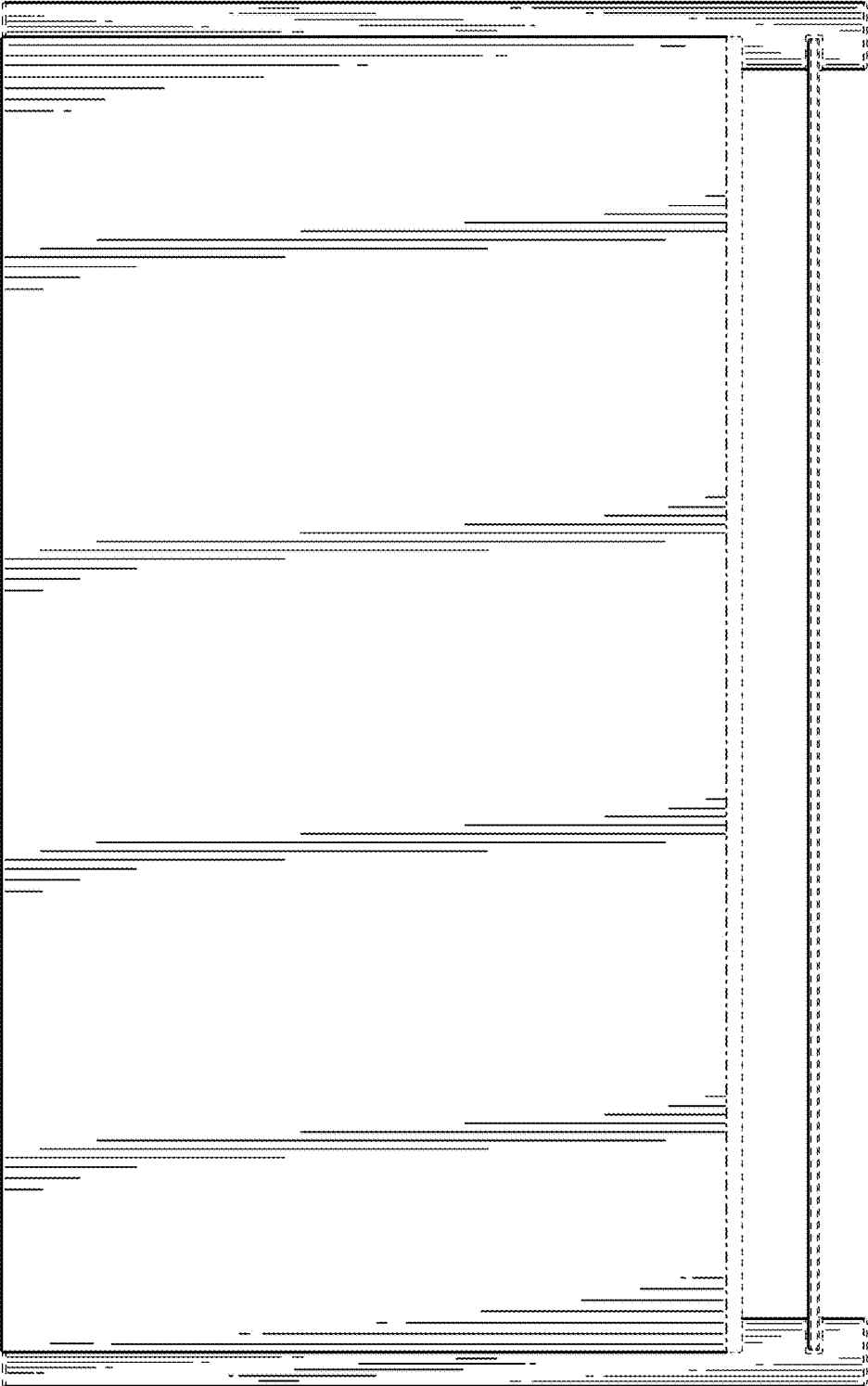


FIG. 3

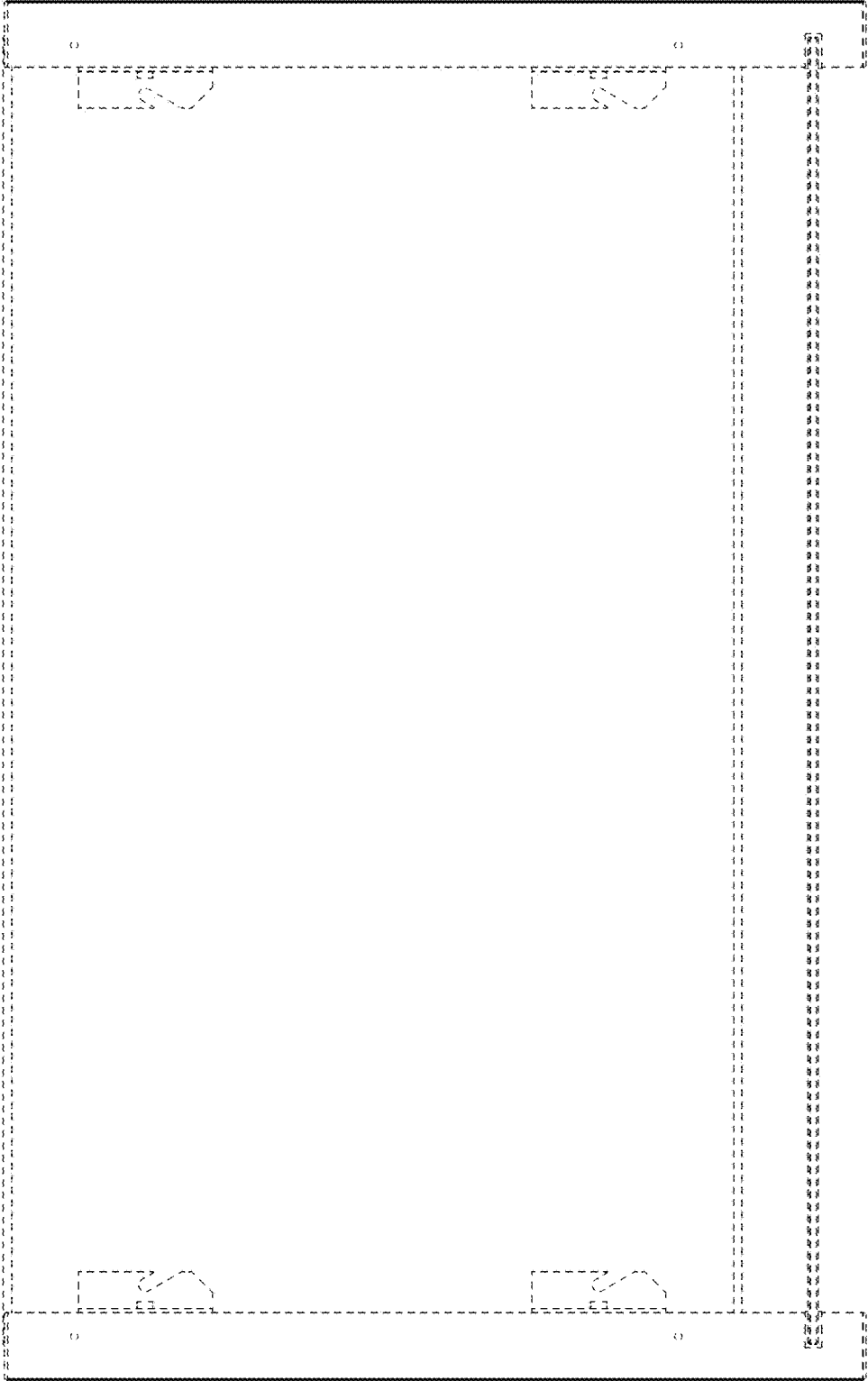


FIG. 4



FIG. 5

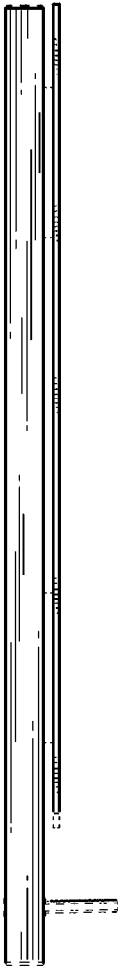


FIG. 6

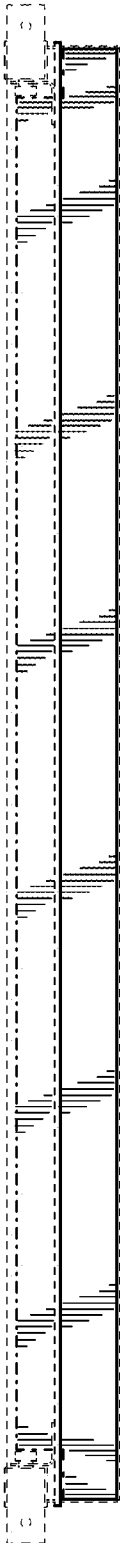


FIG. 7

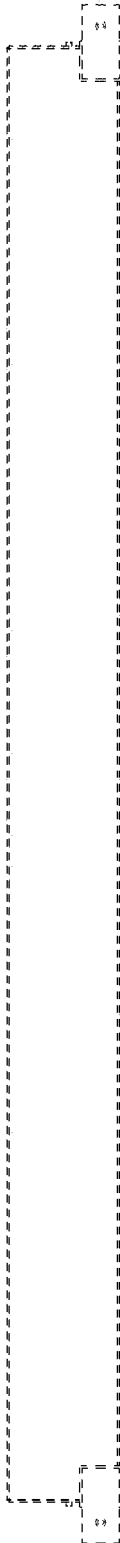


FIG. 8

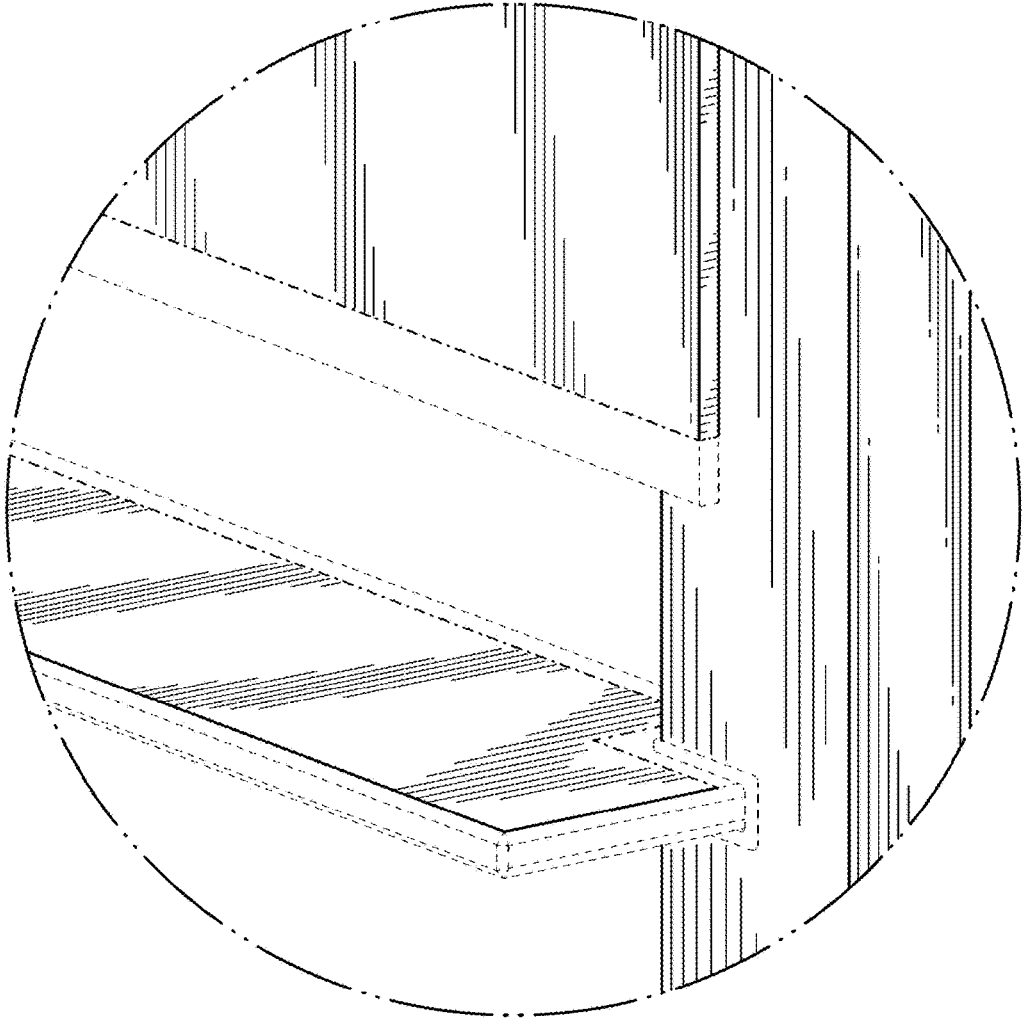


FIG. 9