



US00D754845S

(12) **United States Design Patent**
Duran

(10) **Patent No.:** **US D754,845 S**

(45) **Date of Patent:** **** Apr. 26, 2016**

- (54) **ANESTHESIA MASK WITH INTEGRATED PACIFIER ASSEMBLY**
- (71) Applicant: **Julie J. Duran**, Diamond Bar, CA (US)
- (72) Inventor: **Julie J. Duran**, Diamond Bar, CA (US)
- (**) Term: **14 Years**
- (21) Appl. No.: **29/509,007**
- (22) Filed: **Nov. 13, 2014**
- (51) **LOC (10) Cl.** **29-02**
- (52) **U.S. Cl.**
USPC **D24/110.4**
- (58) **Field of Classification Search**
USPC D24/110, 110.1–110.5, 127; D29/108
CPC A61M 16/0616; A61M 16/0633;
A61M 16/06; A61M 16/0666; A61M 16/0683;
A61M 16/01; A61M 16/0493; A61M 2240/00
See application file for complete search history.

(56) **References Cited**

U.S. PATENT DOCUMENTS

2,666,432	A *	1/1954	Stanton	A61M 16/06 128/206.26
D258,994	S *	4/1981	Grane	D24/110.4
4,520,809	A *	6/1985	de Greef	A61M 16/06 128/200.24
D293,613	S *	1/1988	Wingler	D24/110.1
D302,746	S *	8/1989	Shirley	D24/110.4
D321,419	S *	11/1991	Wallace	D24/110.4
D323,908	S *	2/1992	Hollister	D24/110.1
D343,701	S	1/1994	Dahlstrand		
D347,495	S *	5/1994	Baldwin	D24/110.1
D349,586	S *	8/1994	Handke	D24/110.4
5,375,593	A *	12/1994	Press	A61M 16/0666 128/207.18
5,431,158	A *	7/1995	Tirotta	A61M 16/0488 128/200.26
5,462,050	A	10/1995	Dahlstrand		
D378,417	S	3/1997	Panagakos et al.		
6,470,882	B1 *	10/2002	Newhouse	A61J 9/00 128/200.24
6,557,548	B1 *	5/2003	Dickson	A61J 17/00 128/200.24
D499,803	S *	12/2004	Chang	D24/110.1
7,243,652	B2 *	7/2007	Chang	A61M 16/06 128/206.26
7,318,433	B2 *	1/2008	Cockerham	A61J 17/00 128/201.26

7,322,351	B2 *	1/2008	Chang	A62B 9/02 128/202.28
D582,031	S *	12/2008	Sorensen	D24/110.4
D598,537	S *	8/2009	Nashed	A61M 16/06 D24/110.1
D615,643	S *	5/2010	Nashed	A61M 16/06 D24/110.1
8,291,905	B2 *	10/2012	Moening, Jr.	A61M 16/06 128/203.29
8,297,284	B2 *	10/2012	Lee et al.	A61M 16/0666 128/200.26
8,651,108	B2 *	2/2014	Albano	A61J 17/00 128/200.24
2004/0040556	A1 *	3/2004	Fillyaw	A61J 17/00 128/202.16
2005/0188992	A1 *	9/2005	Cockerham	A61J 17/00 128/206.29
2005/0263157	A1 *	12/2005	Olsen	A61J 17/00 128/206.28
2006/0207600	A1 *	9/2006	Burrow	A61M 16/06 128/207.11
2006/0271106	A1 *	11/2006	Su	A41D 13/11 606/234
2007/0006882	A1 *	1/2007	Chang	A62B 9/02 128/205.24
2007/0295335	A1 *	12/2007	Nashed	A61M 16/06 128/206.24
2008/0295845	A1 *	12/2008	Nashed	A61M 16/06 128/206.26
2010/0122705	A1 *	5/2010	Moening, Jr.	A61M 16/009 128/206.24
2010/0122706	A1 *	5/2010	Moening, Jr.	A61M 16/06 128/206.24
2010/0275919	A1 *	11/2010	Sung	A61M 16/06 128/204.22
2011/0083670	A1 *	4/2011	Walacavage	A61M 16/06 128/205.12

* cited by examiner

Primary Examiner — Sheryl Lane

Assistant Examiner — Lilyana Bekic

(74) *Attorney, Agent, or Firm* — Crossley Patent Law

(57) **CLAIM**

The ornamental design for an anesthesia mask with integrated pacifier assembly, as shown and described.

DESCRIPTION

FIG. 1 is a front elevation view of an anesthesia mask with integrated pacifier assembly showing my new design;

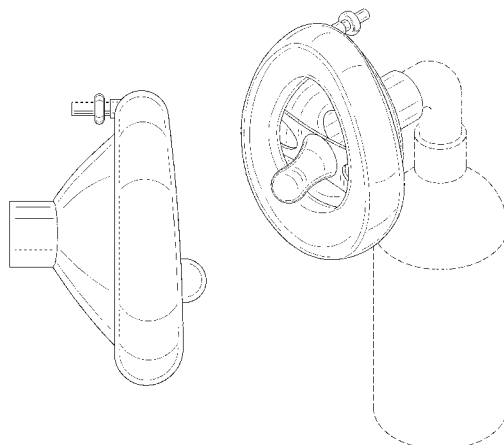


FIG. 2 is a rear elevation view thereof;
FIG. 3 is a right side elevation view thereof, the opposite side being a mirror image;
FIG. 4 is a top plan view thereof;
FIG. 5 is a bottom plan view thereof; and,
FIG. 6 is an isometric view thereof, in a position of use.

The broken line showing of the medical grade gas storage tank in FIG. 6 illustrates the environment of the claimed design and forms no part thereof.
The dash-dot-dash broken lines represent the boundaries of the claimed design and form no part thereof.

1 Claim, 5 Drawing Sheets

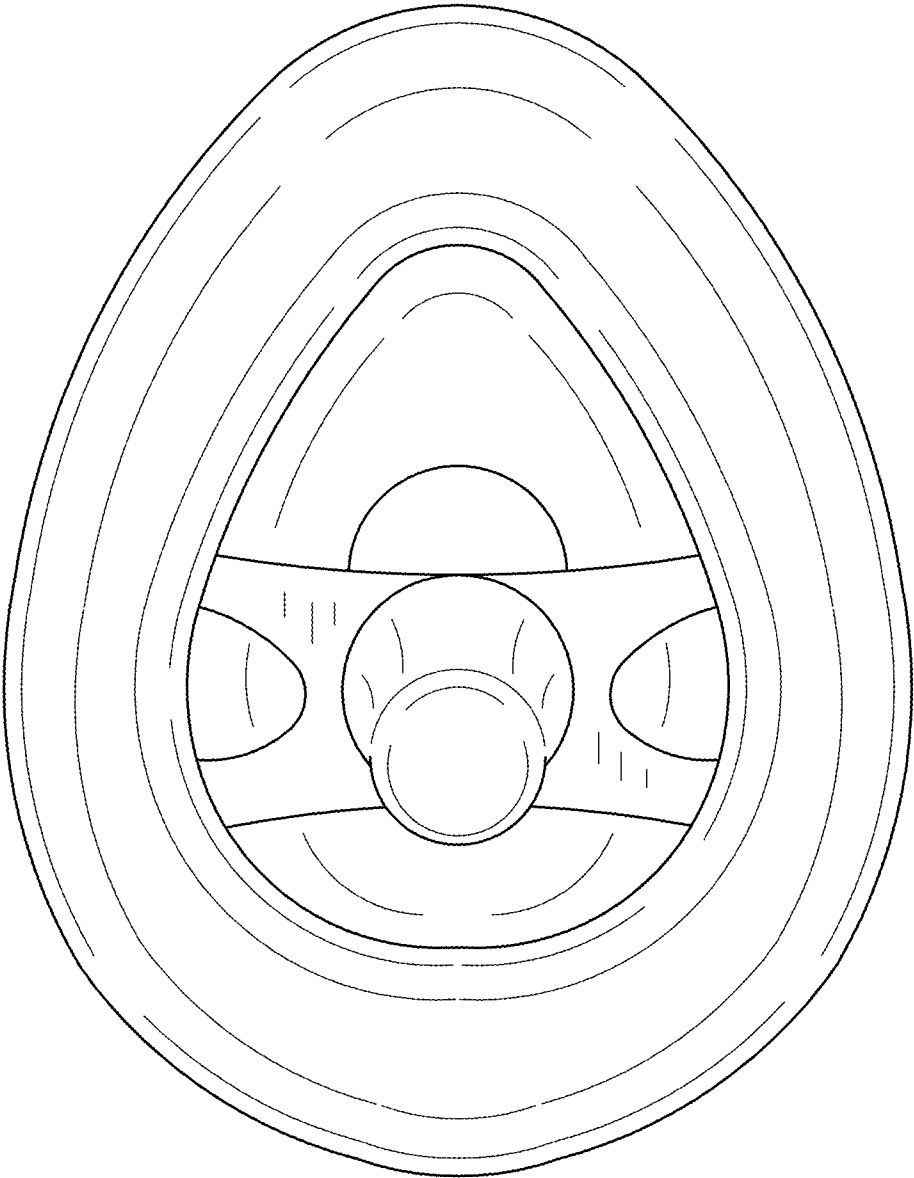


FIG. 1

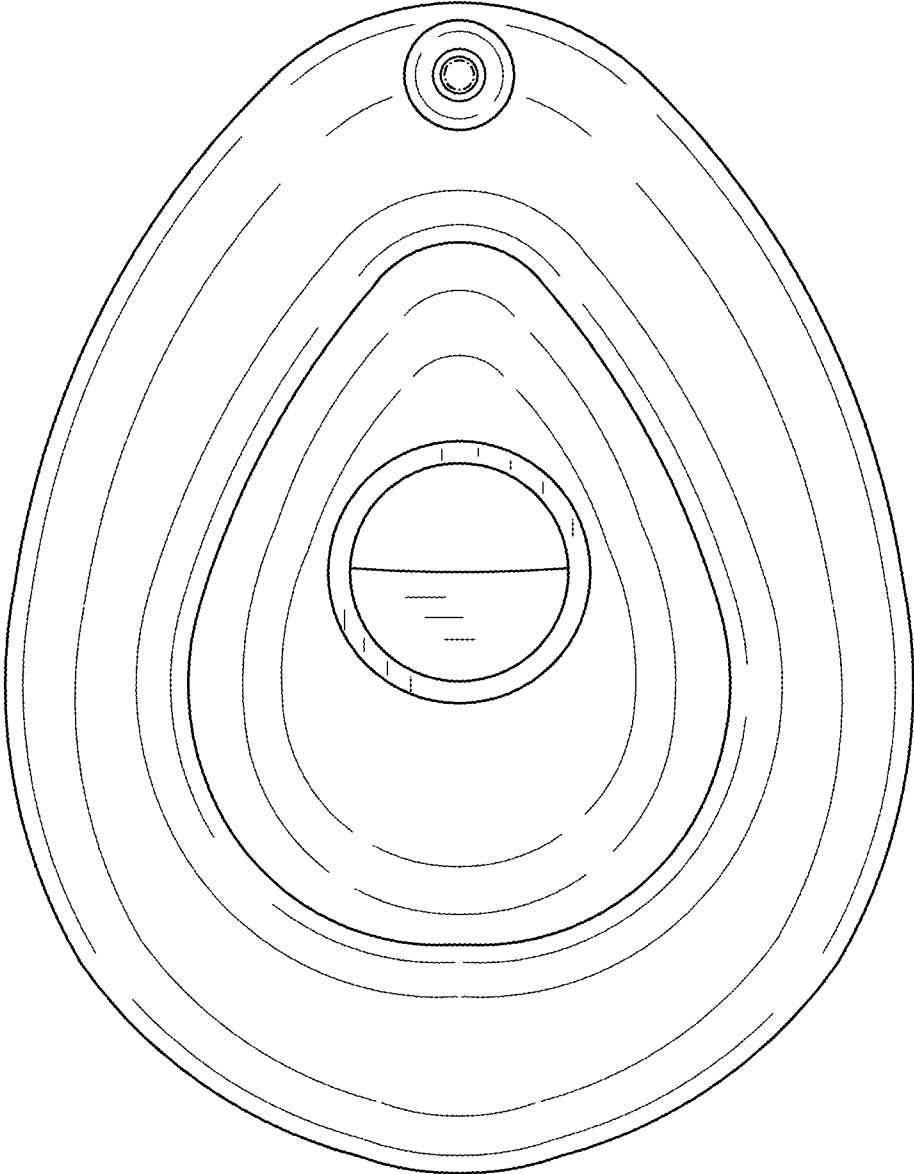


FIG. 2

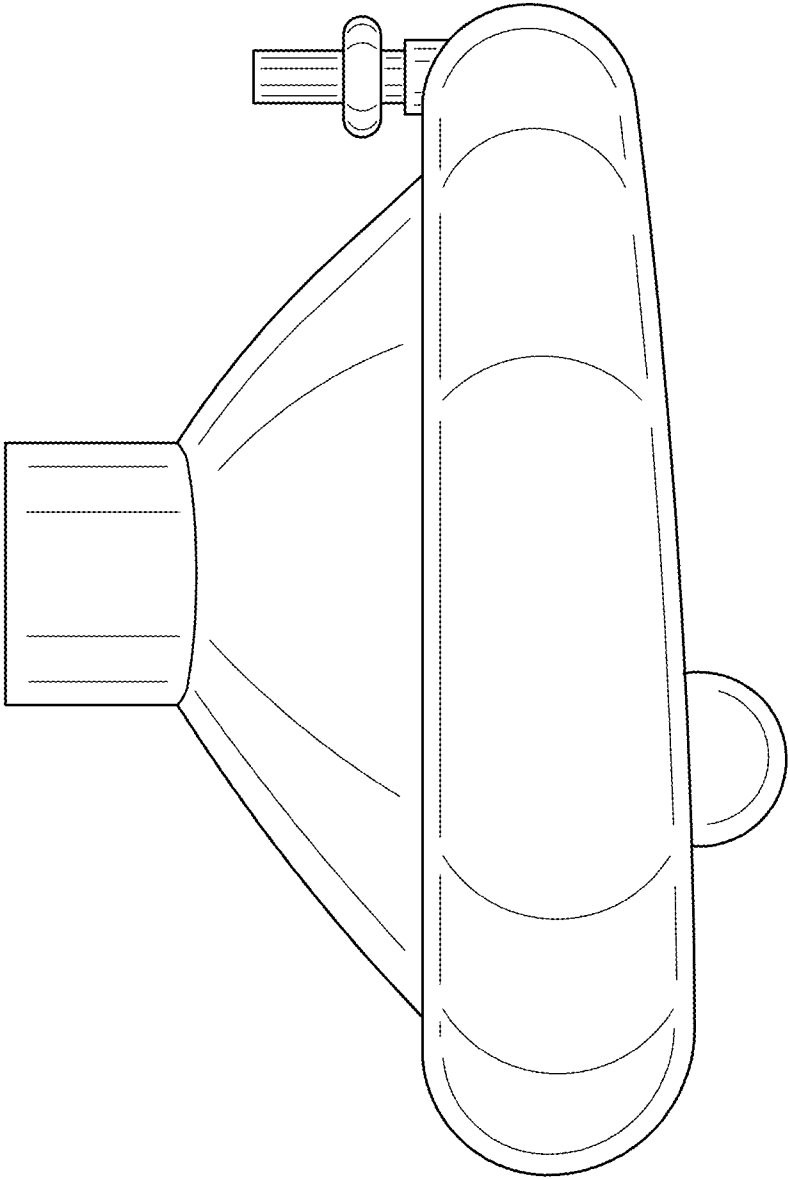


FIG. 3

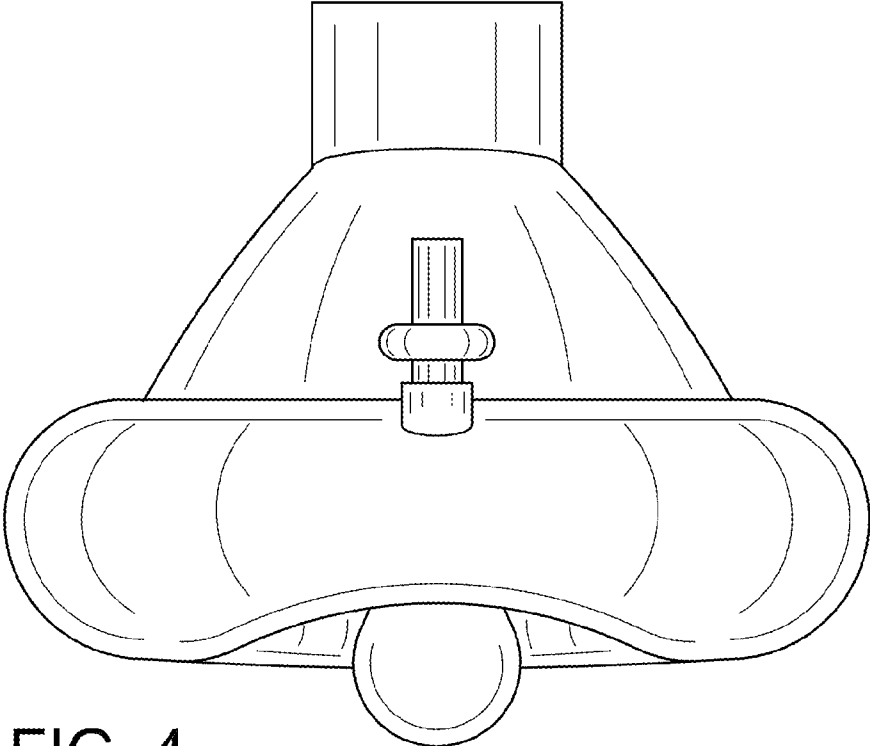


FIG. 4

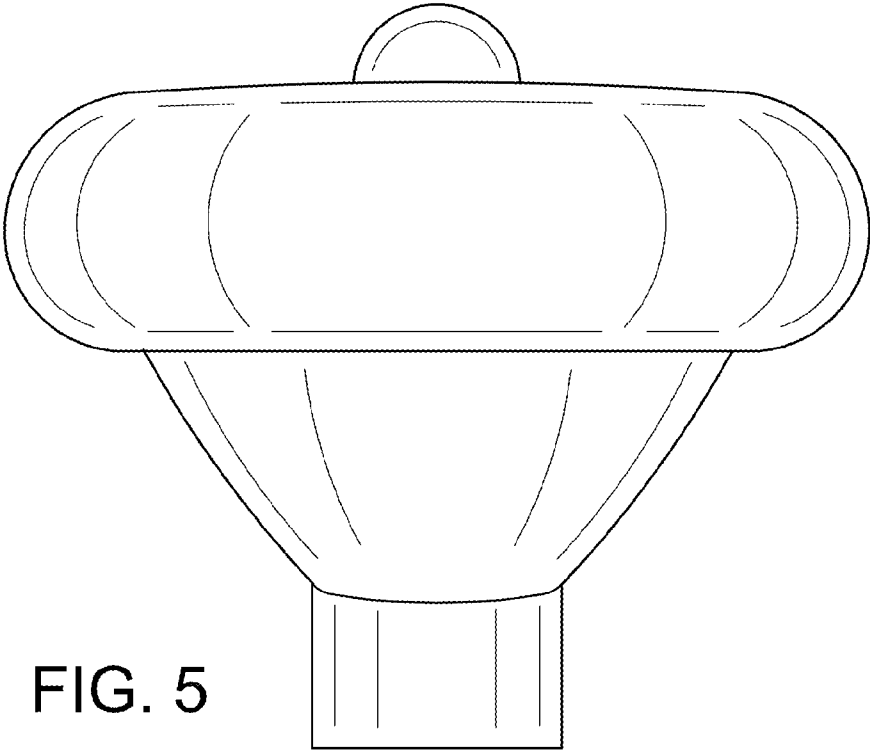


FIG. 5

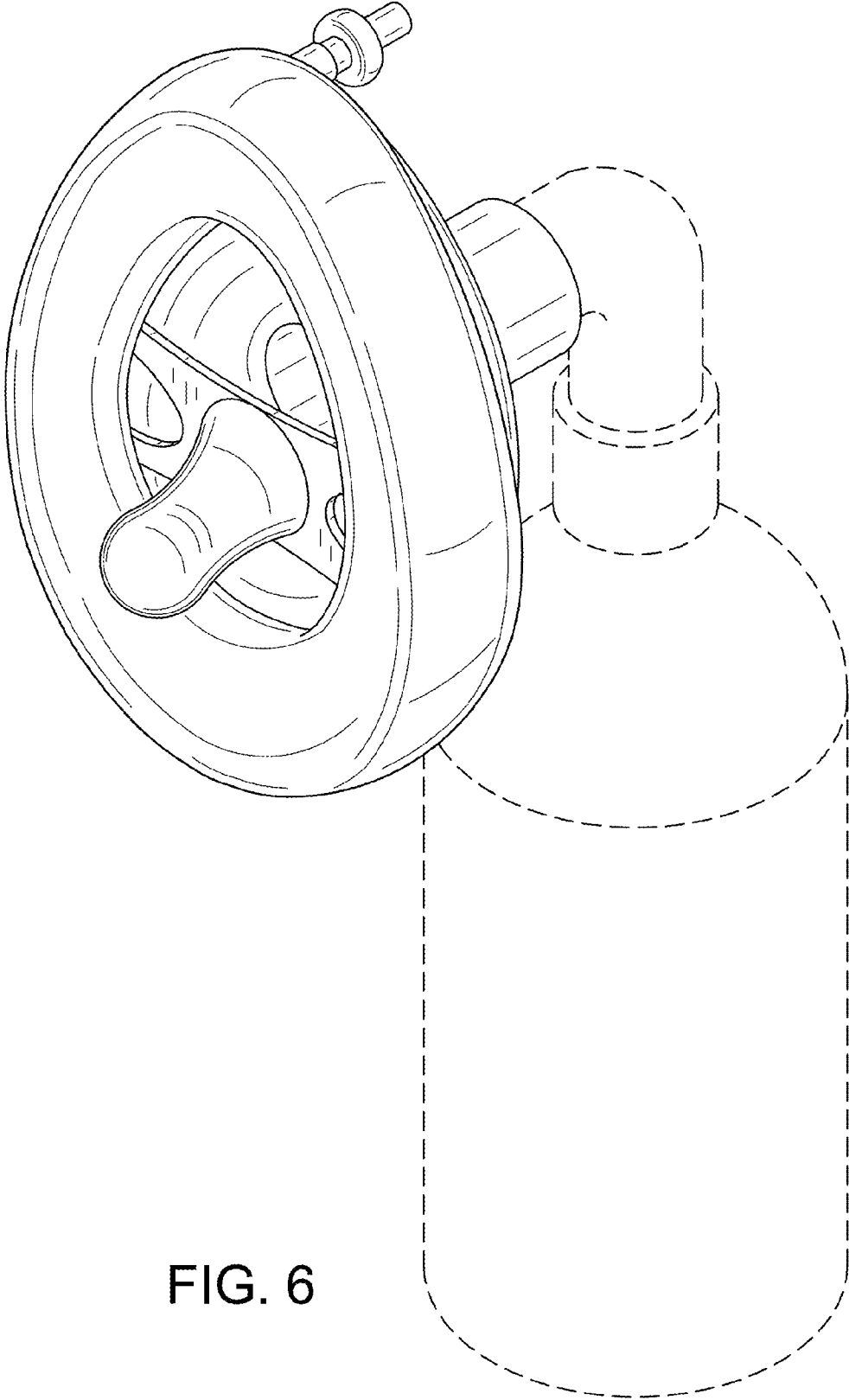


FIG. 6