



US00D446718B1

(12) **United States Design Patent**
Anderson

(10) **Patent No.:** **US D446,718 S**

(45) **Date of Patent:** **** Aug. 21, 2001**

(54) **CONTAINER FOR PHARMACEUTICAL TABLETS**

(75) **Inventor:** **Gregor John McLennan Anderson,**
Hartfordshire (GB)

(73) **Assignee:** **Glaxo Wellcome Inc.,** Research
Triangle Park, NC (US)

(**) **Term:** **14 Years**

(21) **Appl. No.:** **29/118,699**

(22) **Filed:** **Feb. 11, 2000**

(30) **Foreign Application Priority Data**

Aug. 13, 1999 (GB) 2085770

(51) **LOC (7) Cl.** **09-03**

(52) **U.S. Cl.** **D9/422; D9/424**

(58) **Field of Search** D9/420-424, 432,
D9/418, 414, 341, 337; D3/203, 201, 901;
206/528-540, 828, 807, 368, 369, 370,
366; 220/345.1, 345.2, 345.3, 345.4, 351,
812

(56) **References Cited**

U.S. PATENT DOCUMENTS

D. 373,725	*	9/1996	Well	D9/418
D. 407,972	*	4/1999	Hilton	D9/424
D. 432,911	*	10/2000	Clarke et al.	D9/422
2,295,747	*	9/1942	Mills	220/351
2,777,570	*	1/1957	Mytinger	206/539

3,833,143	*	9/1974	Starkermann et al.	206/538
3,888,350		6/1975	Horvath	206/531
4,113,098		9/1978	Howard	206/540
4,126,224		11/1978	Lauwe et al.	206/540
4,333,567	*	6/1982	Leonard	206/368
4,561,544	*	12/1985	Reeve	206/540
4,691,456	*	9/1987	Ackeret	206/776
5,080,222		1/1992	McNary	206/1.5
5,082,137		1/1992	Weinstein	220/346
5,285,897	*	2/1994	Ozaki	206/815

* cited by examiner

Primary Examiner—Prabhakar Deshmukh

(74) *Attorney, Agent, or Firm*—Darby & Darby

(57) **CLAIM**

The ornamental design for container for pharmaceutical tablets, as shown and described.

DESCRIPTION

FIG. 1 is a perspective view of a container for pharmaceutical tablets, as shown from the top left, showing my new design;

FIG. 2 is a top plan view thereof;

FIG. 3 is a right-hand elevational view thereof;

FIG. 4 is a left-hand elevational view thereof;

FIG. 5 is a bottom plan view thereof;

FIG. 6 is a front elevational view thereof, the rear elevational view being a mirror image thereof; and,

FIG. 7 is a perspective view similar to FIG. 1, showing the container in the open position.

1 Claim, 4 Drawing Sheets

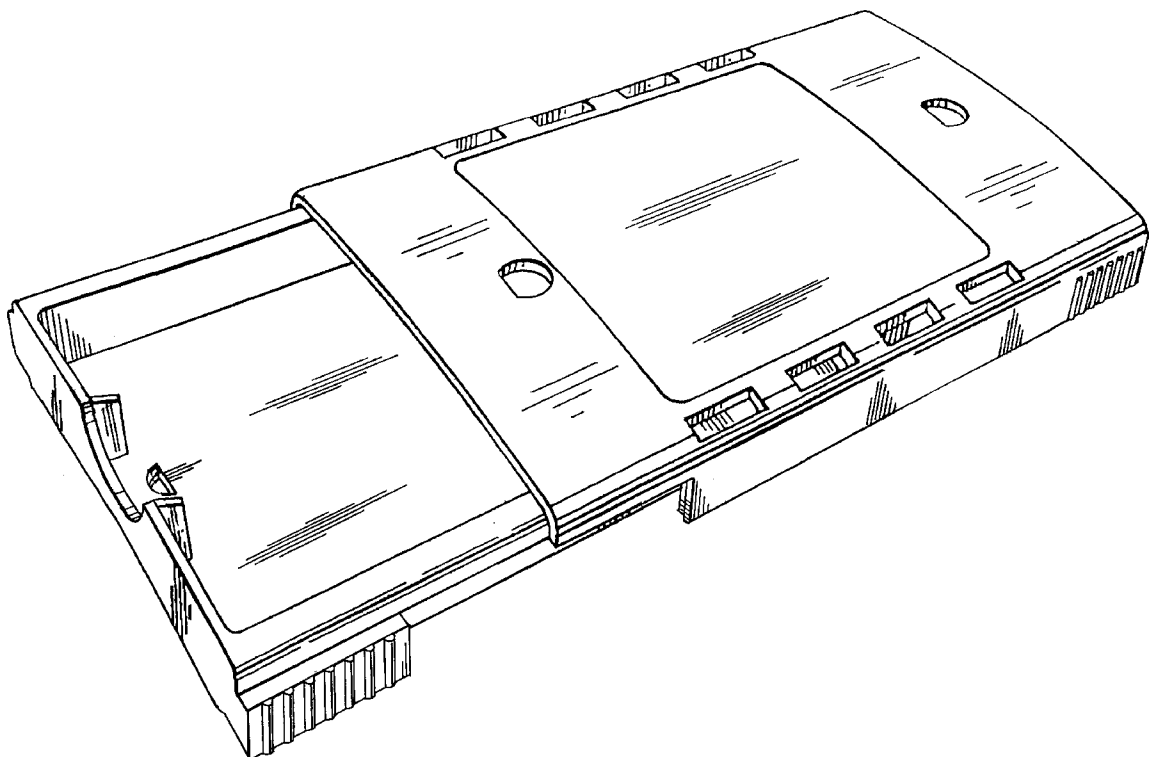


FIG. 1

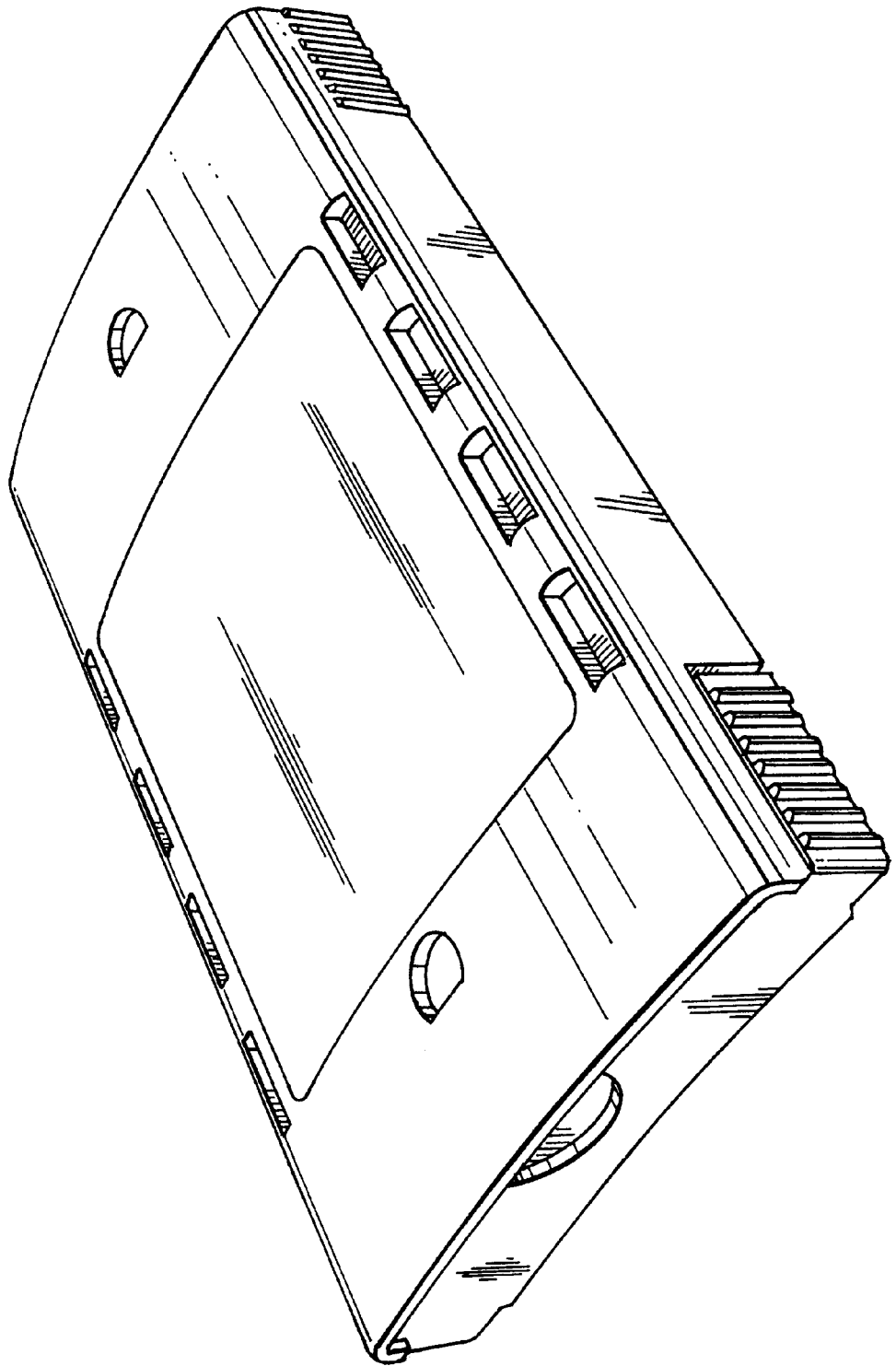


FIG. 2

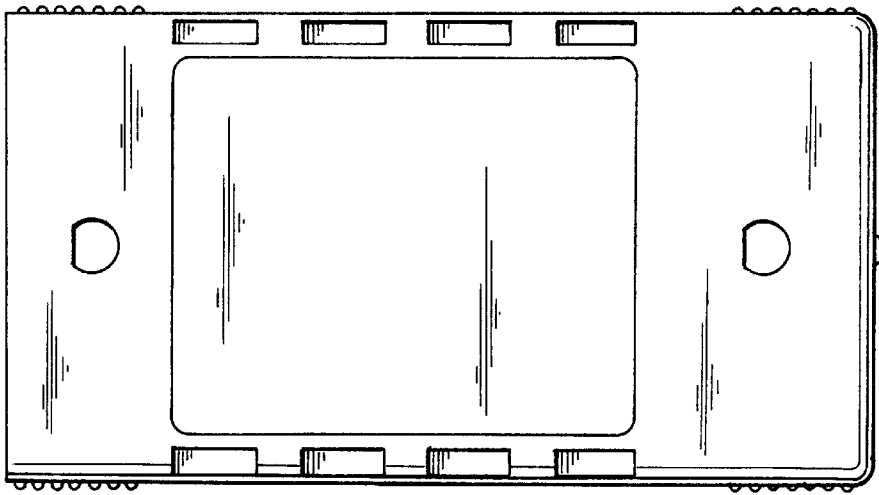


FIG. 3

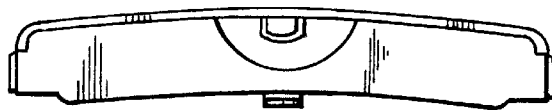


FIG. 4



FIG. 5

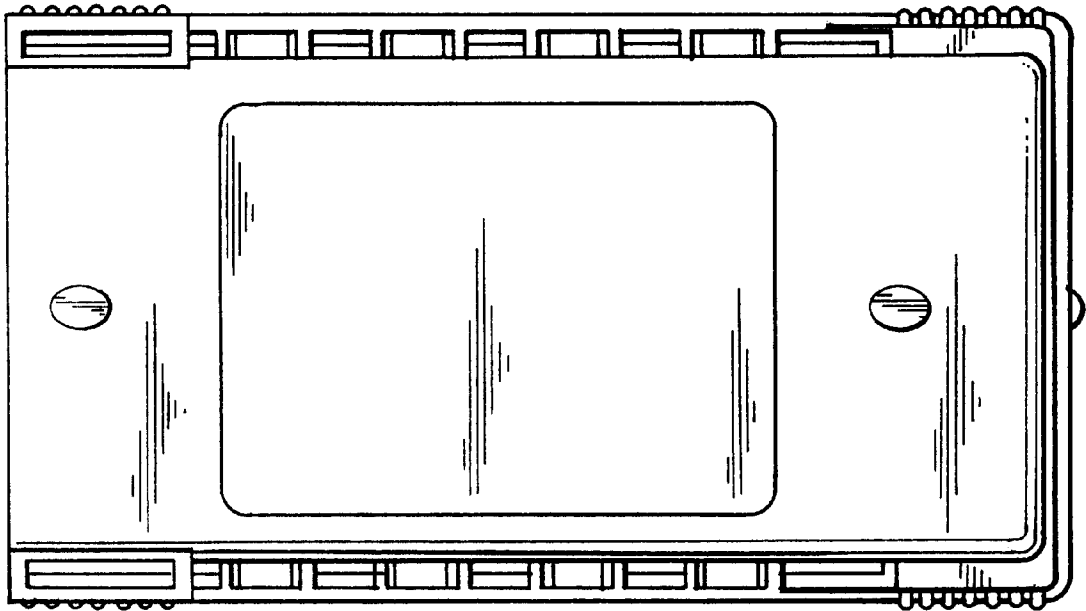
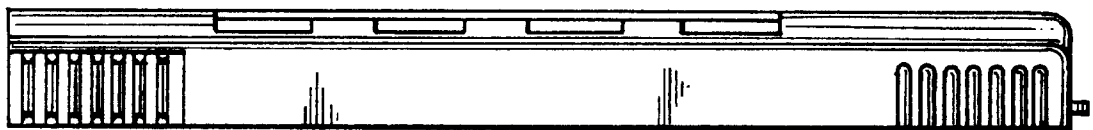


FIG. 6



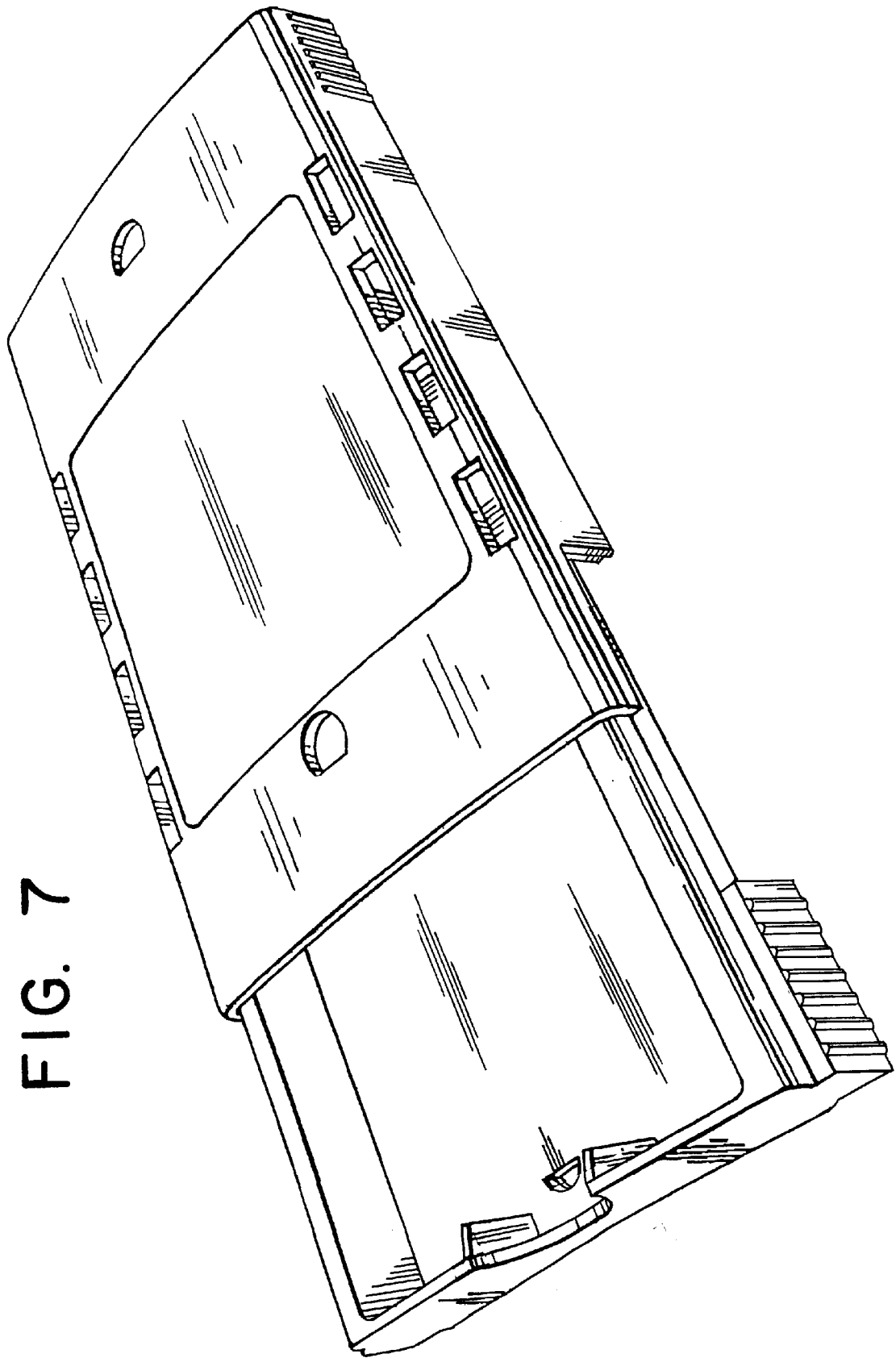


FIG. 7