



US00D738264S

(12) **United States Design Patent**  
**Williams**

(10) **Patent No.:** **US D738,264 S**

(45) **Date of Patent:** **\*\* Sep. 8, 2015**

(54) **V BICYCLE STAND**

(71) Applicant: **Marty Williams**, Colorado Springs, CO  
(US)

(72) Inventor: **Marty Williams**, Colorado Springs, CO  
(US)

(\*\*) Term: **14 Years**

(21) Appl. No.: **29/471,955**

(22) Filed: **Nov. 6, 2013**

(51) **LOC (10) Cl.** ..... **12-11**

(52) **U.S. Cl.**  
USPC ..... **D12/115**

(58) **Field of Classification Search**  
USPC ..... D12/408, 407, 406, 414.1, 420, 115;  
224/403, 520, 532, 324, 501, 518, 533,  
224/492, 493, 495, 500, 924, 497, 502, 510,  
224/321, 329, 503, 523, 537, 513, 519, 314,  
224/318, 325, 326, 509, 315, 319, 309, 514,  
224/499, 516, 571, 572, 504, 323, 322;  
24/68 CD, 301; 211/20, 17, 4, 22, 5, 21,  
211/198, 200; 248/164; 362/549; D8/356;  
D6/716.3; 16/324, 329; 340/432, 5.9,  
340/543, 568.1; 194/205, 247, 902;  
235/381, 382; 70/233, 57, 235  
See application file for complete search history.

(56) **References Cited**

**U.S. PATENT DOCUMENTS**

1,440,471	A *	1/1923	Kohler	248/434
5,320,227	A *	6/1994	Minoura	211/22
5,385,246	A *	1/1995	Grossnickle	211/22

5,588,574	A *	12/1996	Schmidt	224/520
5,913,432	A *	6/1999	Ahrens	211/85.7
5,950,892	A *	9/1999	Tsai	224/520
D434,362	S *	11/2000	McCoy et al.	D12/406
D436,074	S *	1/2001	McCoy et al.	D12/407
D477,718	S *	7/2003	Vail	D6/335
7,932,451	B2 *	4/2011	Workman et al.	84/327
8,367,919	B2 *	2/2013	Belitz et al.	84/453
2004/0256430	A1 *	12/2004	Wang	224/520
2005/0205629	A1 *	9/2005	Wang	224/519
2007/0012634	A1 *	1/2007	Huang	211/17
2008/0135697	A1 *	6/2008	Workman et al.	248/177.1

\* cited by examiner

*Primary Examiner* — Robert M Spear

*Assistant Examiner* — Ryan Harvey

(74) *Attorney, Agent, or Firm* — Tracy M Heims; Apex Juris, PLLc

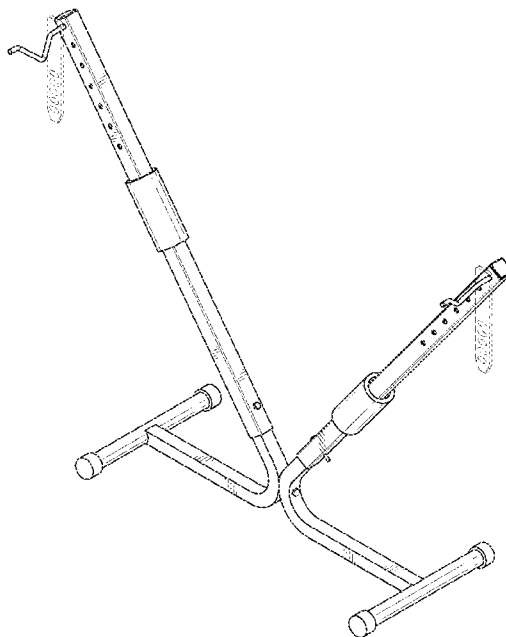
(57) **CLAIM**

The ornamental design for a V bicycle stand, as shown and described.

**DESCRIPTION**

FIG. 1 is a perspective view of a V bicycle stand.  
FIG. 2 is a front elevation view of FIG. 1 shown in use.  
FIG. 3 is a front elevation view of FIG. 1.  
FIG. 4 is a rear elevation view of FIG. 1.  
FIG. 5 is a right side elevation view of FIG. 1.  
FIG. 6 is a top plan view of FIG. 1; and,  
FIG. 7 is a bottom plan view of FIG. 1.  
The broken lines illustrate portions of the article that form no part of the claimed design.

**1 Claim, 6 Drawing Sheets**



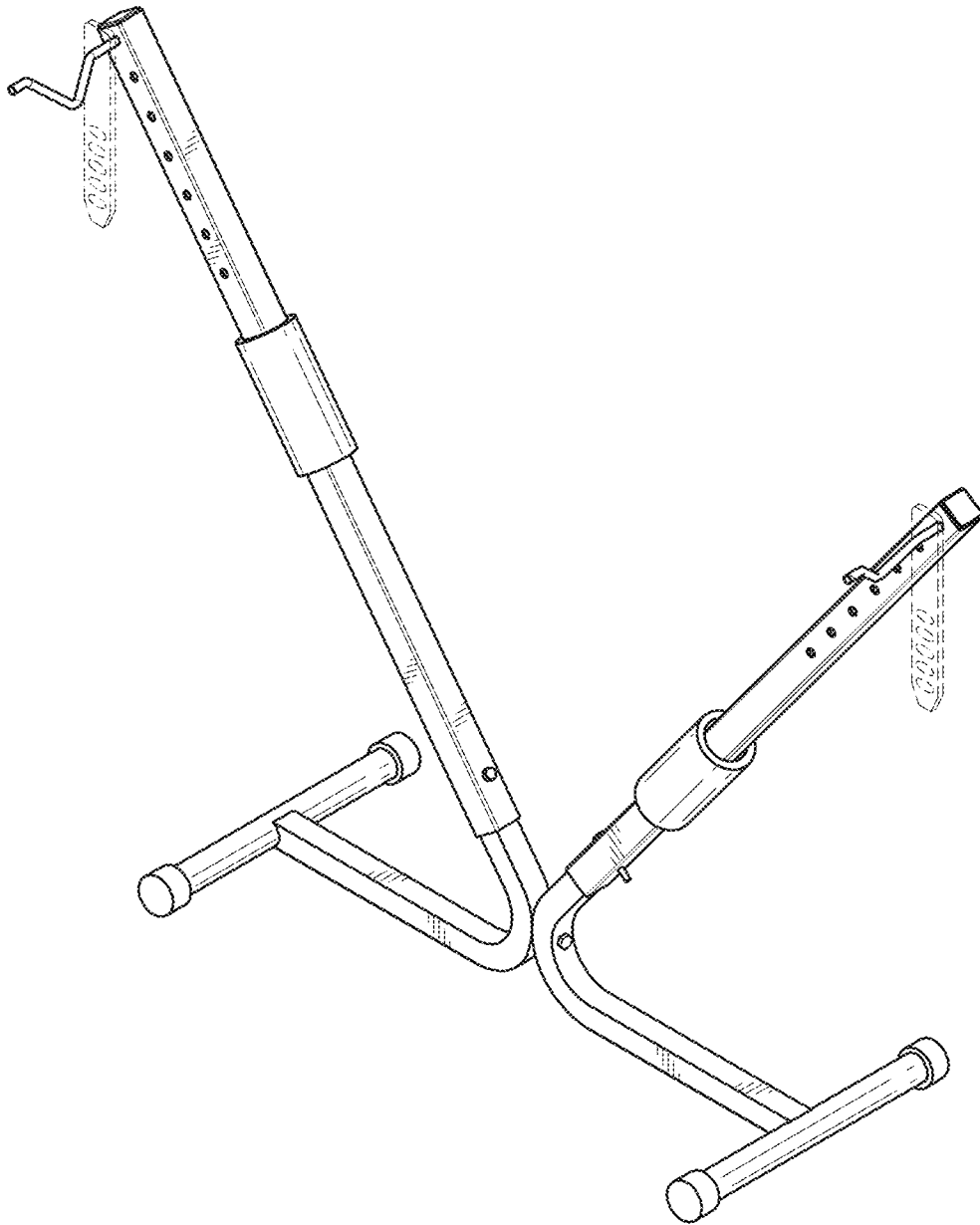


FIG. 1

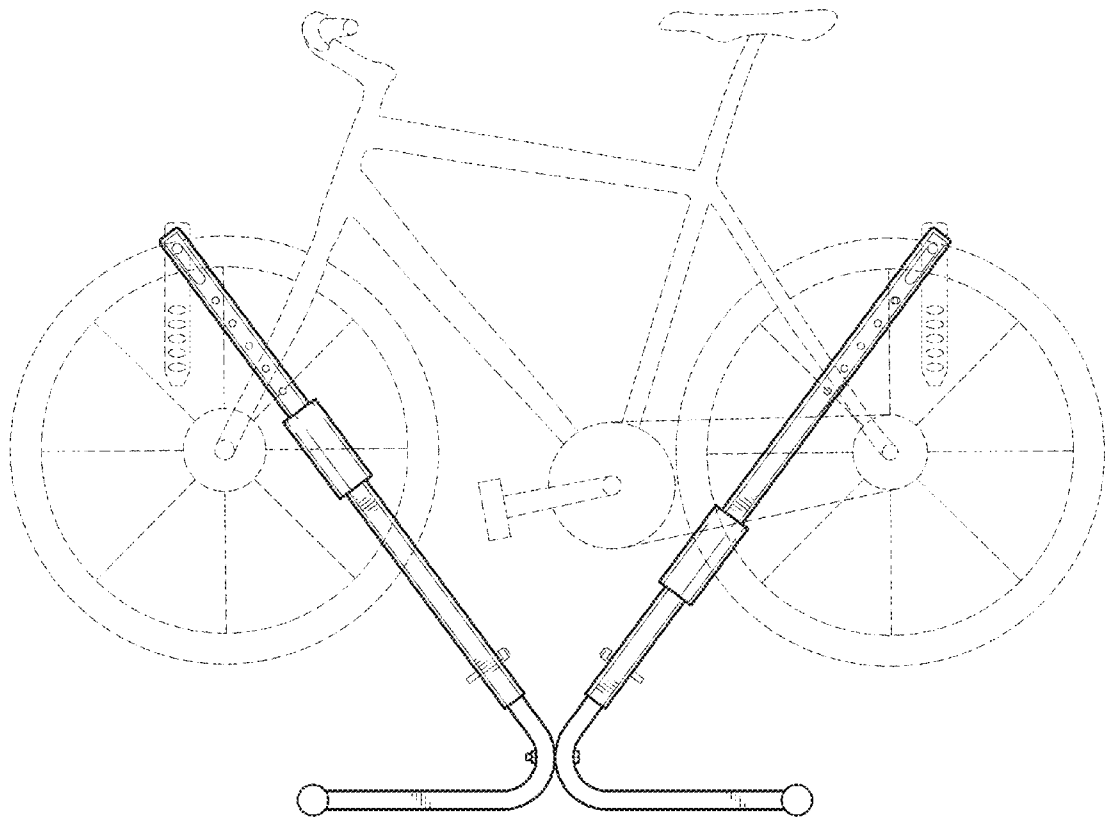


FIG. 2

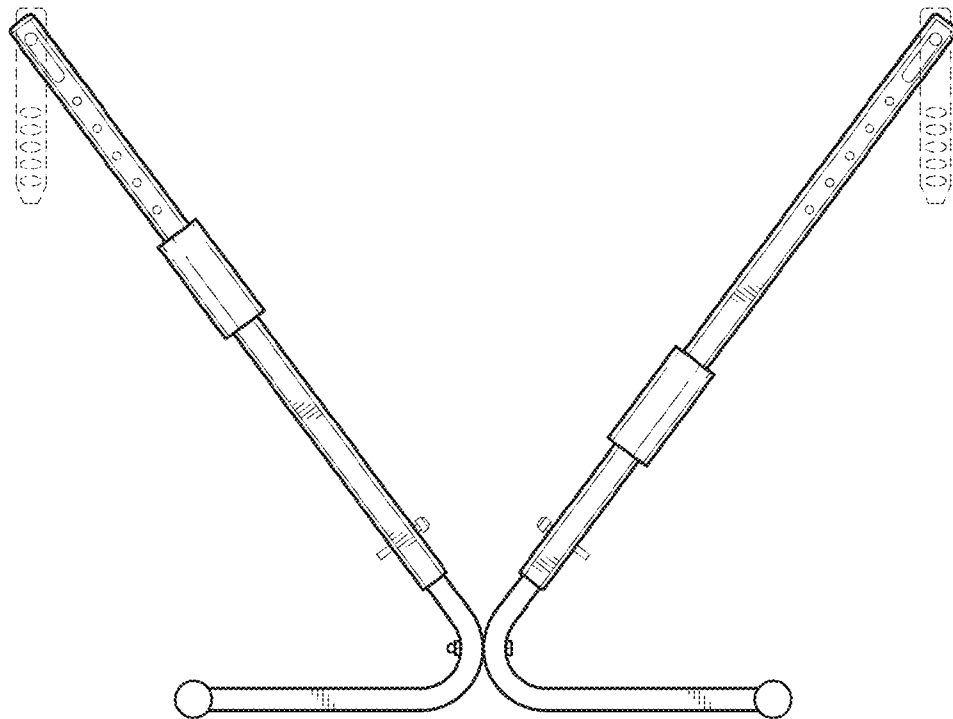


FIG. 3

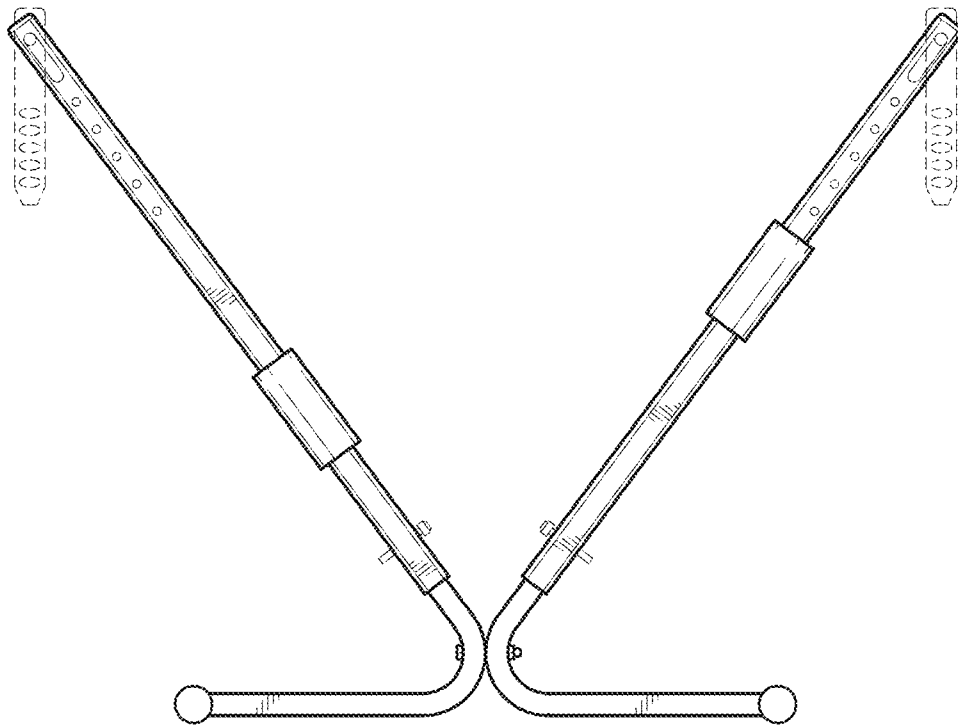


FIG. 4

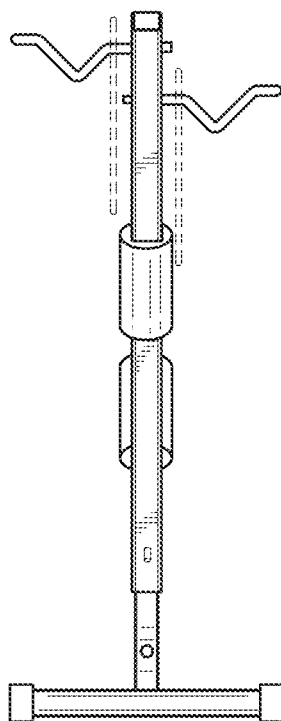


FIG. 5

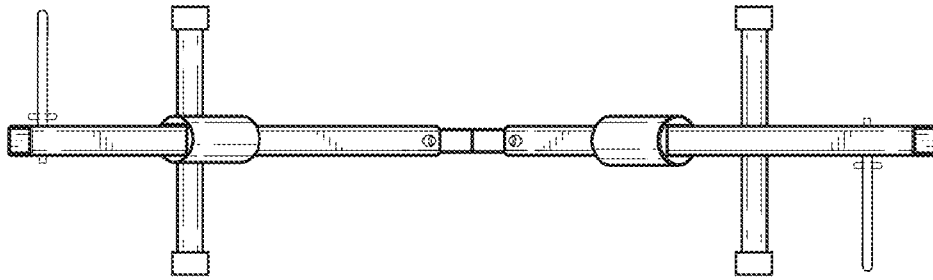


FIG. 6

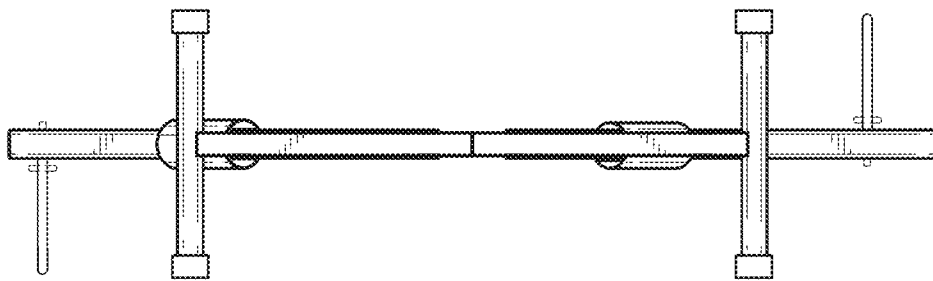


FIG. 7