



US00D750565S

(12) **United States Design Patent**
Venida et al.

(10) **Patent No.:** **US D750,565 S**

(45) **Date of Patent:** **** Mar. 1, 2016**

(54) **CHARGER**

(71) Applicant: **ACCO Brands Corporation**, Lake Zurich, IL (US)

(72) Inventors: **A. John Venida**, San Francisco, CA (US); **Peter A. Sgromo**, San Francisco, CA (US); **Barry Marshall**, Santa Clara, CA (US)

(73) Assignee: **ACCO Brands Corporation**, Lake Zurich, IL (US)

(**) Term: **14 Years**

(21) Appl. No.: **29/471,377**

(22) Filed: **Oct. 31, 2013**

(51) **LOC (10) Cl.** **13-03**

(52) **U.S. Cl.**
USPC **D13/144**

(58) **Field of Classification Search**
USPC D13/144, 101, 107, 108, 110, 118, 119, D13/133, 184, 199; D14/155, 432, 433, D14/434, 435.1, 356, 480.1, 480.7; 320/107, 108, 109, 110, 111, 112, 113, 320/114, 115; 439/300, 620.01, 638, 668, 439/669, 675, 825; 363/146
CPC H04B 1/00; H04B 1/20; H04B 1/207; H05K 5/0278; H01R 24/00; H01R 24/04; H01R 33/00; G06K 19/07732
See application file for complete search history.

(56) **References Cited**

U.S. PATENT DOCUMENTS

| | | |
|------------|---------|---------|
| D340,027 S | 10/1993 | Tortola |
| D406,259 S | 3/1999 | Lindahl |
| D474,739 S | 5/2003 | Chang |
| D562,766 S | 2/2008 | Yang |

| | | | |
|-----------------|---------|--------------------|---------|
| D573,946 S | 7/2008 | Ledbetter et al. | |
| D618,618 S * | 6/2010 | Lee | D13/108 |
| D632,650 S | 2/2011 | Rashid et al. | |
| D638,355 S | 5/2011 | Chen | |
| D638,356 S | 5/2011 | Chen | |
| D653,619 S * | 2/2012 | Tien | D13/144 |
| D656,465 S * | 3/2012 | Au | D13/144 |
| D672,313 S * | 12/2012 | Smith | D13/144 |
| D682,202 S | 5/2013 | Weaver, Jr. et al. | |
| D682,781 S | 5/2013 | Wakafuji et al. | |
| D721,328 S | 1/2015 | Freeman et al. | |
| 2013/0307464 A1 | 11/2013 | Zhu | |

FOREIGN PATENT DOCUMENTS

WO 2012094518 7/2012

OTHER PUBLICATIONS

Co-pending Design U.S. Appl. No. 29/471,375, filed Oct. 31, 2013.

* cited by examiner

Primary Examiner — Derrick Holland

(74) *Attorney, Agent, or Firm* — Michael Best & Friedrich LLP

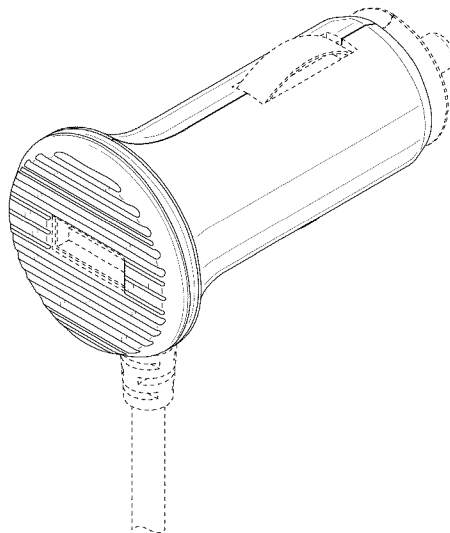
(57) **CLAIM**

The ornamental design for a charger, as shown and described.

DESCRIPTION

FIG. 1 is a perspective view of a charger.
FIG. 2 is a first end view of the charger of FIG. 1.
FIG. 3 is a second end view of the charger of FIG. 1.
FIG. 4 is a first side view of the charger of FIG. 1.
FIG. 5 is a second side view of the charger of FIG. 1.
FIG. 6 is a third side view of the charger of FIG. 1; and,
FIG. 7 is a fourth side view of the charger of FIG. 1.
The broken lines shown represent unclaimed subject matter and form no part of the claimed design.

1 Claim, 7 Drawing Sheets



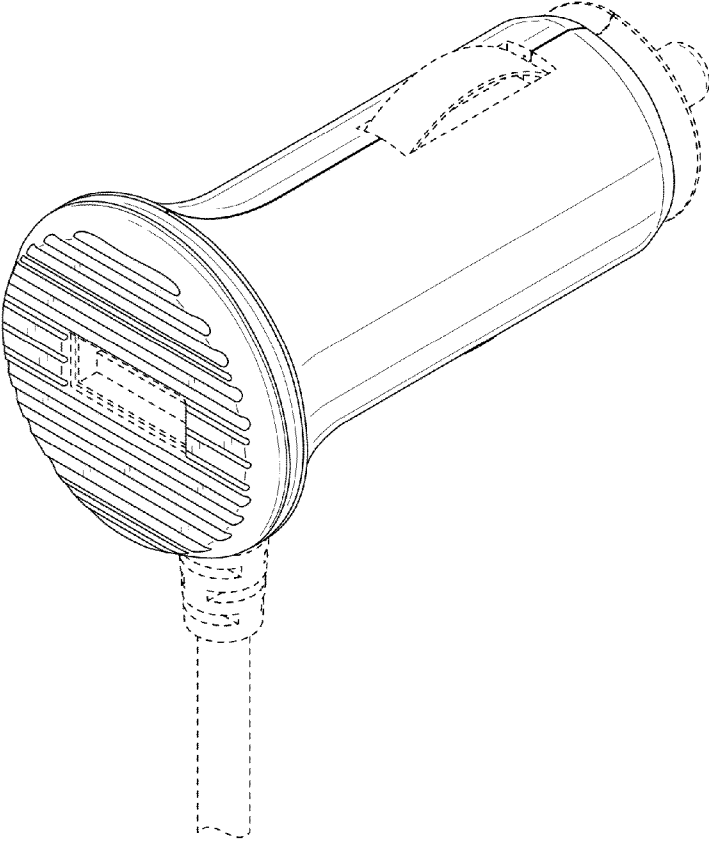


FIG. 1

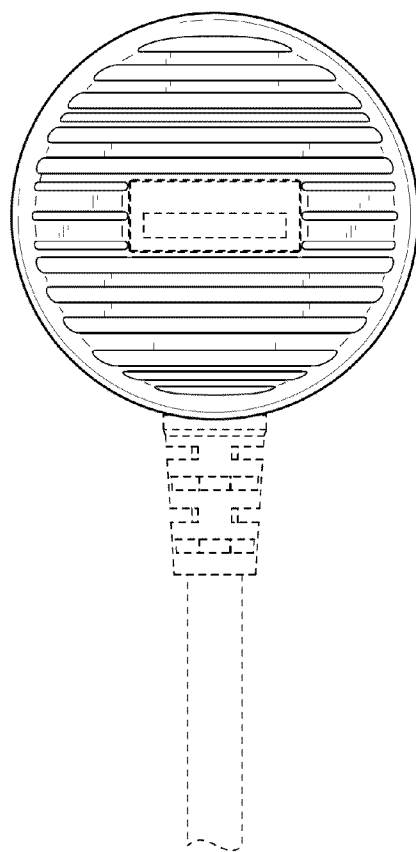


FIG. 2

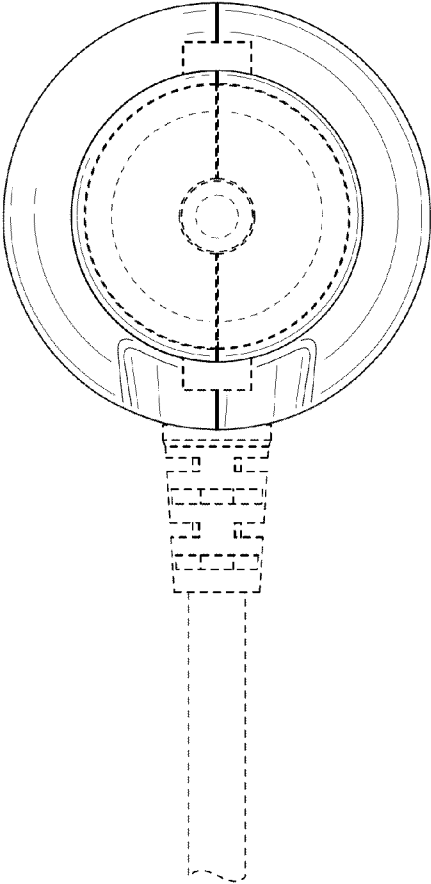


FIG. 3

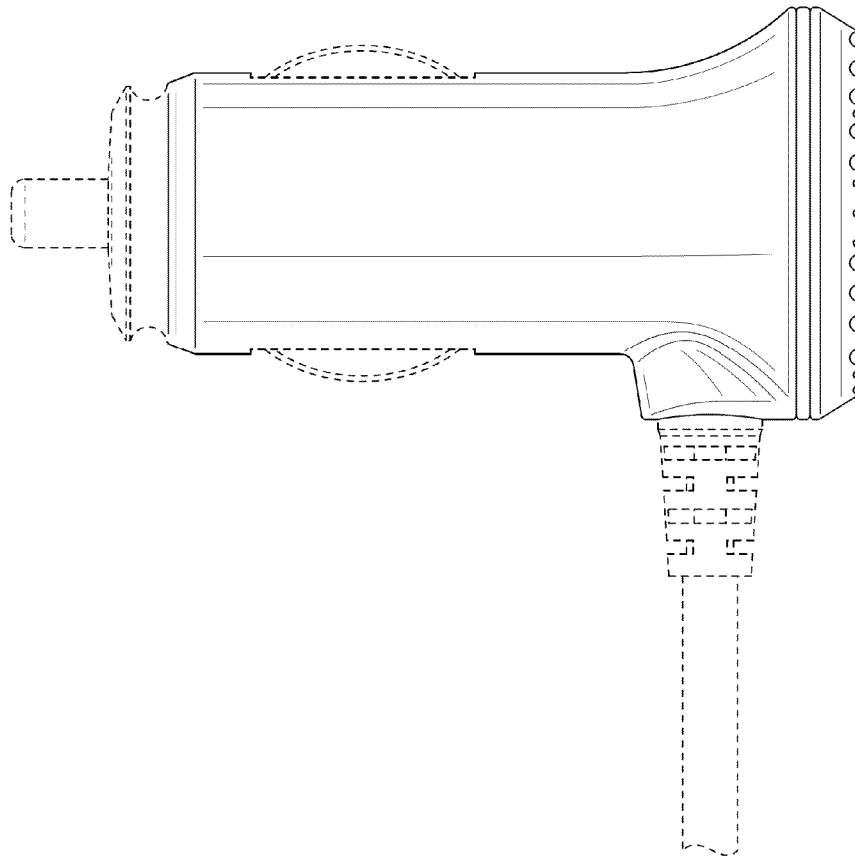


FIG. 4

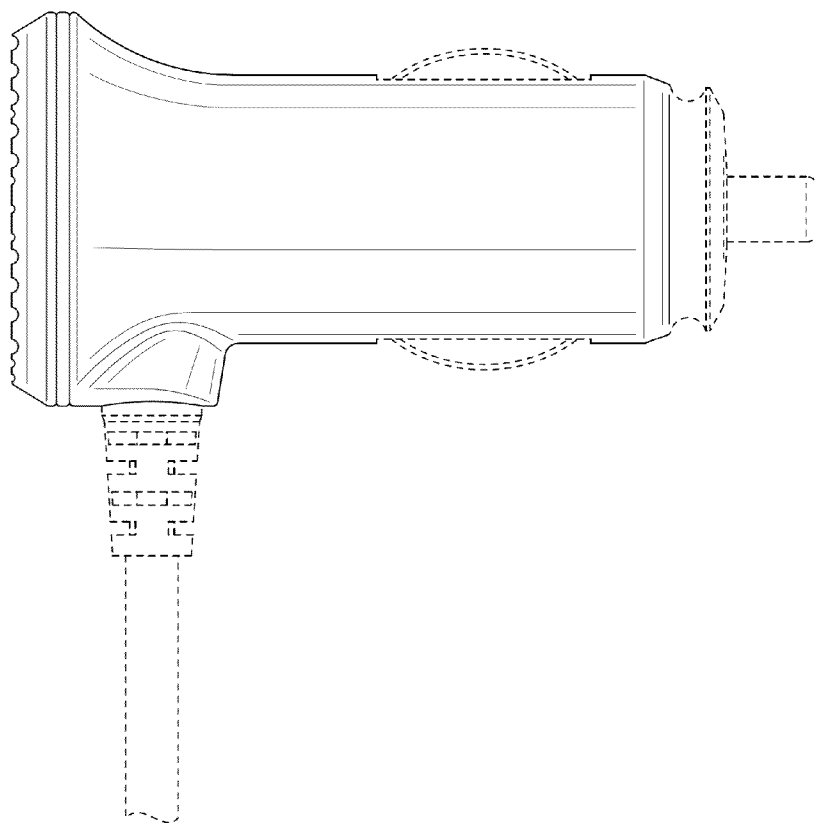


FIG. 5

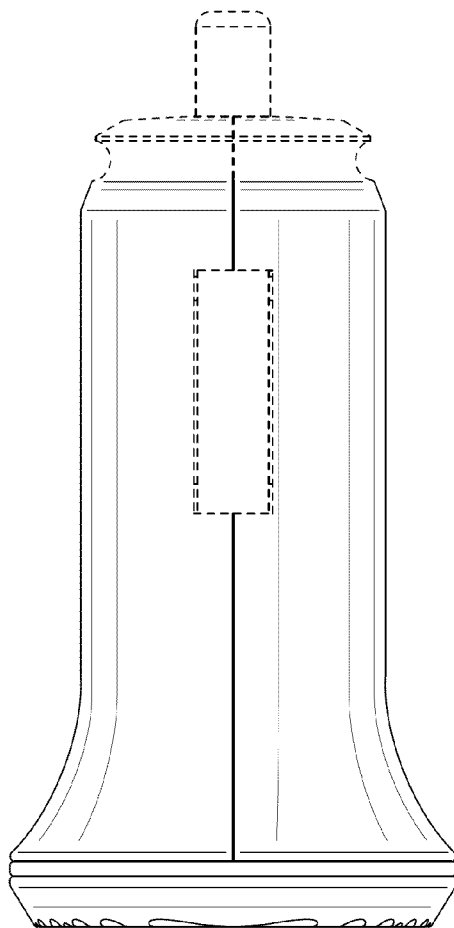


FIG. 6

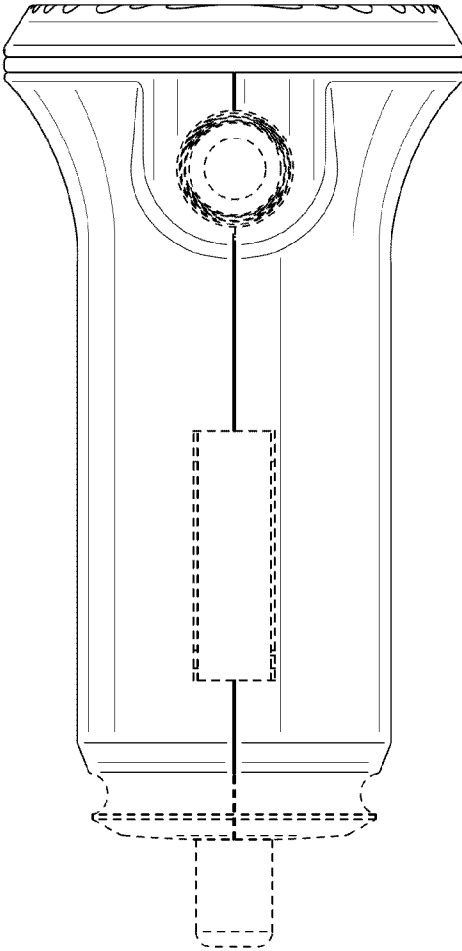


FIG. 7