



US00D940278S

(12) **United States Design Patent**
Stoler et al.

(10) **Patent No.:** **US D940,278 S**
(45) **Date of Patent:** **** Jan. 4, 2022**

(54) **FAUCET**

(71) Applicant: **DELTA FAUCET COMPANY,**
Indianapolis, IN (US)

(72) Inventors: **Benjamin David Stoler,** Carmel, IN
(US); **Thad Eads,** Urbana, IN (US)

(73) Assignee: **DELTA FAUCET COMPANY,**
Indianapolis, IN (US)

(**) Term: **15 Years**

(21) Appl. No.: **29/723,334**

(22) Filed: **Feb. 6, 2020**

(51) **LOC (13) Cl.** **23-01**

(52) **U.S. Cl.**
USPC **D23/238**

(58) **Field of Classification Search**
USPC D23/238-244, 252, 254-255, 257;
D8/307-308
CPC F16K 31/602; F16K 31/605; F16K 31/607;
E03C 1/0412
See application file for complete search history.

(56) **References Cited**

U.S. PATENT DOCUMENTS

D683,822 S *	6/2013	Kwok	D23/238
D686,300 S *	7/2013	Fritz	D23/238
D754,294 S *	4/2016	Garland	D23/238
D828,508 S *	9/2018	Fritz	D23/238
D835,236 S *	12/2018	Ziemann	D23/238
D835,237 S *	12/2018	Ziemann	D23/238
D840,509 S *	2/2019	Garland	D23/238
D860,392 S *	9/2019	Garland	D23/238
D869,610 S *	12/2019	Garland	D23/238
D870,852 S *	12/2019	Eads	D23/238
D871,547 S *	12/2019	Eads	D23/238
D872,235 S *	1/2020	Garland	D23/238
D873,379 S *	1/2020	Fritz	D23/238
D873,380 S *	1/2020	Judge	D23/238

D873,960 S *	1/2020	Fritz	D23/238
D874,613 S *	2/2020	Park	D23/238
D875,215 S *	2/2020	Bahler	D23/238
D890,302 S *	7/2020	Chen	D23/238
D913,433 S *	3/2021	Ao	D23/238

(Continued)

FOREIGN PATENT DOCUMENTS

CN	303020854	*	6/2014
CN	304817718	*	8/2018
CN	304909329	*	10/2018

OTHER PUBLICATIONS

Moen S53004 Weymouth Shepherd's Hook Pulldown Kitchen Bar Faucet Featuring Metal Wand with Power Clean, announced Dec. 17, 2018[online], [site visited Feb. 9, 2021]. Available from internet, URL:<<https://www.amazon.com/Moen-S53004NL-Weymouth-Shepherds-Featuring/dp/B07PZDPK11?th=1>> (Year: 2018).*

(Continued)

Primary Examiner — Barbara Fox
Assistant Examiner — Jamaal Rasheed
(74) *Attorney, Agent, or Firm* — Nirav D. Parikh; Edgar A. Zarins

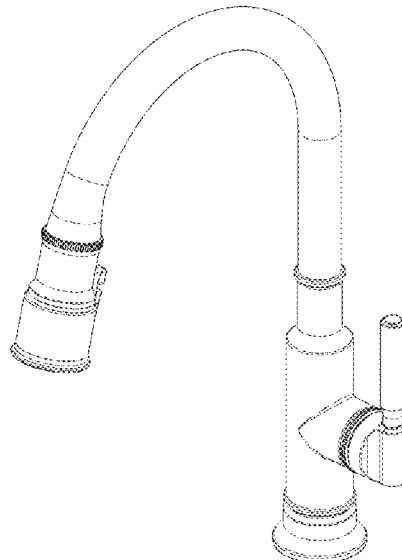
(57) **CLAIM**

The ornamental design for a faucet, as shown and described.

DESCRIPTION

FIG. 1 is a front perspective view of a faucet showing our new design;
FIG. 2 is a rear perspective view thereof;
FIG. 3 is a front elevational view thereof;
FIG. 4 is a left side view thereof;
FIG. 5 is a rear view thereof;
FIG. 6 is a right side view thereof; and,
FIG. 7 is a top plan view thereof.

1 Claim, 4 Drawing Sheets



(56)

References Cited

U.S. PATENT DOCUMENTS

D913,436	S	*	3/2021	Zhu	D23/238
D913,440	S	*	3/2021	Zeng	D23/238
D914,144	S	*	3/2021	Levi	D23/238
D914,150	S	*	3/2021	He	D23/238
D914,846	S	*	3/2021	Zhang	D23/238
2016/0145840	A1	*	5/2016	de Swarte	E03C 1/0412 137/625.4

OTHER PUBLICATIONS

APPASO Pull Down Kitchen Faucet, first available Dec. 24, 2018[online], [site visited Apr. 9, 2021]. Available from internet, URL:< <https://www.amazon.com/APPASO-Kitchen-Magnetic-Docking-Sprayer/dp/B07MGRB9KW> > (Year: 2018).*

Moen Brantford Motionsense Wave Touchless One-Handle Pulldown Kitchen Faucet, announced Dec. 1, 2018[online], [site visited Feb. 5, 2021]. Available from internet, URL:<<https://www.amazon.com/Moen-Brantford-Motionsense-One-Handle-7185EWC/dp/B07MHJX584>> (Year: 2018).*

* cited by examiner

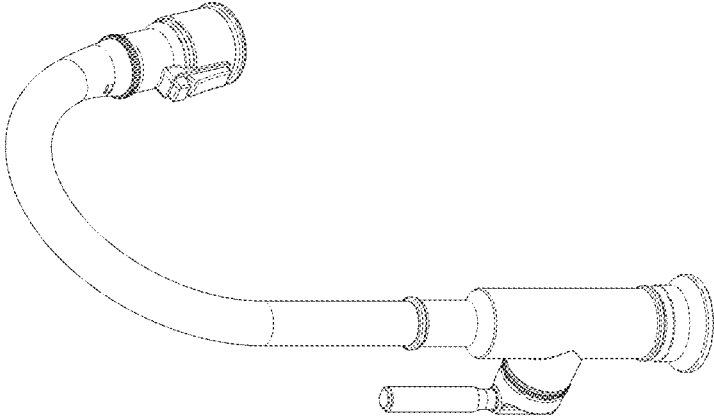


FIG - 2

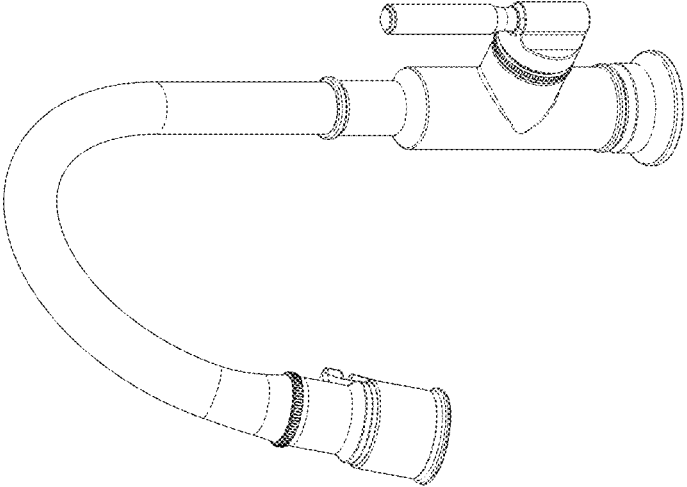


FIG - 1

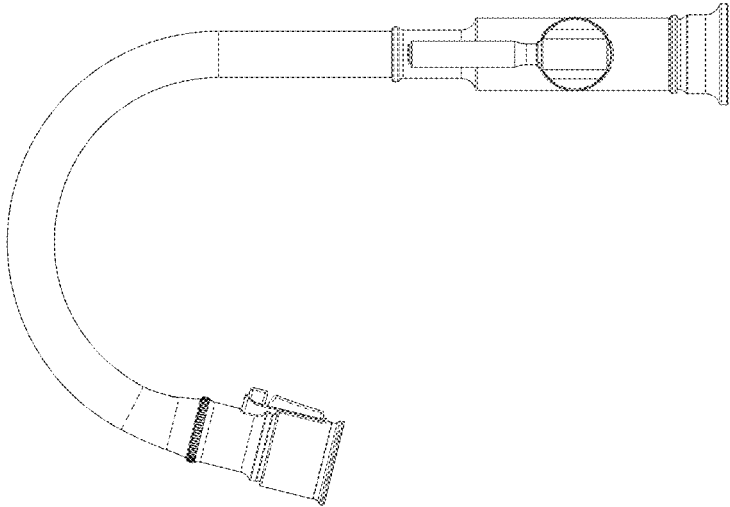


FIG - 4

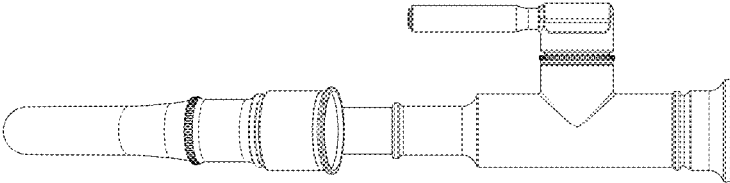


FIG - 3

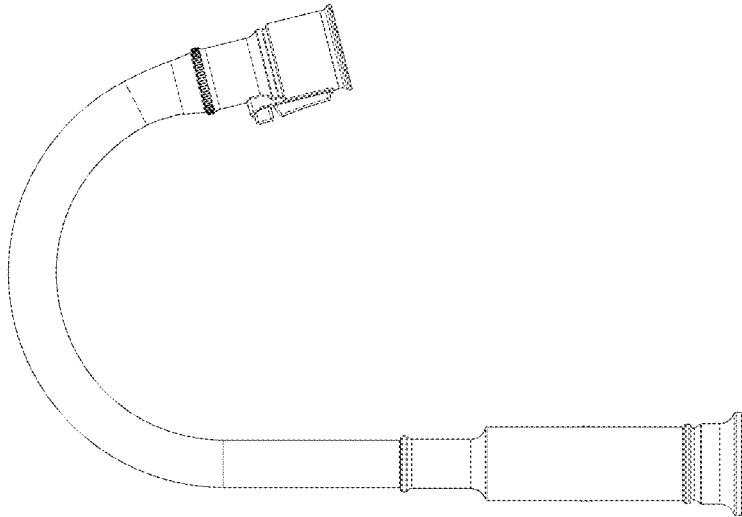


FIG - 6

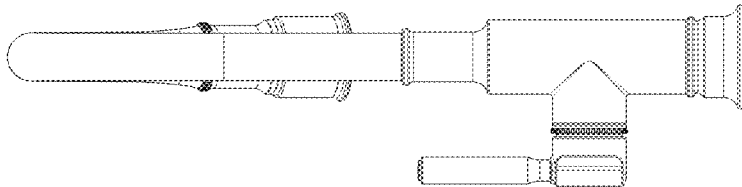


FIG - 5

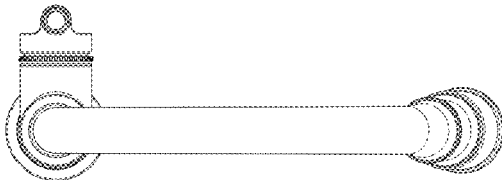


FIG - 7