

CORRECTED VERSION

(19) World Intellectual Property Organization International Bureau



(10) International Publication Number WO 2011/112909 A8

(43) International Publication Date 15 September 2011 (15.09.2011)

- (51) International Patent Classification: H04B 1/04 (2006.01) H04L 12/10 (2006.01) ... (71) Applicant (for all designated States except US): SUNRISE MICRO DEVICES, INC. [US/US]; 9181 Glades Rd., Ste 125, Boca Raton, FL 33434 (US).

[Continued on next page]

(54) Title: POWER EFFICIENT COMMUNICATIONS

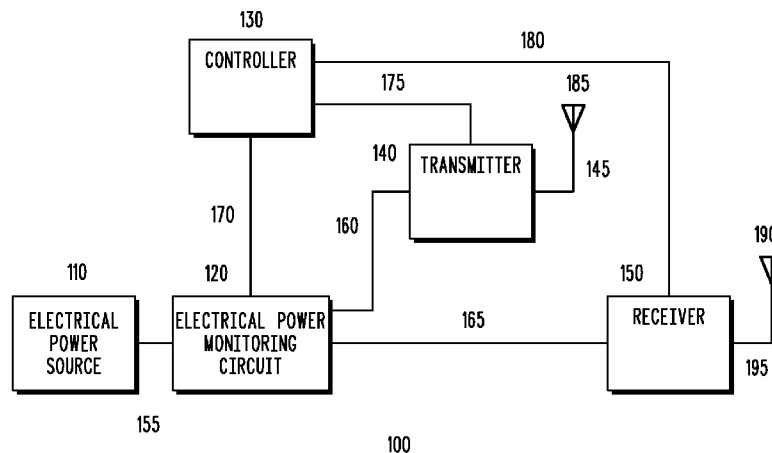


FIG. 1

(57) Abstract: A method, system, and device provide power-efficient communications within the context of available power. Transmission and receipt data rates are scalable in accordance with output power available from a power source. Data is transmitted at a data rate determined, at least in part, by the available output power.

WO 2011/112909 A8



TR), OAPI (BF, BJ, CF, CG, CI, CM, GA, GN, GQ, GW,
ML, MR, NE, SN, TD, TG).

(48) Date of publication of this corrected version:

2 August 2012

Published:

— *with international search report (Art. 21(3))*

(15) Information about Correction:

see Notice of 2 August 2012

(88) Date of publication of the international search report:

29 December 2011