



US00D904415S

(12) **United States Design Patent**  
**Lee et al.**

(10) **Patent No.:** **US D904,415 S**  
(45) **Date of Patent:** **\*\* Dec. 8, 2020**

- (54) **PROTECTIVE COVER SKIN FOR ELECTRONIC DEVICE**
- (71) Applicant: **elago CO. LTD**, Goyang-si (KR)
- (72) Inventors: **Chanwoo Lee**, Goyang-si (KR); **Chong Min Kim**, Seoul (KR)
- (73) Assignee: **elago CO. LTD**, Goyang-si (KR)
- (\*\*) Term: **15 Years**
- (21) Appl. No.: **29/715,010**
- (22) Filed: **Nov. 27, 2019**
- (51) **LOC (12) Cl.** ..... **14-02**
- (52) **U.S. Cl.**  
USPC ..... **D14/440**
- (58) **Field of Classification Search**  
USPC ..... D14/440, 447, 250; 206/45.23, 320, 206/45.2; 361/679.55; 294/25; 224/218; D3/294, 218; D9/420, 606  
CPC .... G06F 1/1628; G06F 1/1626; A47B 23/044  
See application file for complete search history.

- D764,476 S \* 8/2016 Gleason, III ..... D14/440
- D784,683 S \* 4/2017 Stewart ..... D3/215
- D796,151 S \* 9/2017 Rescate ..... D2/719
- D810,421 S \* 2/2018 Ross ..... D3/203.1
- D814,141 S \* 4/2018 Yassa ..... D2/719
- D817,640 S \* 5/2018 Dang ..... D3/294
- D818,268 S \* 5/2018 Akana ..... D3/294
- D844,388 S \* 4/2019 Wampold ..... D7/606
- D846,264 S \* 4/2019 Wu ..... D3/201

(Continued)

*Primary Examiner* — Cynthia R Underwood

(74) *Attorney, Agent, or Firm* — Paratus Law Group, PLLC

(57) **CLAIM**

The ornamental design for a protective cover skin for electronic device, as shown and described.

**DESCRIPTION**

FIG. 1 is a front, top, and, right perspective view of a protective cover skin for electronic device, showing the claimed design;

FIG. 2 is a front view thereof;

FIG. 3 is a back view thereof;

FIG. 4 is a left side view thereof;

FIG. 5 is a right side view thereof;

FIG. 6 is a top view thereof;

FIG. 7 is a bottom view thereof;

FIG. 8 is a top, back, and right perspective view thereof;

FIG. 9 is a back, bottom, and right perspective view thereof; and,

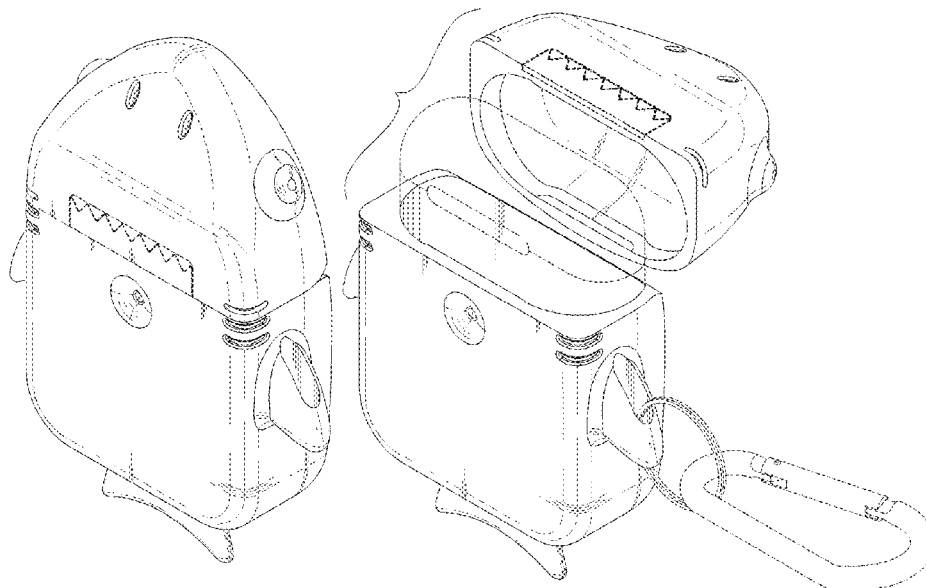
FIG. 10 is a front, top, and right perspective view thereof with a top portion open in use.

The broken lines shown in FIGS. 1-3 depict parts of the protective cover skin for electronic device and form no part of the claimed design. The broken lines shown in FIG. 10 depict parts of the protective cover skin for electronic device or environment and form no part of the claimed design.

(56) **References Cited**  
U.S. PATENT DOCUMENTS

- D2,522 S \* 12/1866 Ware ..... D9/606
- D323,929 S \* 2/1992 Hodson ..... D14/440
- D377,788 S \* 2/1997 Carlson ..... D14/440
- D447,049 S \* 8/2001 Vandervort ..... D9/606
- D467,799 S \* 12/2002 Persson ..... D9/420
- D472,382 S \* 4/2003 Larsen ..... D3/271.2
- D558,973 S \* 1/2008 Hussaini ..... D3/201
- D659,484 S \* 5/2012 Schwartz ..... D7/628
- D695,071 S \* 12/2013 Franco ..... D7/516
- D699,033 S \* 2/2014 Welch ..... D3/216
- D714,296 S \* 9/2014 Fujioka ..... D14/440
- D720,096 S \* 12/2014 McDougall ..... D28/66
- D740,692 S \* 10/2015 Christie ..... D9/748
- D758,201 S \* 6/2016 Sehl ..... D9/606

**1 Claim, 9 Drawing Sheets**



(56)

## References Cited

## U.S. PATENT DOCUMENTS

D849,401	S	*	5/2019	Akana	.....	D3/274
D864,971	S	*	10/2019	Lee	.....	D14/440
D868,453	S	*	12/2019	Lee	.....	D3/201
D872,094	S	*	1/2020	Wright	.....	D14/440
D873,217	S	*	1/2020	Zhang	.....	D13/108
D876,821	S	*	3/2020	Lee	.....	D3/203.3
D881,179	S	*	4/2020	Wright	.....	D14/250
D883,657	S	*	5/2020	Luo	.....	D3/216
D886,445	S	*	6/2020	Hyun	.....	D3/201
D887,401	S	*	6/2020	Wright	.....	D14/250
D888,036	S	*	6/2020	Wright	.....	D14/250
D888,037	S	*	6/2020	Wright	.....	D14/250
D888,038	S	*	6/2020	Wright	.....	D14/250
D888,039	S	*	6/2020	Wright	.....	D14/250
D888,040	S	*	6/2020	Wright	.....	D14/250
D888,041	S	*	6/2020	Wright	.....	D14/250
D888,042	S	*	6/2020	Wright	.....	D14/250
D888,043	S	*	6/2020	Wright	.....	D14/250
D892,497	S	*	8/2020	Wright	.....	D3/294
D892,498	S	*	8/2020	Wright	.....	D3/294
D893,170	S	*	8/2020	Lee	.....	D3/218
D897,089	S	*	9/2020	Stauffer	.....	D2/972
2007/0256946	A1	*	11/2007	Godshaw	.....	B65D 43/16 206/320

\* cited by examiner

FIG. 1

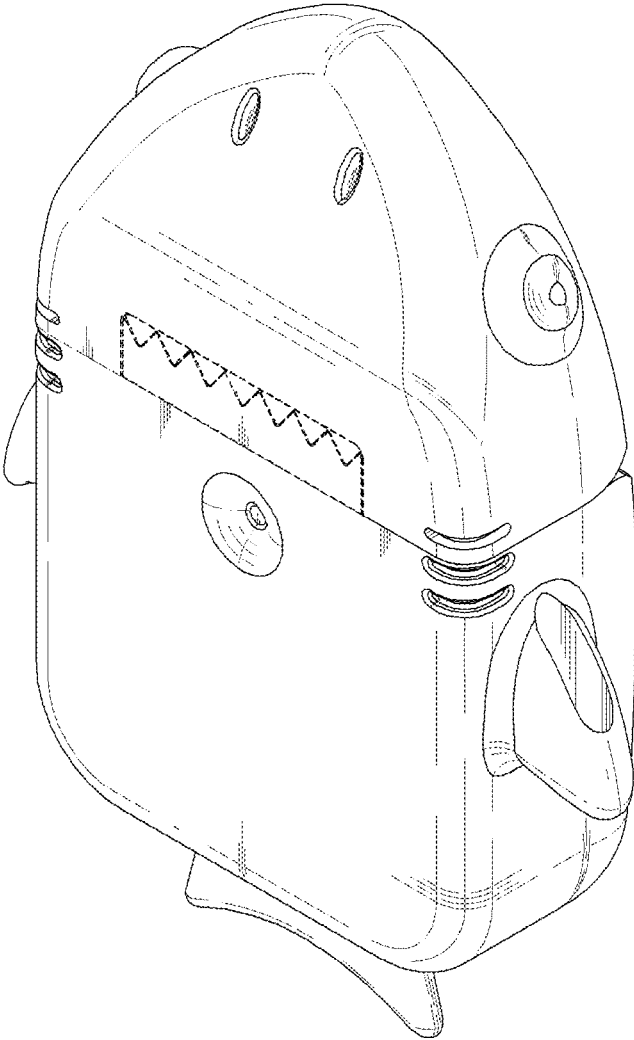


FIG. 2

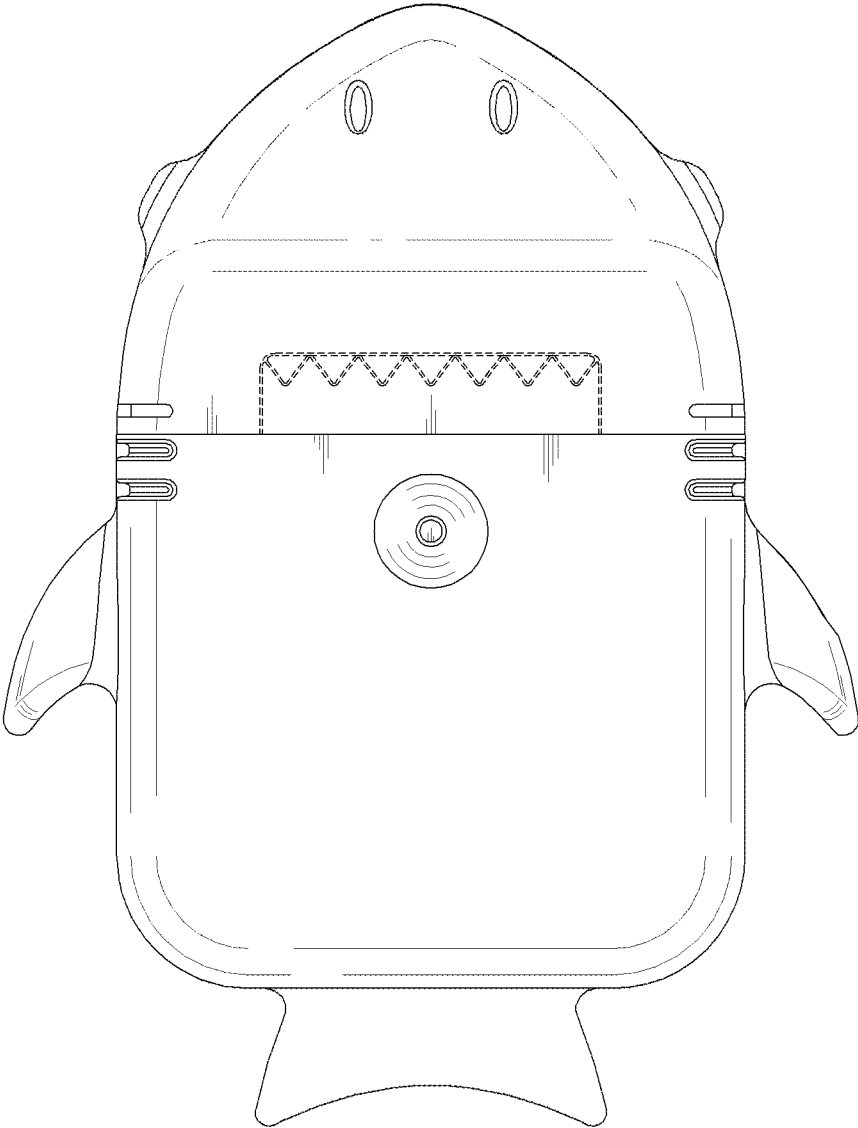


FIG. 3

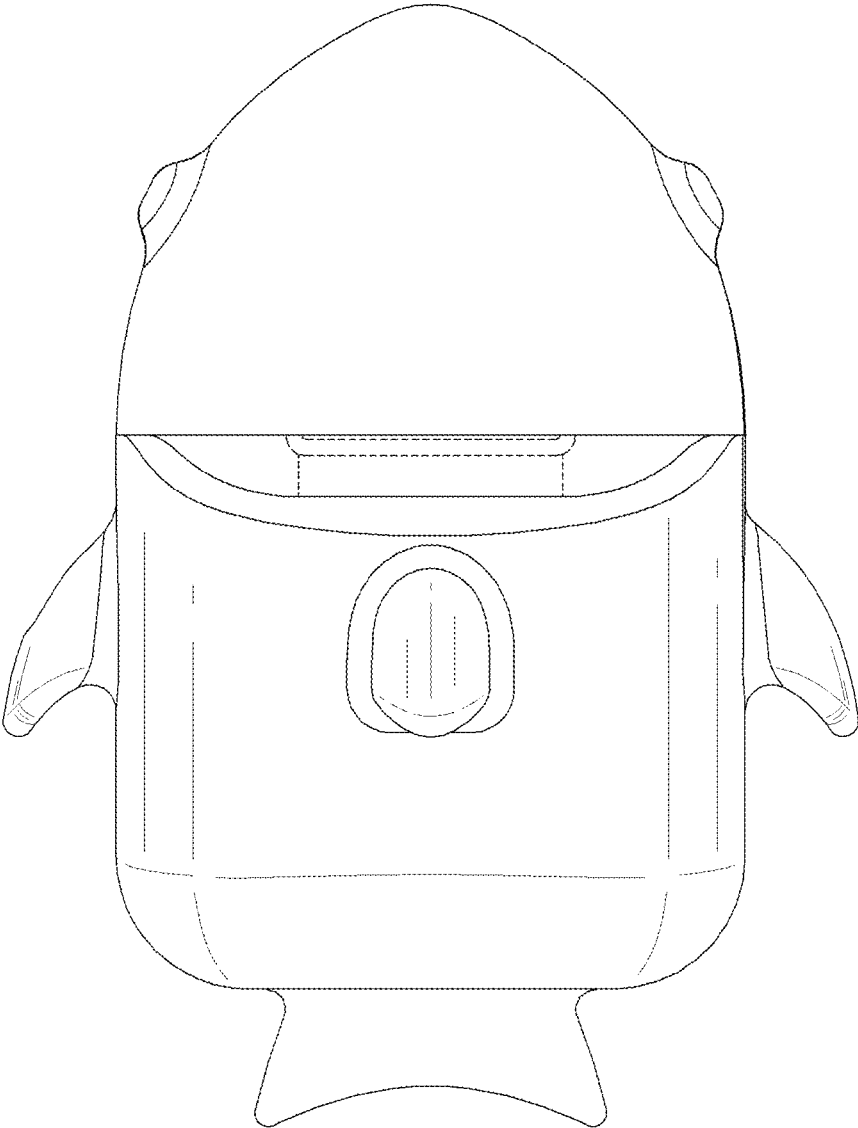


FIG. 4

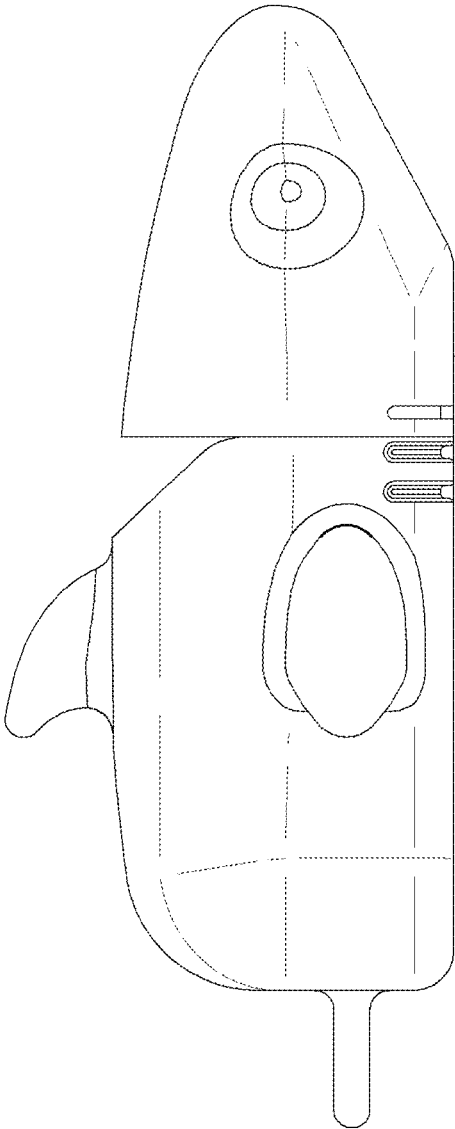


FIG. 5

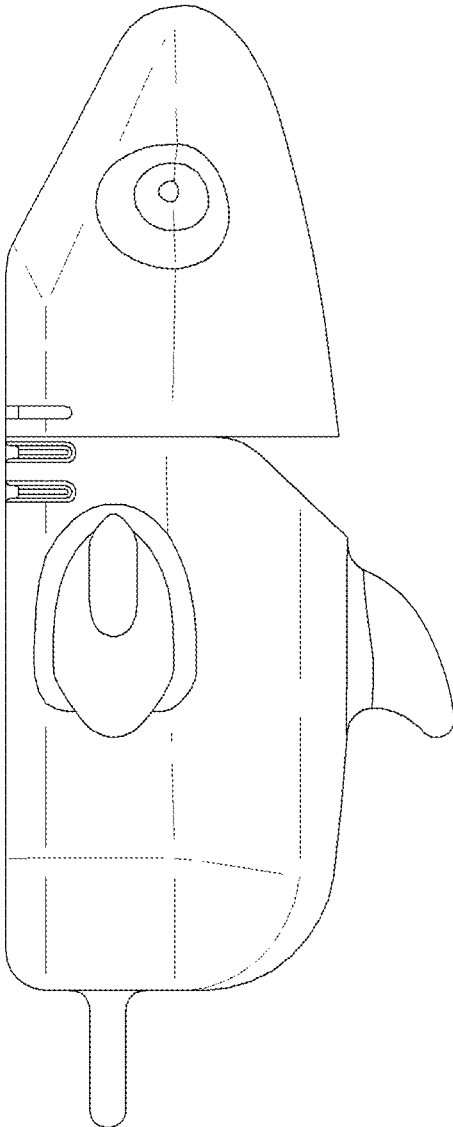


FIG. 6

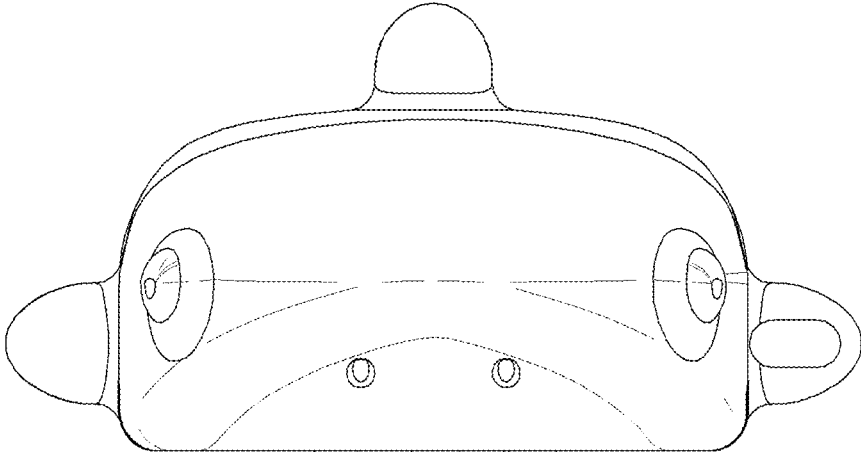


FIG. 7

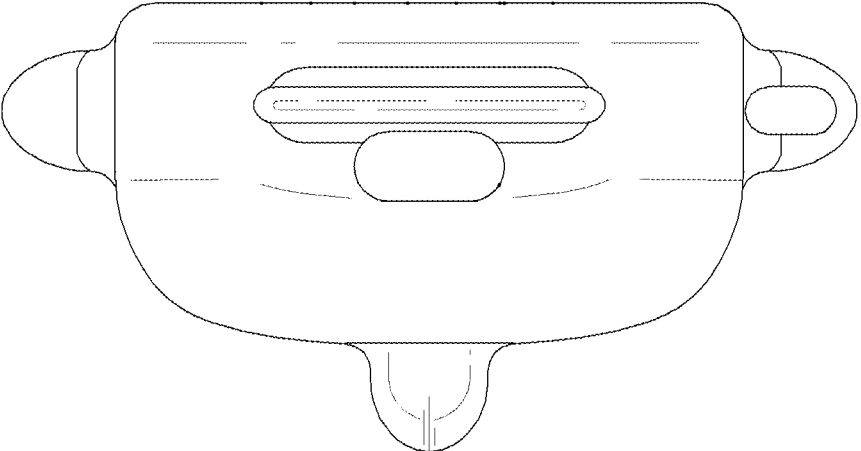




FIG. 8

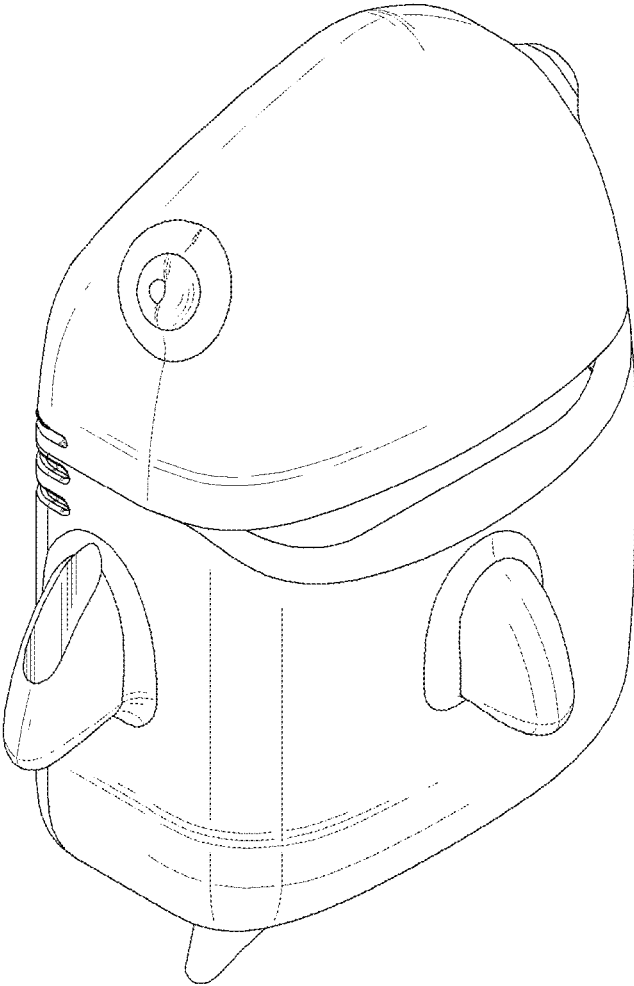


FIG. 9

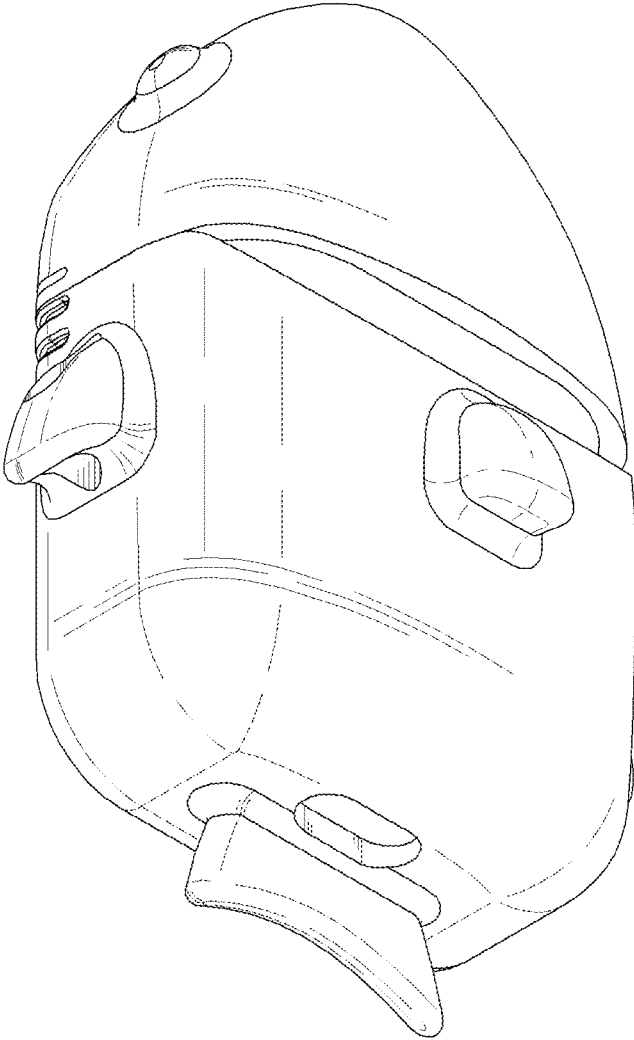


FIG. 10

