



(12) **United States Design Patent**
Gorman et al.

(10) **Patent No.:** **US D789,099 S**
(45) **Date of Patent:** **** Jun. 13, 2017**

(54) **DISPLAY STAND**

(71) Applicant: **Apple Inc.**, Cupertino, CA (US)
(72) Inventors: **Michael Gorman**, Dublin, OH (US);
Gabriel Lamb, San Francisco, CA (US); **Manuel Reza**, Sunnyvale, CA (US); **Mi Zou**, San Francisco, CA (US)

(73) Assignee: **Apple Inc.**, Cupertino, CA (US)

(**) Term: **15 Years**

(21) Appl. No.: **29/557,355**

(22) Filed: **Mar. 8, 2016**

(51) **LOC (10) Cl.** **06-07**

(52) **U.S. Cl.**
USPC **D6/312**

(58) **Field of Classification Search**
USPC D6/310, 312, 513, 552, 682; D21/702,
D21/822, 826; D24/184, 231, 169;
D34/33, 35; D23/295
CPC A47G 1/16
See application file for complete search history.

(56) **References Cited**

U.S. PATENT DOCUMENTS

D334,492 S *	4/1993	Morello	D6/682.1
D472,728 S *	4/2003	Harris	D6/406.3
D478,257 S *	8/2003	Fredrickson	D3/315
D487,910 S *	3/2004	Wine	D21/698
D609,495 S *	2/2010	Adams	D6/656.11
D618,378 S *	6/2010	Huang	D26/93
D623,329 S *	9/2010	Huang	D26/63

D693,308 S *	11/2013	Beldock	D13/139.4
D703,813 S *	4/2014	Bolia	D24/133
D724,072 S *	3/2015	Jiang	D14/253
9,345,941 B1 *	5/2016	Celedon	A63H 37/00
D765,996 S *	9/2016	Dolar	A47G 1/16 D6/312
D782,232 S *	3/2017	Procter	D6/700

* cited by examiner

Primary Examiner — Mark Goodwin
Assistant Examiner — Melvin Davis
(74) *Attorney, Agent, or Firm* — Sterne, Kessler,
Goldstein & Fox P.L.L.C.

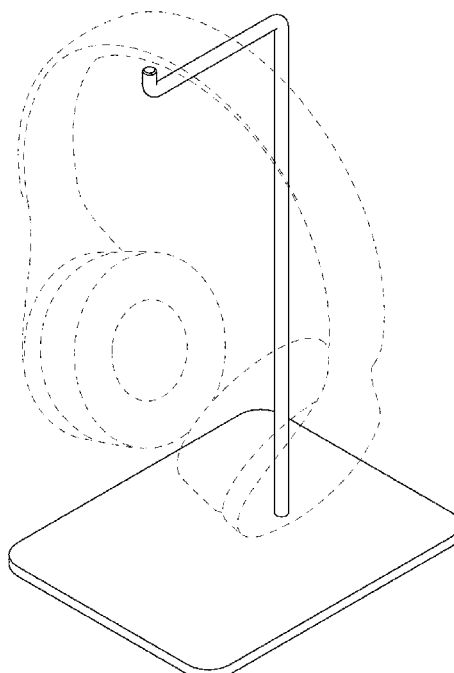
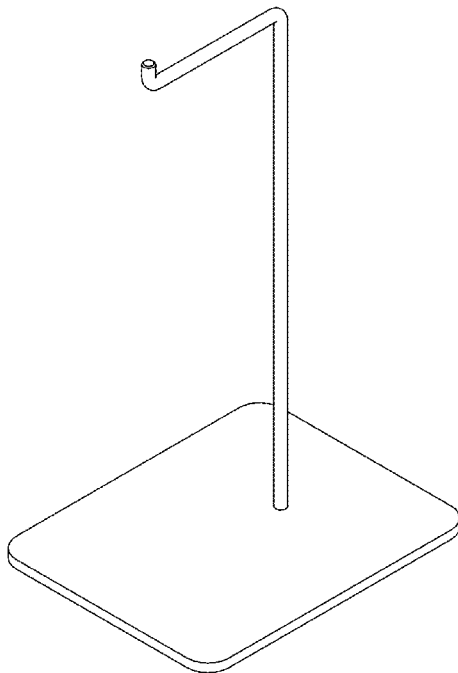
(57) **CLAIM**

The ornamental design for a display stand, as shown and described.

DESCRIPTION

FIG. 1 is a top front perspective view of a display stand showing our new design;
FIG. 2 is a front view thereof;
FIG. 3 is a rear view thereof;
FIG. 4 is a left side view thereof;
FIG. 5 is a right side view thereof;
FIG. 6 is a top view thereof;
FIG. 7 is a bottom view thereof; and,
FIG. 8 is a top front perspective view thereof in an environment in which it may be used.
The broken lines in the figures show portions of the display stand that form no part of the claimed design.

1 Claim, 5 Drawing Sheets



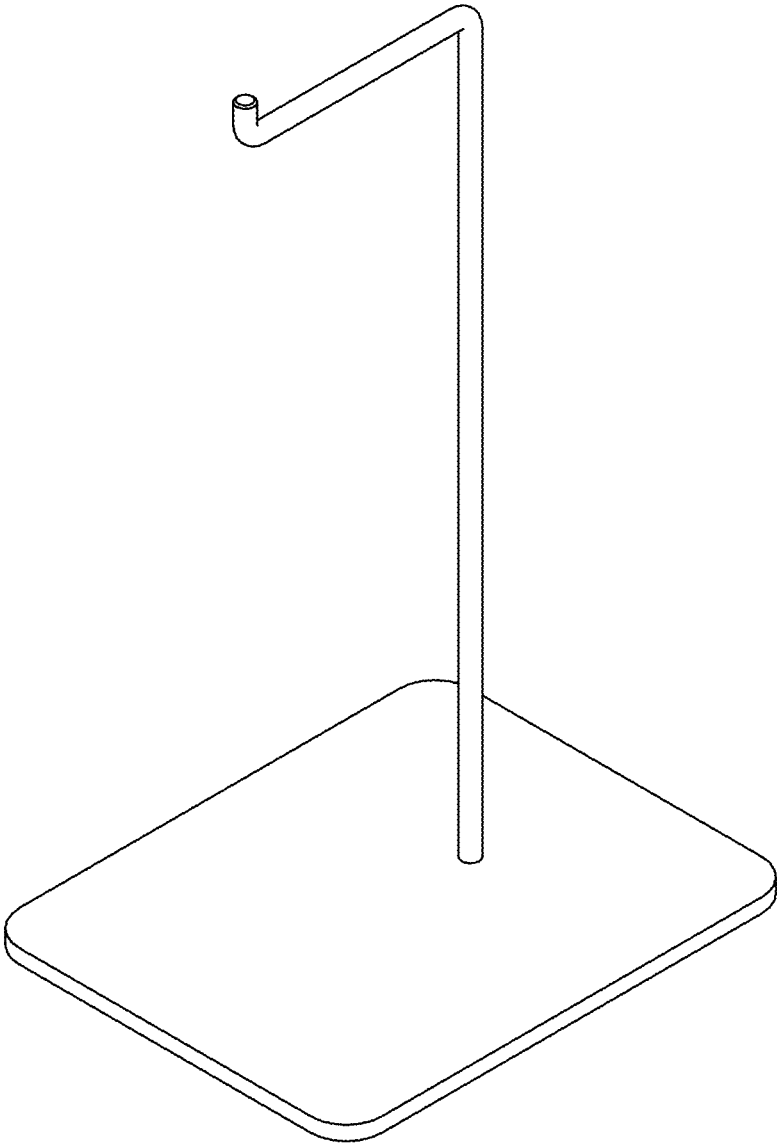


FIG. 1

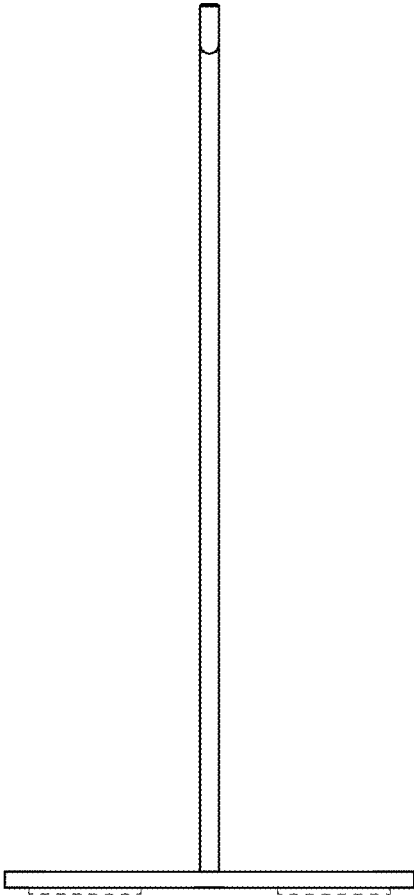


FIG. 2

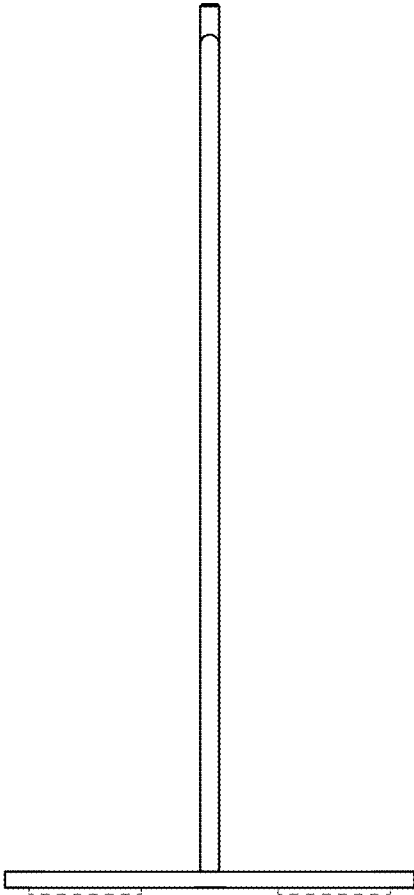


FIG. 3

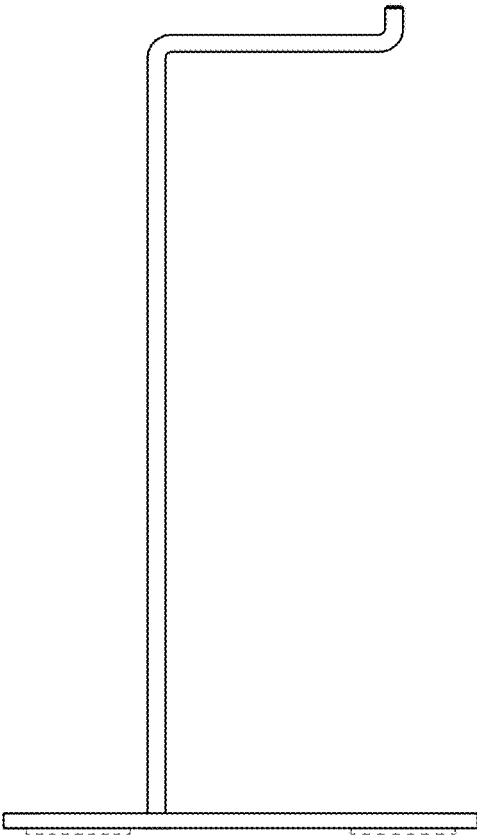


FIG. 4

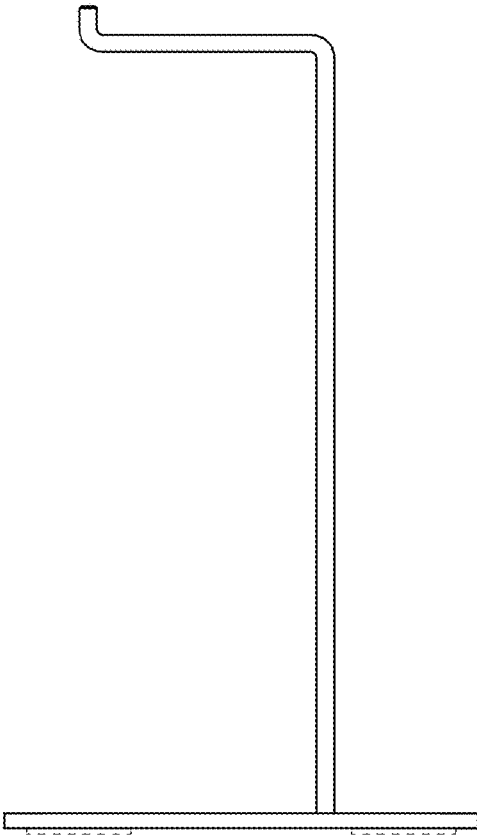


FIG. 5

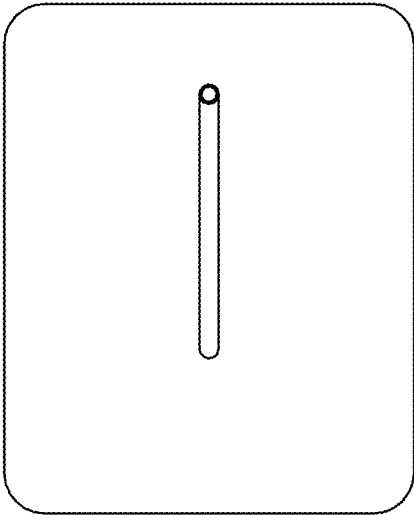


FIG. 6

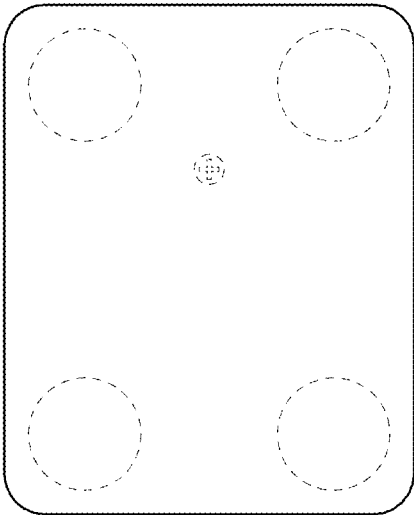


FIG. 7

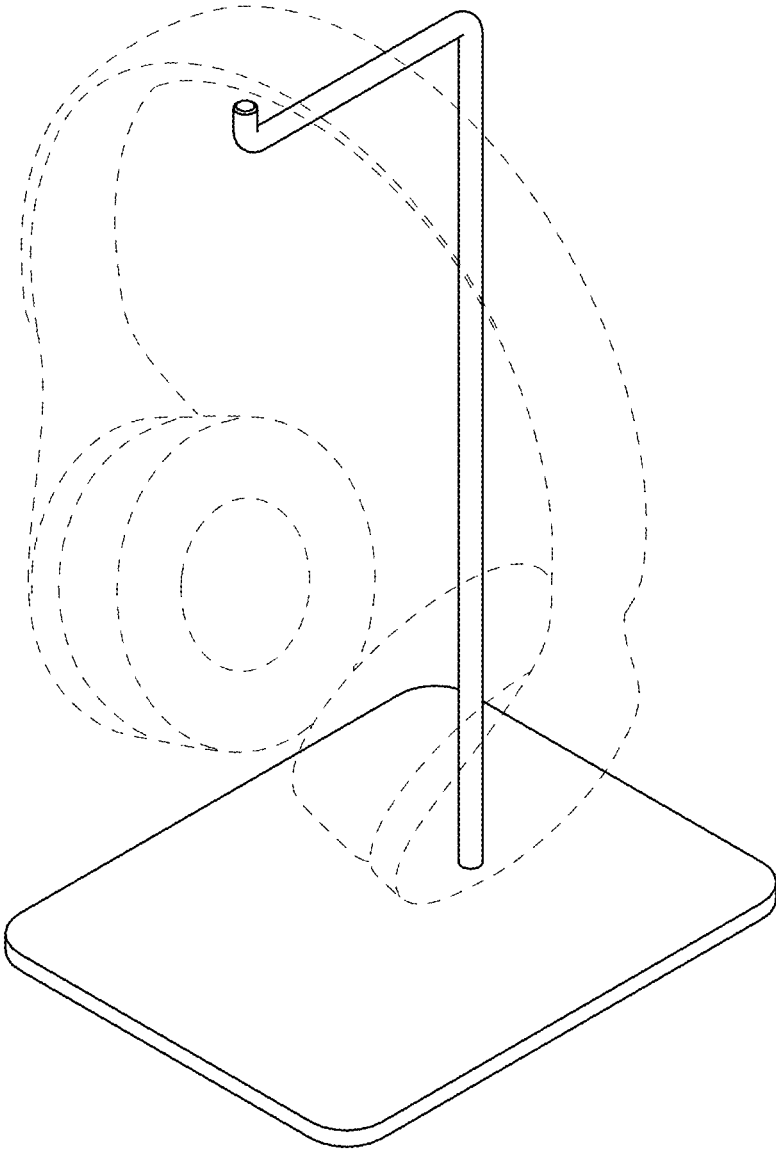


FIG. 8