



US00D744827S

(12) **United States Design Patent**  
**Markoulis et al.**

(10) **Patent No.:** **US D744,827 S**

(45) **Date of Patent:** **\*\* Dec. 8, 2015**

(54) **CONTAINER**

(71) Applicant: **Kraft Foods Group Brands LLC**,  
Northfield, IL (US)

(72) Inventors: **Shelley Markoulis**, Wycoff, NJ (US);  
**Piaras Valdis de Cleir**, Tarrytown, NY  
(US); **Niketa Mohler**, Ossining, NY  
(US); **Stuart Leslie**, Larchmont, NY  
(US); **Diya Sen**, Forest Hills, NY (US);  
**Jason Billig**, Mount Vernon, NY (US)

(73) Assignee: **Kraft Foods Group Brands LLC**,  
Northfield, IL (US)

(\*\*) Term: **14 Years**

(21) Appl. No.: **29/465,013**

(22) Filed: **Aug. 22, 2013**

**Related U.S. Application Data**

(62) Division of application No. 29/404,933, filed on Oct.  
26, 2011, now Pat. No. Des. 691,468.

(51) **LOC (10) Cl.** ..... **09-03**

(52) **U.S. Cl.**

USPC ..... **D9/428**

(58) **Field of Classification Search**

USPC ..... D9/414, 415, 416, 417, 419, 421, 424,  
D9/425, 428, 429; D7/318, 319, 619.1,  
D7/629; 229/400-406, 906.1;  
220/656-659, 669-675, 912,  
220/4.21-4.27; 206/553, 557, 541, 775,  
206/776, 217

CPC ..... A47J 36/06; A47J 47/14; B65D 1/165;  
B65D 15/08; B65D 21/083; B65D 21/0234;  
B65D 43/162; B65D 71/50; B65D 77/24;  
B65D 81/3869; B65D 2543/00046; B65D  
2543/00055; B65D 2543/00083; B65D  
2543/00092; B65D 2543/00296

See application file for complete search history.

(56) **References Cited**

U.S. PATENT DOCUMENTS

604,514 A \* 5/1898 Belden ..... 215/382  
1,331,372 A 5/1898 Popper

(Continued)

FOREIGN PATENT DOCUMENTS

FR 2205045 5/1974  
GB 1427375 3/1976

(Continued)

OTHER PUBLICATIONS

“Deli Pot Topper” Pregis.

(Continued)

*Primary Examiner* — Karen S Acker

*Assistant Examiner* — Wendy Arminio

(74) *Attorney, Agent, or Firm* — Fitch, Even, Tabin &  
Flannery LLP

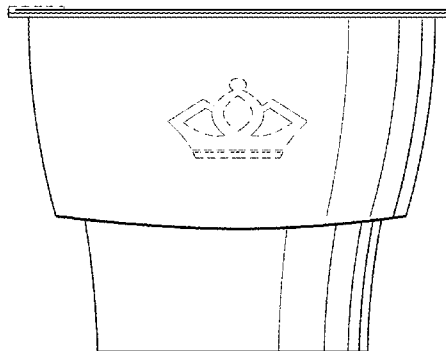
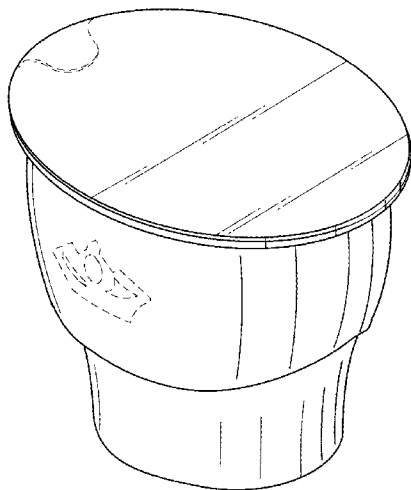
(57) **CLAIM**

The ornamental design for a container, as shown and  
described.

**DESCRIPTION**

FIG. 1 is a perspective view of a container showing our new  
design;  
FIG. 2 is a front elevational view of the container of FIG. 1,  
the rear elevational view being a mirror image thereof;  
FIG. 3 is a right side elevational view of the container of FIG.  
1, the left side elevational view being a mirror image thereof;  
FIG. 4 is top plan view of the container of FIG. 1; and,  
FIG. 5 is a bottom plan view of the container of FIG. 1.  
The broken lines shown in the figures depict environmental  
subject matter that forms no part of the claimed design.

**1 Claim, 3 Drawing Sheets**



(56)

References Cited

U.S. PATENT DOCUMENTS

2,834,533 A \* 5/1958 Carew ..... 229/402  
 3,057,536 A 10/1962 Warnsdorfer, Jr. et al.  
 3,128,029 A \* 4/1964 Price et al. .... 229/400  
 D198,721 S 7/1964 Eicholtz  
 3,186,850 A 6/1965 Roy  
 3,443,714 A \* 5/1969 Edwards ..... 220/671  
 D221,135 S \* 7/1971 Schorer et al. .... D7/531  
 D239,151 S \* 3/1976 Lundin ..... D7/523  
 4,039,435 A \* 8/1977 Narva ..... 206/217  
 4,061,782 A \* 12/1977 Baxter ..... 426/86  
 D265,462 S 7/1982 Andrulionis et al.  
 4,874,618 A 10/1989 Seaborne et al.  
 5,242,077 A 9/1993 Smith et al.  
 D397,915 S 9/1998 McNaughton  
 D400,763 S \* 11/1998 Taylor et al. .... D7/619.1  
 5,950,913 A 9/1999 Rea et al.  
 6,042,858 A 3/2000 Kairys  
 D433,327 S \* 11/2000 Lillelund et al. .... D9/428  
 6,263,923 B1 7/2001 Castillo  
 D473,788 S 4/2003 Chen et al.  
 D478,478 S \* 8/2003 Soohoo et al. .... D7/586  
 D482,240 S \* 11/2003 Soohoo et al. .... D7/584  
 D580,233 S \* 11/2008 Camarota et al. .... D7/619.1  
 D593,407 S \* 6/2009 Seo ..... D9/428  
 D617,043 S 6/2010 Patel et al.  
 D629,243 S 12/2010 Meyl et al.  
 D643,284 S 8/2011 Zomorodi et al.  
 D643,285 S 8/2011 Zomorodi et al.  
 D643,286 S 8/2011 Zomorodi et al.  
 D645,340 S \* 9/2011 Menard et al. .... D9/428

D646,968 S \* 10/2011 Ortiz et al. .... D9/429  
 D656,009 S 3/2012 Ortiz et al.  
 D656,010 S 3/2012 Ortiz et al.  
 D671,831 S \* 12/2012 Moreau ..... D9/428  
 8,336,732 B1 12/2012 Tobias  
 D676,284 S \* 2/2013 Pallotto ..... D7/629  
 D691,468 S \* 10/2013 Markoulis et al. .... D9/428  
 D691,469 S \* 10/2013 Mohler et al. .... D9/429  
 D710,686 S 8/2014 Gowens  
 8,851,314 B2 \* 10/2014 Hudson et al. .... 220/212  
 8,870,054 B2 \* 10/2014 Zhou ..... 229/101  
 2003/0222089 A1 12/2003 Hale  
 2005/0266122 A1 12/2005 Franceschi  
 2007/0193894 A1 8/2007 Macken et al.  
 2009/0092711 A1 4/2009 Ninh et al.  
 2009/0114650 A1 5/2009 Houston, Jr. et al.  
 2009/0258115 A1 10/2009 Minfray  
 2013/0108739 A1 \* 5/2013 Markoulis et al. .... 426/87

FOREIGN PATENT DOCUMENTS

JP 2002102068 4/2002  
 JP 10211953 7/2003  
 WO WO9523744 9/1995  
 WO WO2005037678 4/2005

OTHER PUBLICATIONS

International Search Report issued on Jan. 15, 2013 in International Application No. PCT/US2012/061854 (10 pgs.).  
 Specification and drawings of U.S. Appl. No. 29/404,933, filed Oct. 26, 2011 (9 pgs.).

\* cited by examiner

FIG. 1

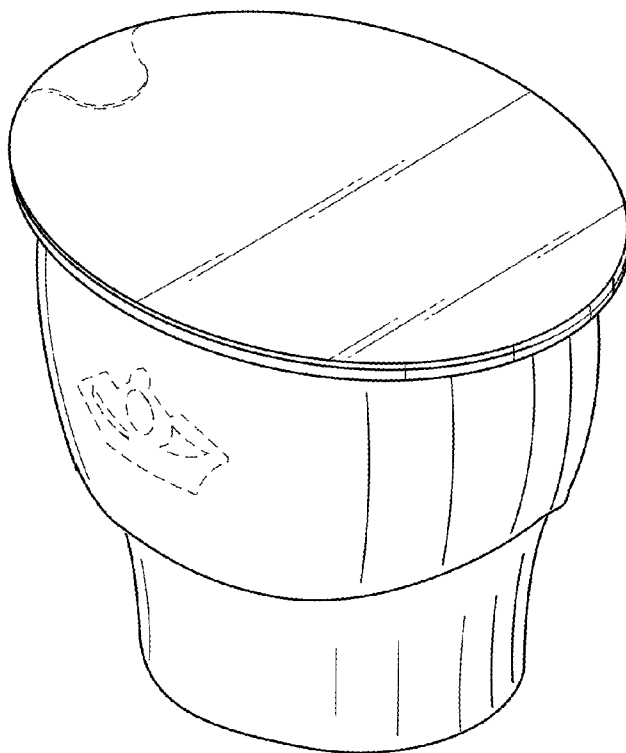
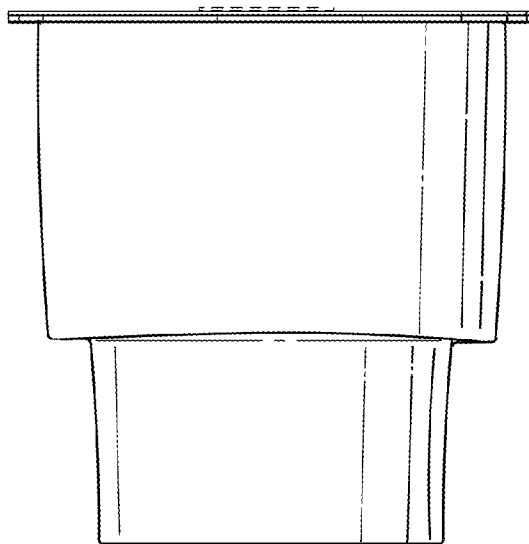
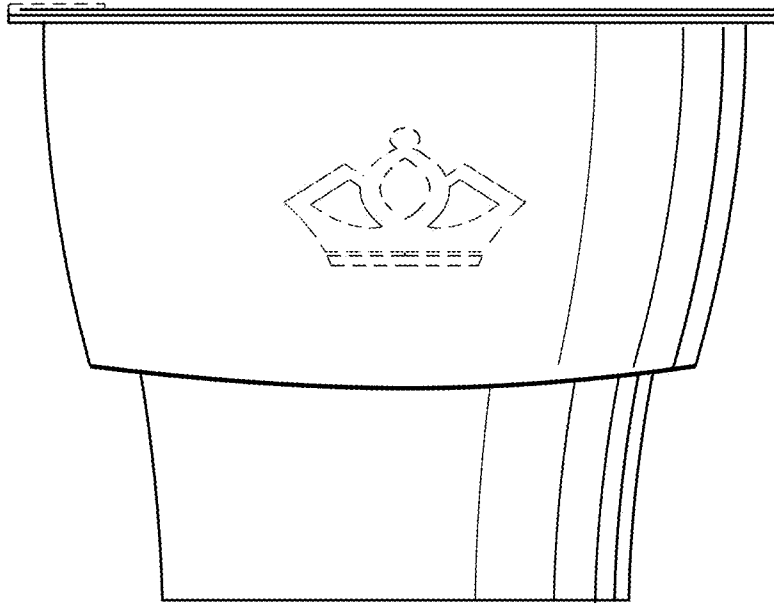


FIG. 2



**FIG. 3**



**FIG. 4**

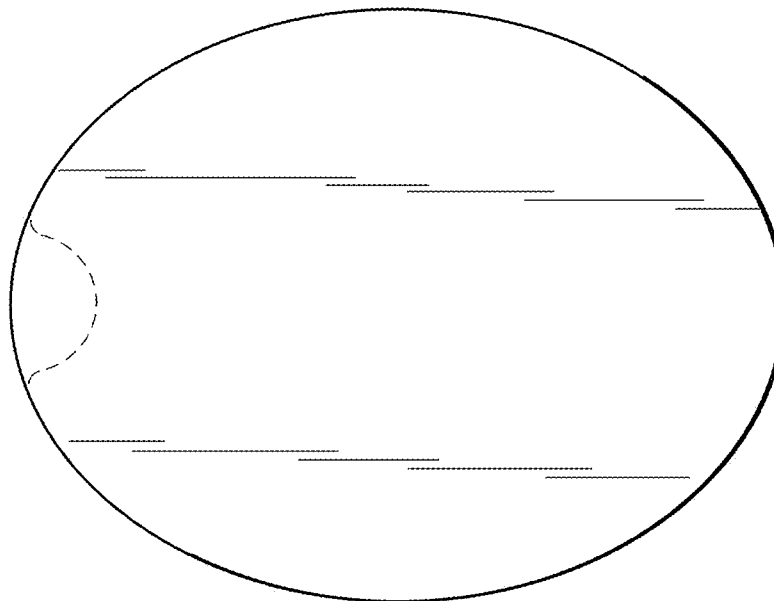


FIG. 5

