



US00D794358S

(12) **United States Design Patent**
Yamamoto

(10) **Patent No.:** **US D794,358 S**

(45) **Date of Patent:** **** Aug. 15, 2017**

- (54) **DESK**
- (71) Applicant: **Okamura Corporation**, Yokohama-shi, Kanagawa (JP)
- (72) Inventor: **Takayuki Yamamoto**, Yokohama (JP)
- (73) Assignee: **Okamura Corporation**, Kanagawa (JP)
- (**) Term: **15 Years**
- (21) Appl. No.: **29/560,670**
- (22) Filed: **Apr. 8, 2016**

- 5,931,488 A * 8/1999 Graziano A47B 13/00
108/127
- 6,647,900 B1 * 11/2003 Kopish A47B 21/06
108/115
- D536,193 S * 2/2007 Sapp D14/305
- D716,074 S * 10/2014 Kitajima D6/654.21
- D731,821 S * 6/2015 Hosoya D6/650
- 2002/0145088 A1* 10/2002 Santoro A47B 9/04
248/188.2
- 2015/0120238 A1* 4/2015 Marvit A47B 9/00
702/152
- 2016/0260019 A1* 9/2016 Riquelme Ruiz A47B 21/007

* cited by examiner

Primary Examiner — Rosemary K Tarcza

Assistant Examiner — Alison Ofstun

(74) *Attorney, Agent, or Firm* — Sughrue Mion, PLLC

(30) **Foreign Application Priority Data**

Oct. 19, 2015 (JP) 2015-023012

(51) **LOC (10) Cl.** **06-03**

(52) **U.S. Cl.**
USPC **D6/656**

(58) **Field of Classification Search**
USPC D6/641, 656, 698, 708, 656.13, 656.17
CPC A47B 9/12; A47B 21/00; A47B 21/02;
A47B 41/00; A47B 41/02; A47B 13/08;
A47B 2200/0001; A47B 7/00; A47B
7/02; A47B 9/00; A47B 13/02; A47B
9/20

See application file for complete search history.

(56) **References Cited**

U.S. PATENT DOCUMENTS

- D208,709 S * 9/1967 Barecki D16/232
- D311,833 S * 11/1990 Newhouse D6/656.16
- D334,103 S * 3/1993 Koguma D6/656.16
- D336,393 S * 6/1993 Saotome D6/656.17
- D339,481 S * 9/1993 Stephens D6/650
- 5,337,657 A * 8/1994 Diffrient A47B 3/00
108/115
- D372,812 S * 8/1996 Graziano D6/656.16
- D390,382 S * 2/1998 Schwartz D6/649

(57) **CLAIM**

The ornamental design for a desk, as shown and described.

DESCRIPTION

FIG. 1 is a perspective view of a desk.
 FIG. 2 is a front elevation view thereof.
 FIG. 3 is a rear elevation view thereof.
 FIG. 4 is a right side elevation view thereof. A left side elevation view is a mirror image of the right side elevation view.
 FIG. 5 is a top plan view thereof.
 FIG. 6 is a bottom plan view thereof.
 FIG. 7 is a cross-sectional view taken along the line 7-7 in FIG. 2.
 FIG. 8 is a cross-sectional view taken along the line 8-8 in FIG. 2; and,
 FIG. 9 is a perspective view of the desk shown in an alternate position.
 The broken lines shown in the drawings are included for the purpose of illustrating unclaimed portions of the desk, and form no part of the claimed design.

1 Claim, 9 Drawing Sheets

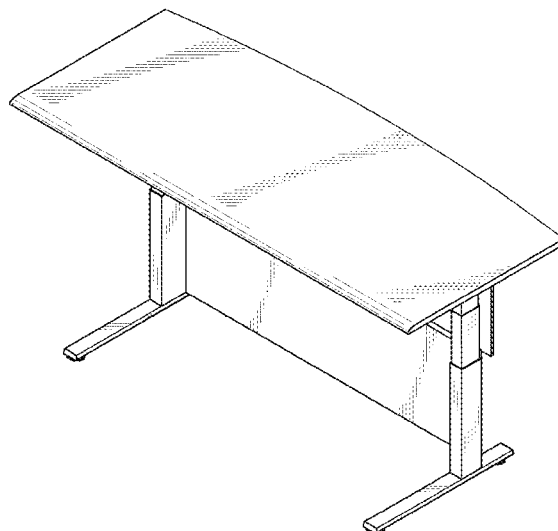


FIG. 1

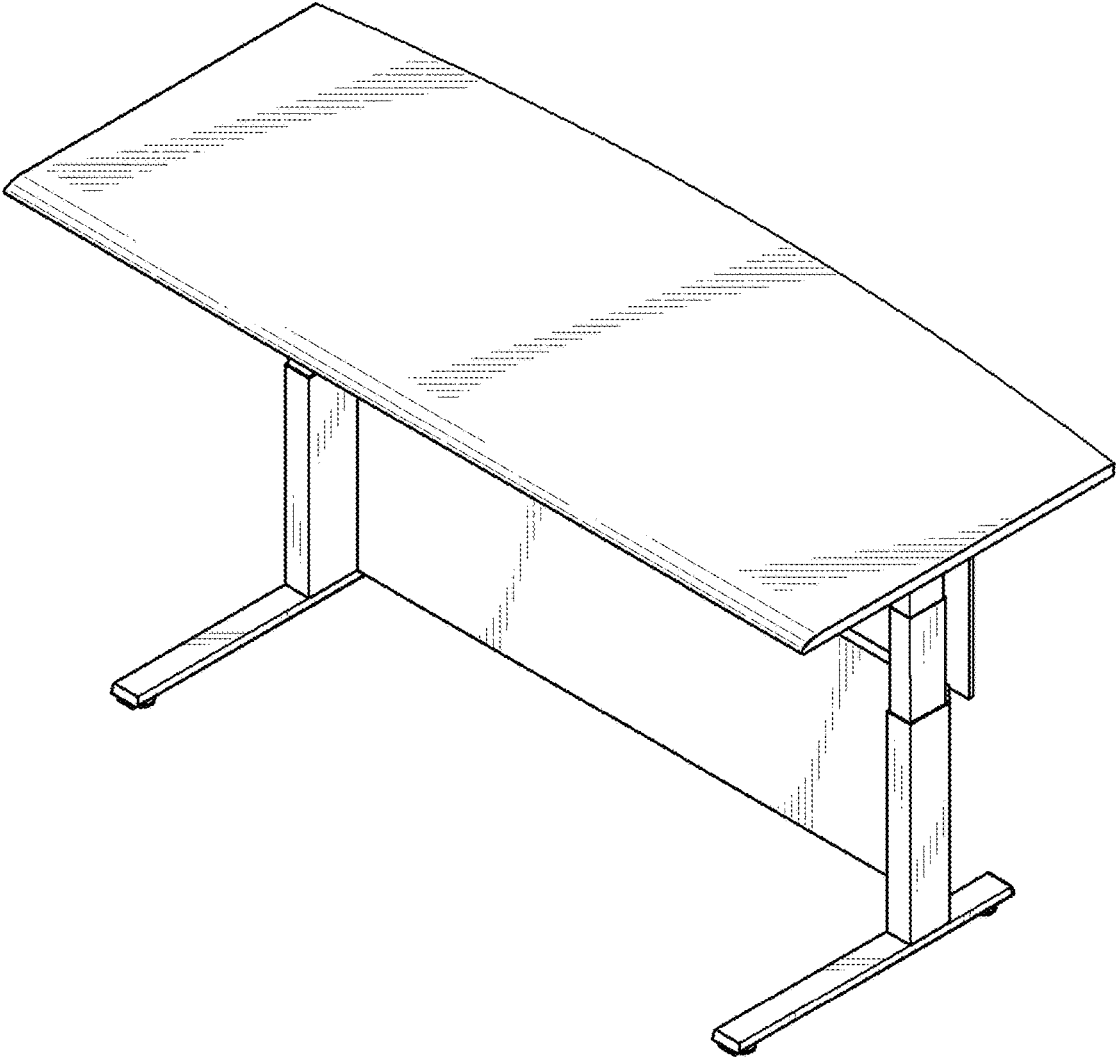


FIG. 2

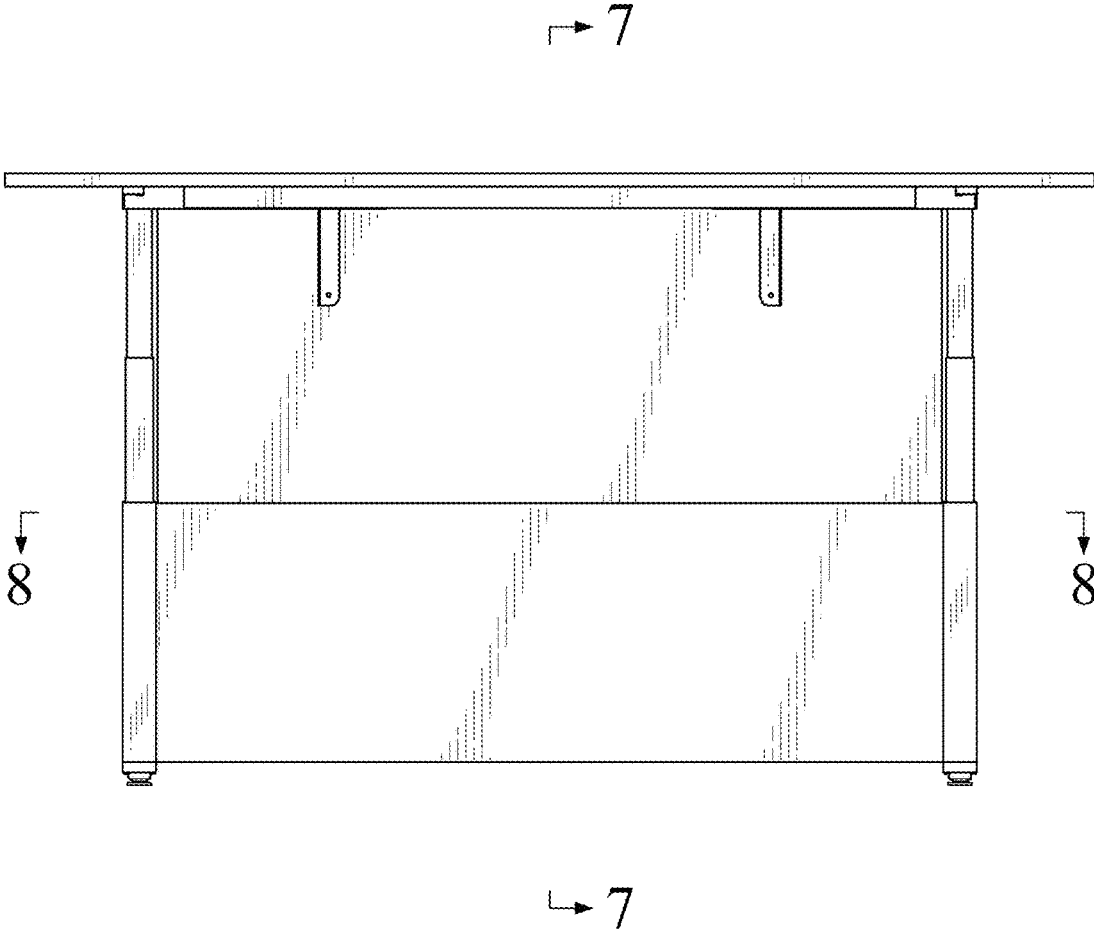


FIG. 3

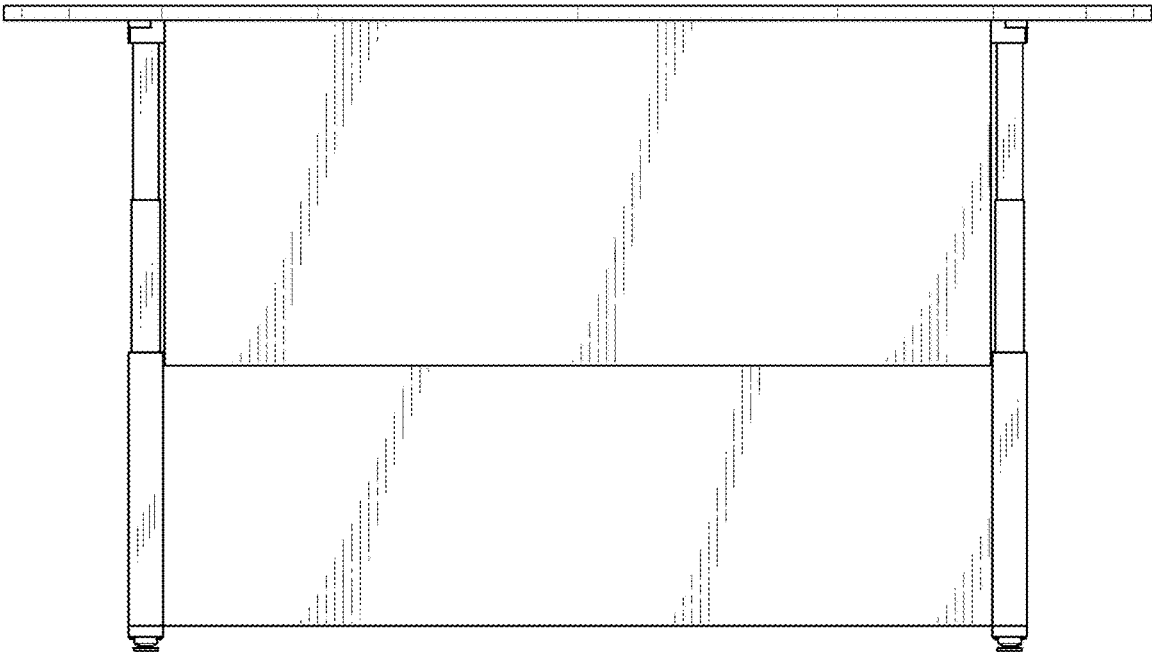


FIG. 4

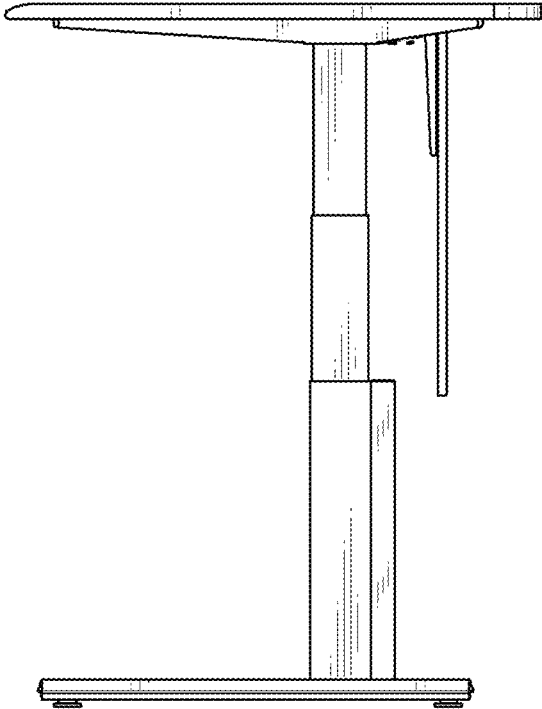


FIG. 5

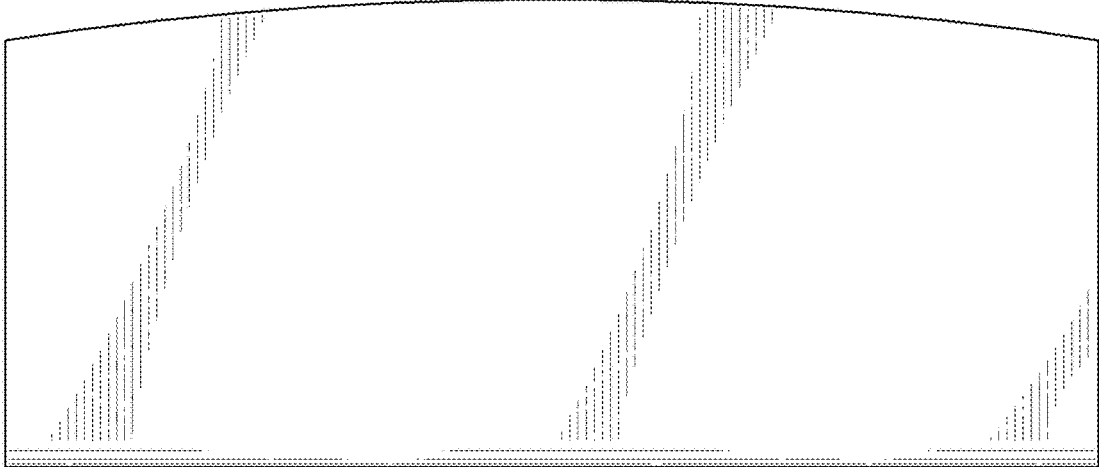


FIG. 6

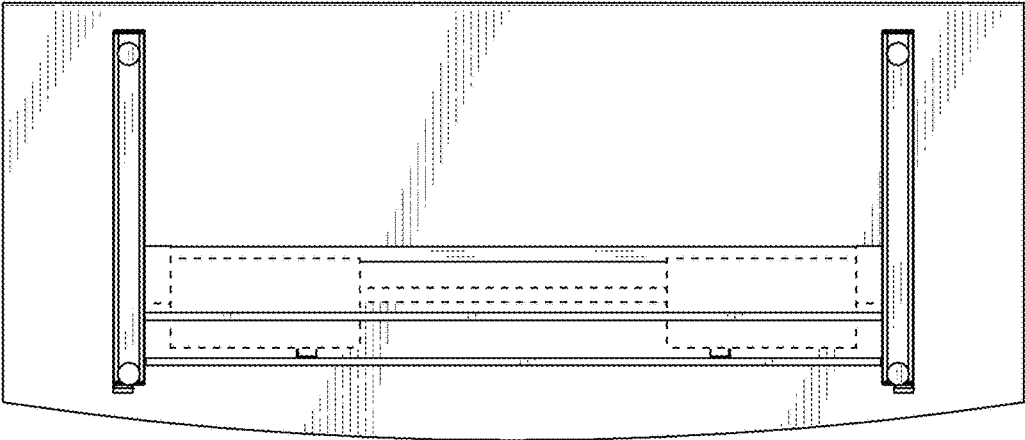


FIG. 7

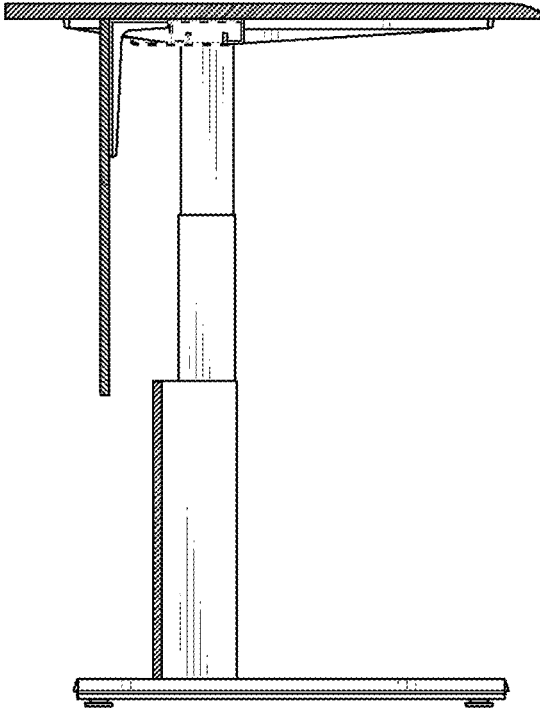


FIG. 8

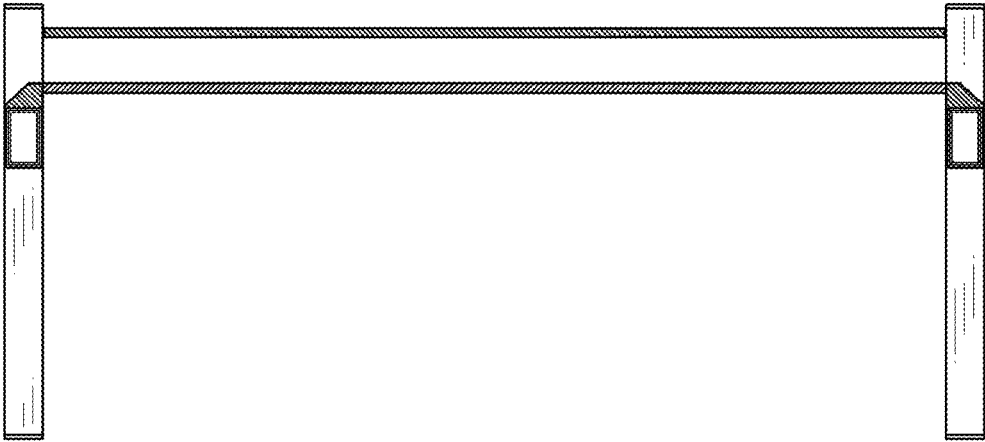


FIG. 9

