



US00D565225S

(12) **United States Design Patent**
Haugaard et al.

(10) **Patent No.:** **US D565,225 S**

(45) **Date of Patent:** **** Mar. 25, 2008**

(54) **LIGHT FIXTURE WITH POST TOP MOUNTING**

D501,947 S * 2/2005 Haugaard et al. D26/71
D502,283 S * 2/2005 Haugaard et al. D26/118

(75) Inventors: **Eric J. Haugaard**, Kenosha, WI (US);
Russell S. Schultz, Racine, WI (US)

(73) Assignee: **Ruud Lighting, Inc.**, Racine, WI (US)

(**) Term: **14 Years**

(21) Appl. No.: **29/259,586**

(22) Filed: **May 11, 2006**

(51) **LOC (8) Cl.** **26-05**

(52) **U.S. Cl.** **D26/67**

(58) **Field of Classification Search** D26/60,
D26/67-72, 75-78, 85, 24; 362/102, 240,
362/157-159, 183, 101, 431, 367, 426

See application file for complete search history.

(56) **References Cited**

U.S. PATENT DOCUMENTS

1,970,829	A *	8/1934	Wise	362/282
D170,877	S *	11/1953	Loehr	D26/71
4,434,456	A *	2/1984	Taylor	362/374
D290,409	S *	6/1987	Gendron et al.	D26/67
D343,022	S *	1/1994	Solberg et al.	D26/68
D358,898	S *	5/1995	Compton	D26/67
6,402,352	B1 *	6/2002	Summerford et al.	362/426
D501,057	S *	1/2005	Haugaard et al.	D26/71
D501,946	S *	2/2005	Haugaard et al.	D26/71

OTHER PUBLICATIONS

U.S. Appl. No. 29/259,585, filed May 11, 2006, Haugaard et al.

U.S. Appl. No. 29/259,587, filed May 11, 2006, Haugaard et al.

* cited by examiner

Primary Examiner—Clare E Heflin

(74) *Attorney, Agent, or Firm*—Jansson Shupe & Munger Ltd.

(57) **CLAIM**

The ornamental design for a light fixture with post top mounting, as shown and described.

DESCRIPTION

FIG. 1 is a top perspective view.

FIG. 2 is a bottom perspective view.

FIG. 3 is a right side elevation view, the left side being a mirror image.

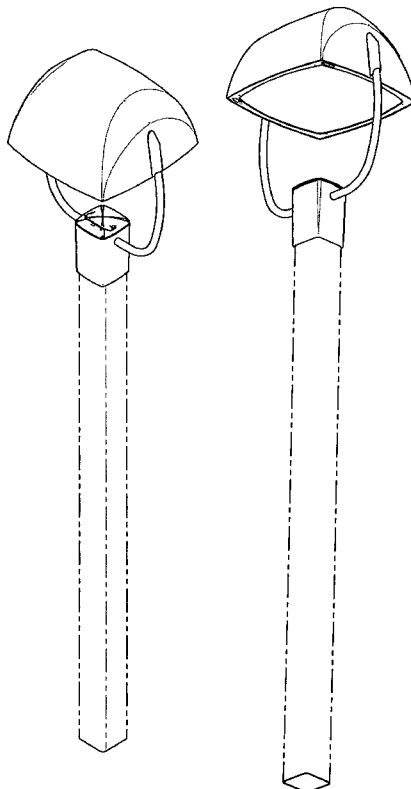
FIG. 4 is a front elevation view.

FIG. 5 is a bottom plan view; and,

FIG. 6 is a top plan view.

The broken lines are provided for illustrative purposes only and form no part of the claimed design.

1 Claim, 3 Drawing Sheets



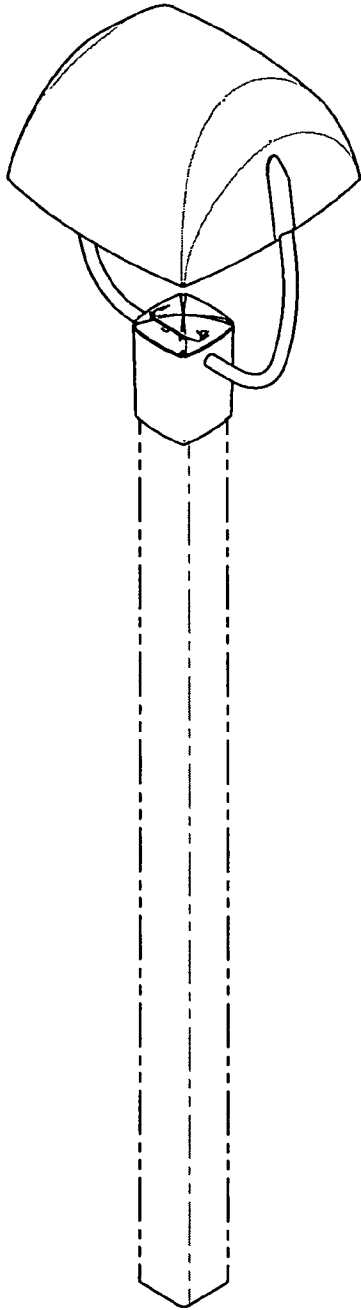


Fig. 1

Fig. 2

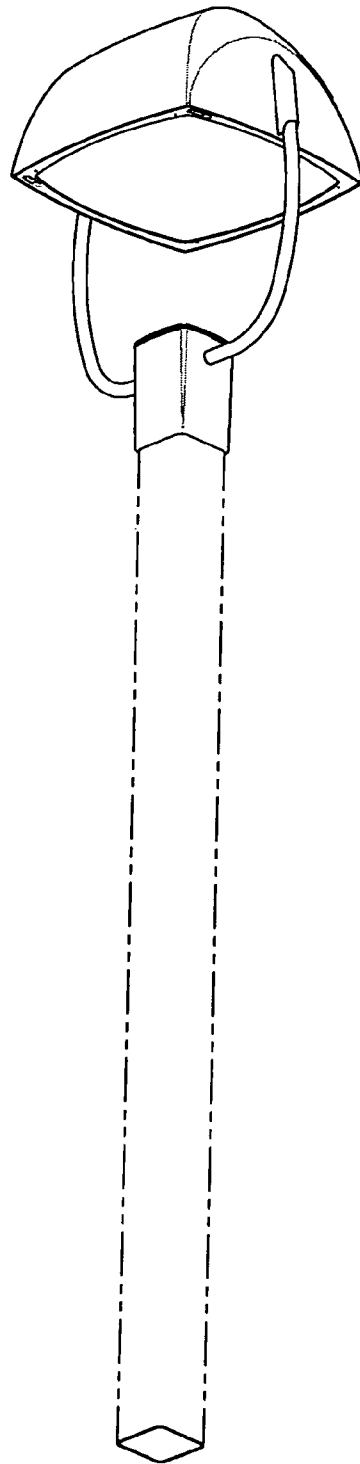


Fig. 3

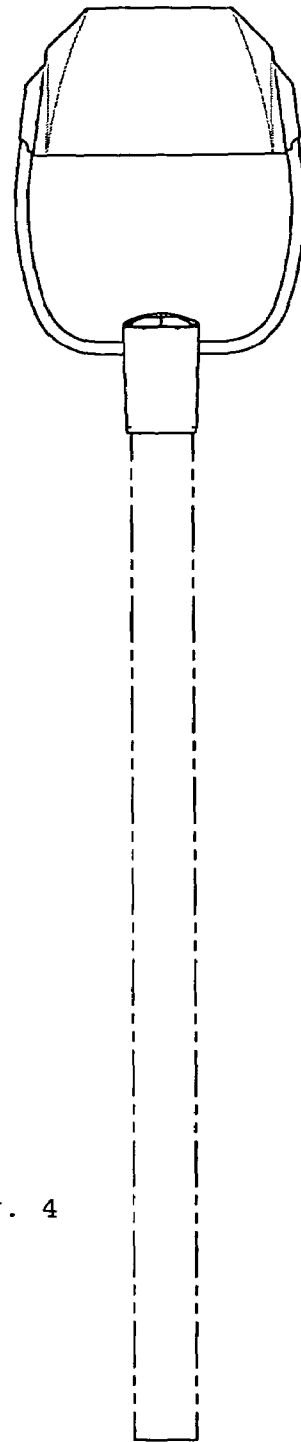
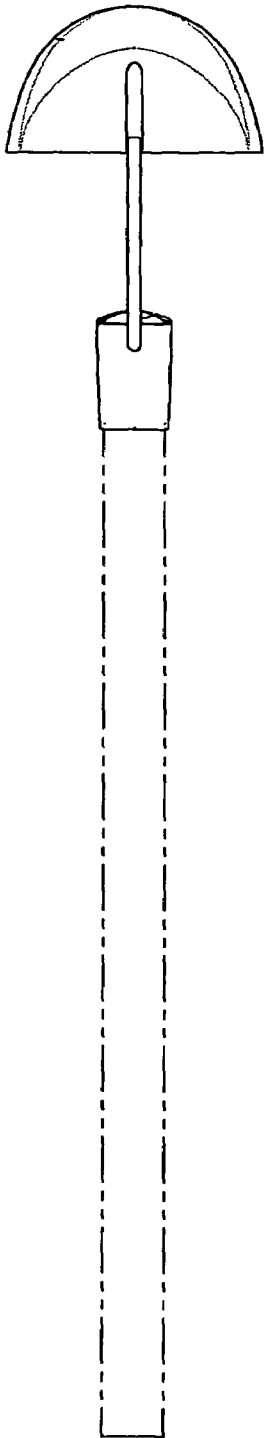


Fig. 4

Fig. 5

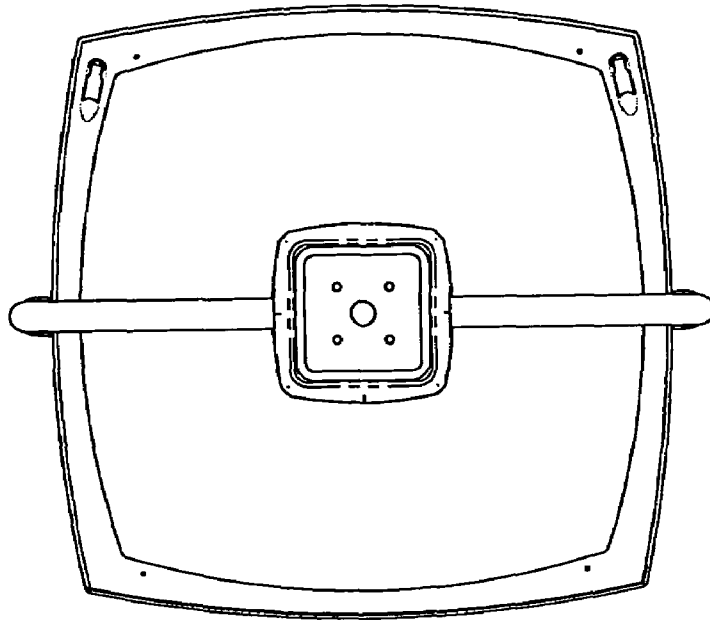


Fig. 6

